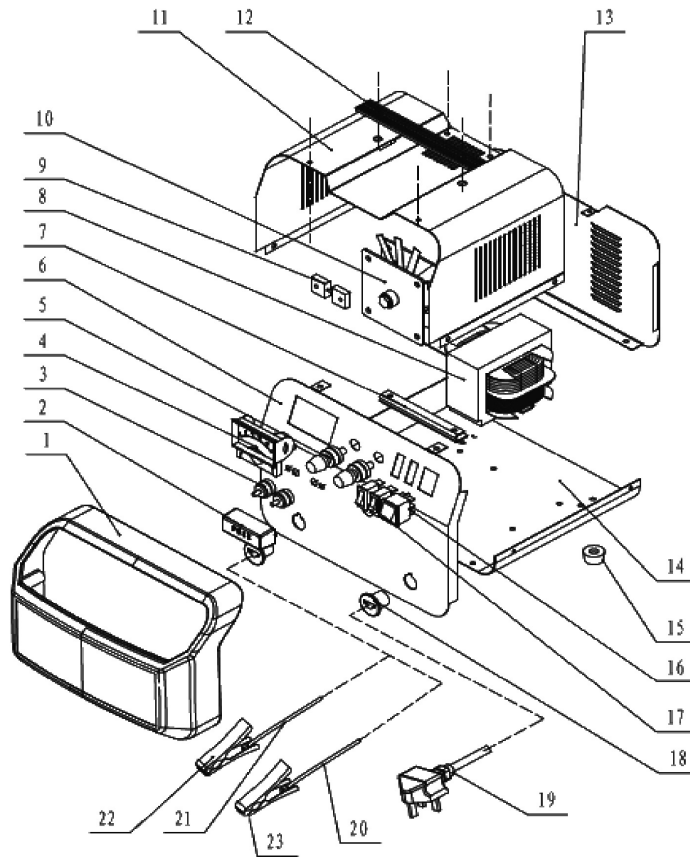




SPARE PARTS LISTING & DRAWING SHEET FOR
**12/24V 120 Amp
 Battery Charger/Starter**

Stock No.25354

Part No.BCSD130



KEY No.	PART No.	STOCK No.	DESCRIPTION
1	BCSD130-1	25950	Front plastic cover.
2	BCSD130-2	25951	Fuse cover.
3	BCSD130-3	25952	Fuse terminal.
4	BCSD130-4	25954	Ammeter.
5	BCSD130-5	25955	Cable terminal.
6	BCSD130-6	25956	Front panel.
7	BCSD130-7	25957	Bracket.
8	BCSD130-8	25977	Main transformer.
9	BCSD130-9	25978	Current divider.
10	BCSD130-10	25980	Rectifier.
11	BCSD130-11	25981	Upper case cover.
12	BCSD130-12	25982	Carry strap.

KEY No.	PART No.	STOCK No.	DESCRIPTION
13	BCSD130-13	25983	Back plate.
14	BCSD130-14	25984	Base plate.
15	BCSD130-15	25985	Rubber pad.
16	BCSD130-16	25986	Power switch.
17	BCSD130-17	25990	Switch.
18	BCSD130-18	25991	Cable clamp.
19	BCSD130-19	25992	Power cord with plug.
20	BCSD130-20	25997	Red cable.
21	BCSD130-21	25998	Black cable.
22	BCSD130-22	26006	Battery clamp red.
23	BCSD130-23	26009	Battery clamp black.
24	BCSD130-24	26011	Fuse 50A.

Helpline: (023) 8049 4344. Sales Desk: (023) 8049 4333. General Enquiries: (023) 8026 6355.

DRAPER TOOLS LTD, HURSLEY ROAD, CHANDLER'S FORD, EASTLEIGH, HANTS. SO53 1YF. U.K. website: www.drapertools.com e-mail: sales@drapertools.com