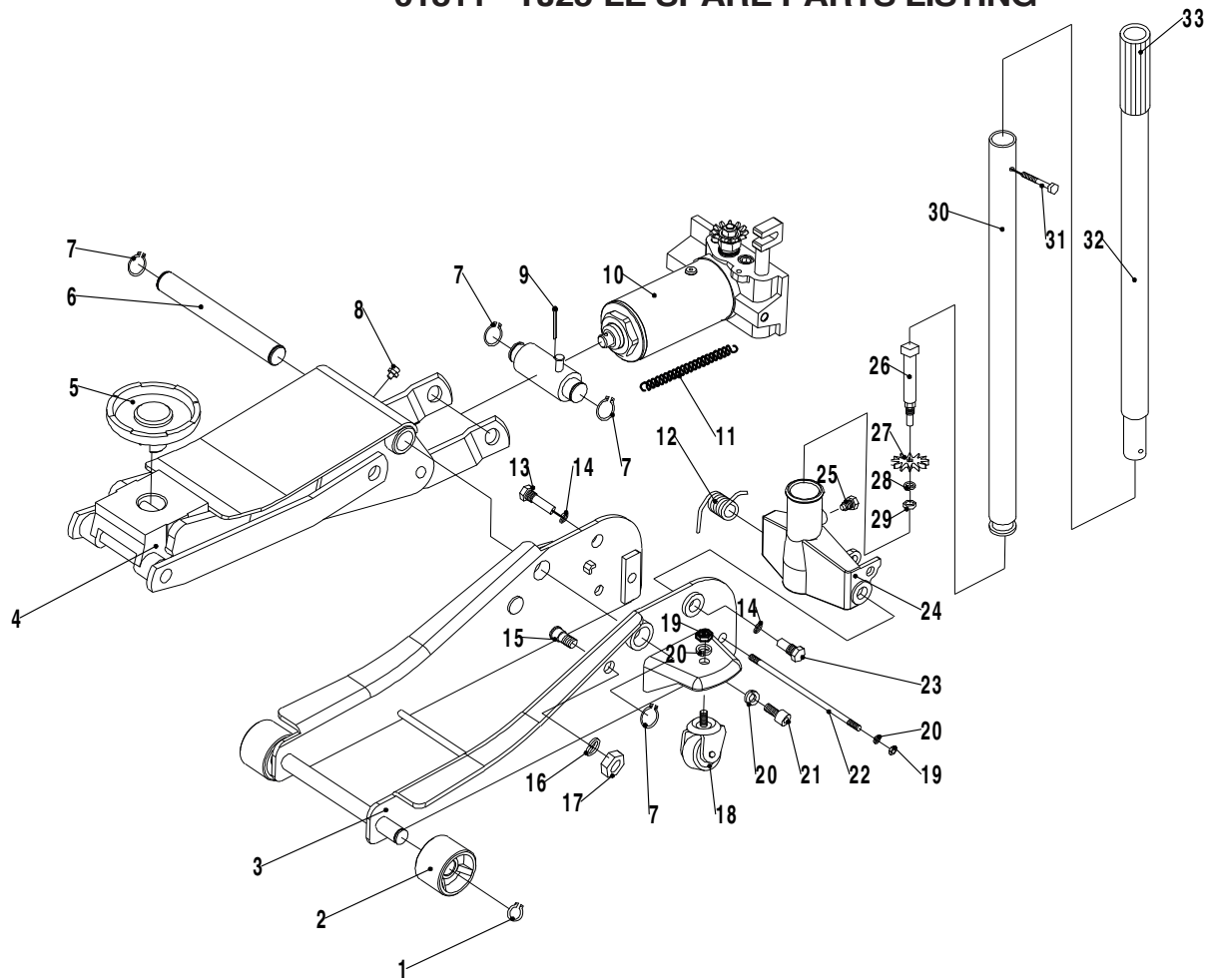


2.5 TONNE TROLLEY JACK

01811 - TJ25-LE SPARE PARTS LISTING



KEY No.	PART No.	STOCK No.	DESCRIPTION
1	YTJ25-LE-1	35825	Retaining Ring
2	YTJ25-LE-2	35827	Front Wheel
3	YTJ25-LE-3	35828	Main Frame
4	YTJ25-LE-4	35929	Lift Arm Assembly
5	YTJ25-LE-5	35830	Head Cap
6	YTJ25-LE-6	35832	Lift Arm Shaft
7	YTJ25-LE-7	35833	Retaining Ring
8	YTJ25-LE-8	35834	M6 Oil Nozzle
9	YTJ25-LE-9	35836	Cotter Pin 4x45mm
10	YTJ25-LE-10	35837	Hydraulic Ram Assembly
11	YTJ25-LE-11	35838	Spring
12	YTJ25-LE-12	35840	Torsional Spring
13	YTJ25-LE-13	35841	Bolt For Handle Socket
14	YTJ25-LE-14	35842	Spring Washer
15	YTJ25-LE-15	35843	Bolt For Link Rod
16	YTJ25-LE-16	35844	Spring Washer
17	YTJ25-LE-17	35845	M16 Nut

KEY No.	PART No.	STOCK No.	DESCRIPTION
18	YTJ25-LE-18	35846	Rear Castor Wheel
19	YTJ25-LE-19	35848	M12 Nut
20	YTJ25-LE-20	35849	Spring Washer
21	YTJ25-LE-21	35850	M12x25 Inner Hexagon Screw
22	YTJ25-LE-22	35851	Reforcing Spindle
23	YTJ25-LE-23	35852	Bolt For Handle Socket
24	YTJ25-LE-24	35853	Handle Socket
25	YTJ25-LE-25	35854	M12 Handle Socket Screw
26	YTJ25-LE-26	35856	Gear Shaft
27	YTJ25-LE-27	35857	Flat Gear
28	YTJ25-LE-28	35858	Spring Washer
29	YTJ25-LE-29	35859	M10 Nut
30	YTJ25-LE-30	35860	Lower Handle Section
31	YTJ25-LE-31	35861	M6x35 Handle Screw
32	YTJ25-LE-32	35862	Upper Handle Section
33	YTJ25-LE-33	35863	Handle Cover