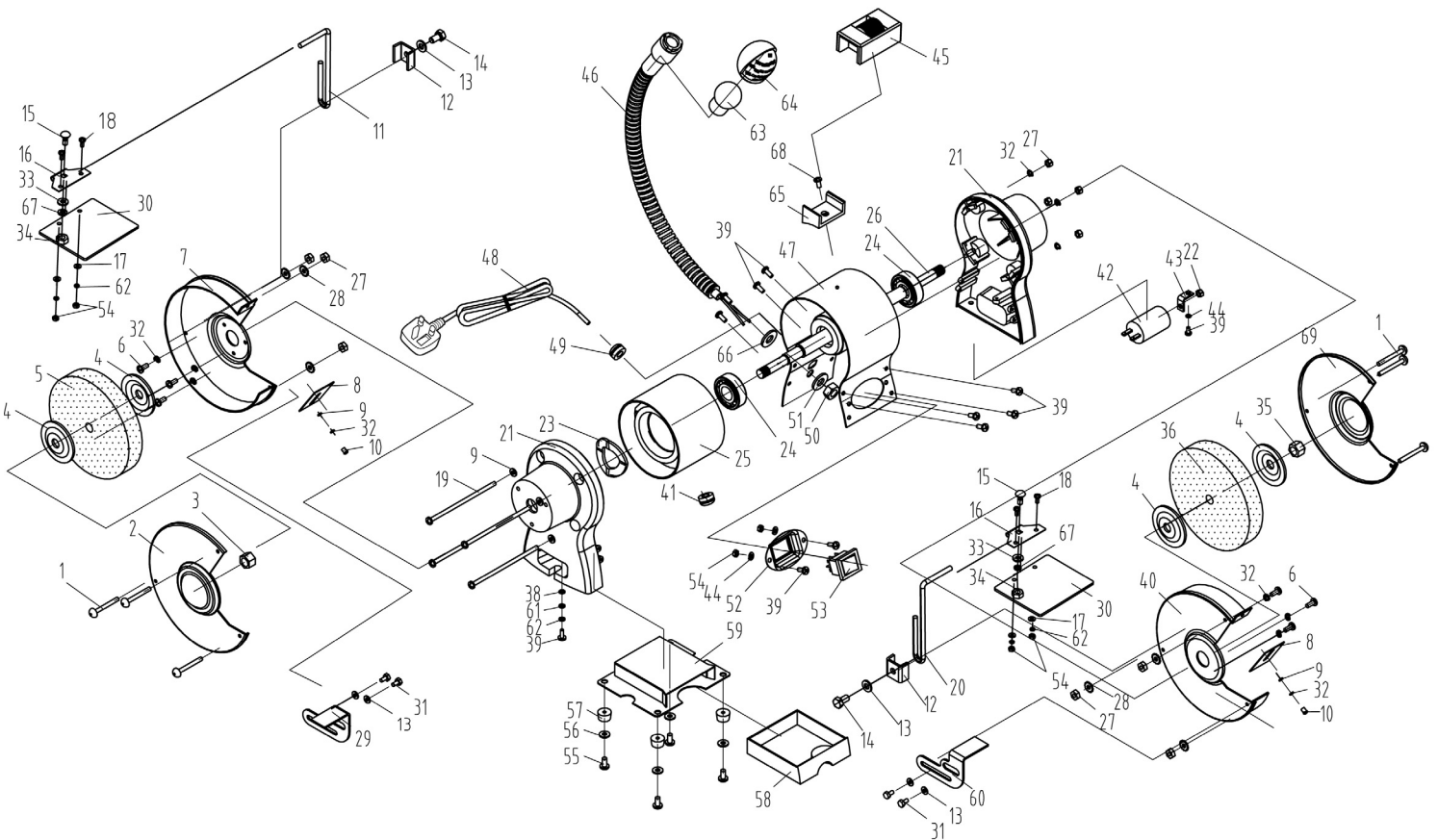


DRAPER®

SPARE PARTS LISTING & DRAWING SHEET FOR 150mm 350W Bench Grinder with Worklight

Stock No.05095

Part No.GD625L



| KEY No. | PART No. | STOCK No. | DESCRIPTION |
|---------|------------|-----------|--------------------------|
| 1 | YGD625L-1 | 05257 | Screw. |
| 2 | YGD625L-2 | 05258 | Left hand wheel cover. |
| 3 | YGD625L-3 | 05259 | Nut. |
| 4 | YGD625L-4 | 05261 | Wheel clamp flange. |
| 5 | AG150 | 09506 | Grinding wheel – coarse. |
| 6 | YGD625L-6 | 05262 | Screw. |
| 7 | YGD625L-7 | 05263 | Left guard. |
| 8 | YGD625L-8 | 05264 | Spark deflector. |
| 9 | YGD625L-9 | 05265 | Washer. |
| 10 | YGD625L-10 | 05266 | Screw. |

| KEY No. | PART No. | STOCK No. | DESCRIPTION |
|---------|------------|-----------|-------------------------|
| 11 | YGD625L-11 | 05267 | Left eyeshield rod. |
| 12 | YGD625L-12 | 05268 | Bracket. |
| 13 | YGD625L-13 | 05269 | Washer. |
| 14 | YGD625L-14 | 05270 | Bolt. |
| 15 | YGD625L-15 | 05271 | Bolt. |
| 16 | YGD625L-16 | 05272 | Plate. |
| 17 | YGD625L-17 | 05273 | Washer. |
| 18 | YGD625L-18 | 05274 | Screw. |
| 19 | YGD625L-19 | 05275 | Screw. |
| 20 | YGD625L-20 | 05276 | Right eyeshield holder. |

Helpline: (023) 8049 4344. Sales Desk: (023) 8049 4333. General Enquiries: (023) 8026 6355.

DRAPER TOOLS LTD, HURSLEY ROAD, CHANDLER'S FORD, EASTLEIGH, HANTS. SO53 1YF. U.K. internet: www.draper.co.uk e-mail: sales@drapertools.com

DRAPER[®]

SPARE PARTS LISTING SHEET FOR

150mm 350W Bench Grinder with Worklight

Stock No.05095

Part No.GD625L

| KEY No. | PART No. | STOCK No. | DESCRIPTION |
|---------|------------|-----------|------------------------|
| 21 | YGD625L-21 | 05277 | End bell. |
| 22 | YGD625L-22 | 05279 | Nut. |
| 23 | YGD625L-23 | 05280 | Wave spring washer. |
| 24 | YGD625L-24 | 05281 | Bearing. |
| 25 | YGD625L-25 | 05282 | Stator. |
| 26 | YGD625L-26 | 05283 | Rotor. |
| 27 | YGD625L-27 | 05284 | Nut. |
| 28 | YGD625L-28 | 05285 | Toothed lock washer. |
| 29 | YGD625L-29 | 05287 | Left tool rest. |
| 30 | YGD625L-30 | 05288 | Eyeshield. |
| 31 | YGD625L-31 | 05289 | Bolt. |
| 32 | YGD625L-32 | 05290 | Washer. |
| 33 | YGD625L-33 | 05291 | Washer. |
| 34 | YGD625L-34 | 05292 | Nut. |
| 35 | YGD625L-35 | 05293 | Nut. |
| 36 | AG150 | 09505 | Grinding wheel – fine. |
| 38 | YGD625L-38 | 05294 | Washer. |
| 39 | YGD625L-39 | 05295 | Screw. |
| 40 | YGD625L-40 | 05296 | Right safe guard. |
| 41 | YGD625L-41 | 05297 | Power cable bush. |
| 42 | YGD625L-42 | 05298 | Capacitor. |
| 43 | YGD625L-43 | 05299 | Capacitor support. |
| 44 | YGD625L-44 | 05300 | Washer. |
| 45 | YGD625L-45 | 05302 | Wheel dressing tool. |

| KEY No. | PART No. | STOCK No. | DESCRIPTION |
|---------|------------|-----------|---------------------|
| 46 | YGD625L-46 | 05303 | Lamp pipe. |
| 47 | YGD625L-47 | 05304 | Motor housing. |
| 48 | YGD625L-48 | 05305 | Plug and cable. |
| 49 | YGD625L-49 | 05306 | Cable clamp. |
| 50 | YGD625L-50 | 05307 | Nut. |
| 51 | YGD625L-51 | 05308 | Washer. |
| 52 | YGD625L-52 | 05309 | Switch plate. |
| 53 | YGD625L-53 | 05310 | Switch. |
| 54 | YGD625L-54 | 05311 | Nut. |
| 55 | YGD625L-55 | 05312 | Screw. |
| 56 | YGD625L-56 | 05313 | Washer. |
| 57 | YGD625L-57 | 05314 | Rubber foot. |
| 58 | YGD625L-58 | 05315 | Tool tray. |
| 59 | YGD625L-59 | 05316 | Base plate. |
| 60 | YGD625L-60 | 05317 | Right tool rest. |
| 61 | YGD625L-61 | 05318 | Washer. |
| 62 | YGD625L-62 | 05320 | Washer. |
| 63 | YGD625L-63 | 05321 | Bulb. |
| 64 | YGD625L-64 | 05322 | Lamp shade. |
| 65 | YGD625L-65 | 05323 | Wheel dresser base. |
| 66 | YGD625L-66 | 05324 | Washer. |
| 67 | YGD625L-67 | 05325 | Washer. |
| 68 | YGD625L-68 | 05326 | Screw. |
| 69 | YGD625L-69 | 05328 | Right wheel cover. |

Helpline: (023) 8049 4344. Sales Desk: (023) 8049 4333. General Enquiries: (023) 8026 6355.DRAPER TOOLS LTD, HURSLEY ROAD, CHANDLER'S FORD, EASTLEIGH, HANTS. SO53 1YF. U.K. internet: www.draper.co.uk e-mail: sales@drapertools.com