

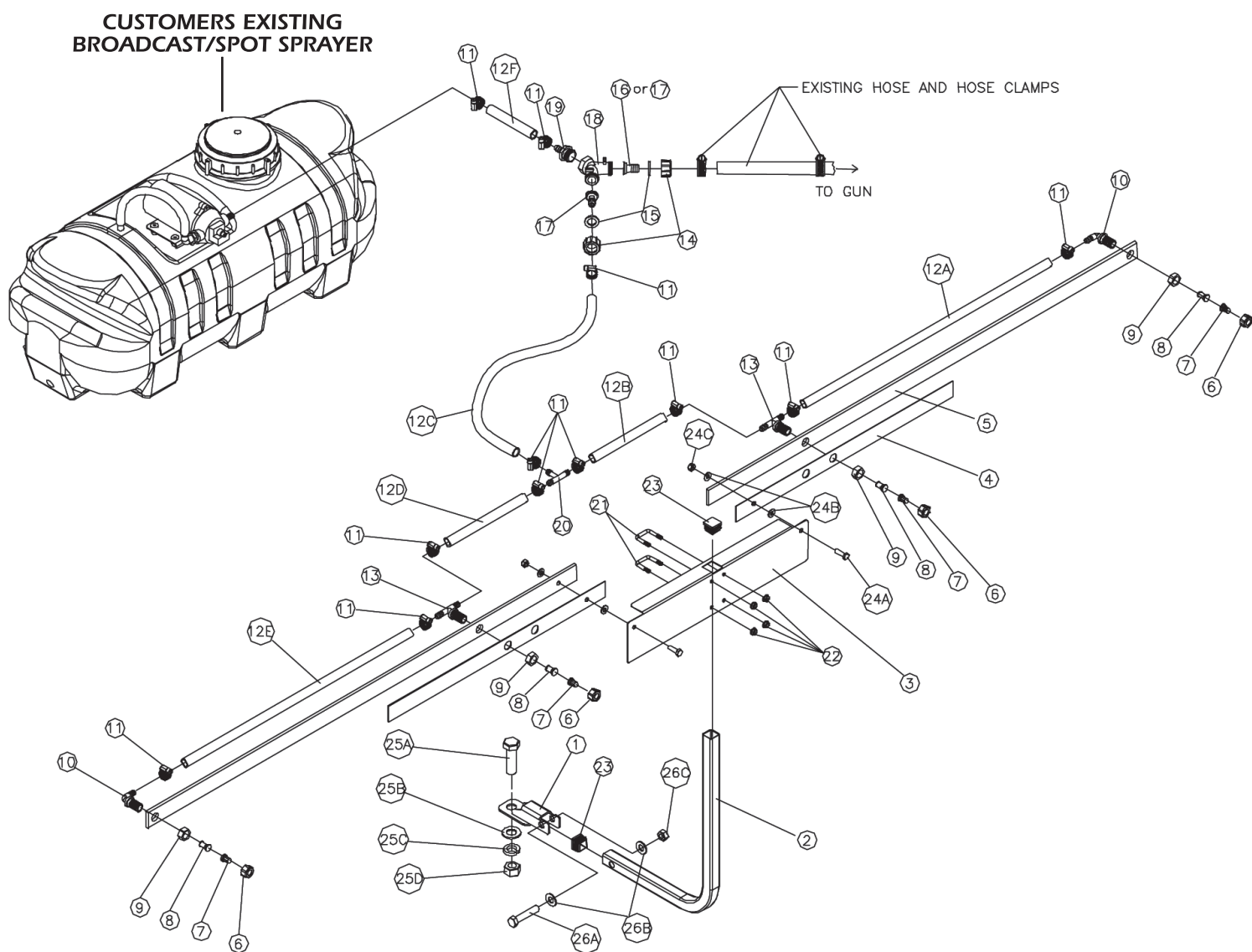


SPARE PARTS DRAWING SHEET FOR

# 2.7Metre ATV Boom Sprayer

Stock No.07572

Part No.BS45M



**Helpline: (023) 8049 4344. Sales Desk: (023) 8049 4333. General Enquiries: (023) 8026 6355.**

DRAPER TOOLS LTD, HURSLEY ROAD, CHANDLER'S FORD, EASTLEIGH, HANTS. SO53 1YF. U.K. internet: [www.draper.co.uk](http://www.draper.co.uk) e-mail: [sales@drapertools.com](mailto:sales@drapertools.com)



SPARE PARTS LISTING SHEET FOR

# 2.7 Metre ATV Boom Sprayer

Stock No.07572

Part No.BS45M

KEY No.	PART No.	STOCK No.	DESCRIPTION
1	Y786905	22548	Boom mount pivot, blue.
2	Y786906	22549	Boom upright, blue CS.
3	Y786907	22550	Boom mount plate, blue.
4	Y30310	22552	Boom arm support (CS).
5	Y30168	22553	1/4" x 1 1/2" x 47.5" Polycarbonate boom arm.
6	Y777853	22554	Swivel hex nut 1 1/16".
7	Y779987	22555	Boom nozzle.
8	Y38734	22556	Nozzle strainer - CS.
9	Y5230	22557	Nozzle nut.
10	Y5383	22558	1 1/16" MPT x 3/8" Hose barb elbow.
11	Y30746	22559	3/8" Hose clamp (CS).
12A	Y30290-12A	22560	3/8" Outside boom hose.
12B	Y30290-12B	22561	3/8" Centre boom hose.
12C	Y30290-12C	22562	3/8" Boom supply hose.
12D	Y30290-12D	22563	3/8" Centre boom hose.
12E	Y30290-12E	22564	3/8" Outside boom hose.
12F	Y30290-12F	22566	3/8" Supply hose.
13	Y5382	22567	1 1/16" x MPS x 3/8" Barb.
14	Y777850	22570	3/4" Threaded swivel nut.

KEY No.	PART No.	STOCK No.	DESCRIPTION
15	Y5232	22571	Rubber washer.
16	Y5212	22572	1/2" Flat seat hose bar.
17	Y5380	22573	3/8" Flat seat hose barb.
18	Y777849	22574	3 Way ball valve.
19	Y5387	22575	3/4" MGHT x 3/8" barb.
20	Y5329	22576	3/8" Hose barb insert tee.
21	Y82145	22578	1/4" x 1.31 x 1.38 Sq. bend.
22	Y82013	22579	1/4" - 20 Flange nut.
23	Y777657	22580	1" x 1" Tube plug.
24A	Y82091	22581	5/16" - 18 x 1 Hex head bolt.
24B	Y82021	22582	5/16" Flat washer.
24C	Y82020	22583	5/16" - 18 Nyloc nut.
25A	Y82039	22584	3/4" - 10 x 2 1/2" Flange bolt.
25B	Y82042	22586	3/4" Flat washer.
25C	Y82041	22587	3/4" Lock washer.
25D	Y82040	22588	3/4" - 10 Finished hex nut.
26A	Y82035	22589	1/2" - 13 x 2 1/2" Flange bolt.
26B	Y82038	22590	1/2" Flat washer.
26C	Y82036	22591	1/2" - 13 Hex nut.

**Helpline: (023) 8049 4344. Sales Desk: (023) 8049 4333. General Enquiries: (023) 8026 6355.**

DRAPER TOOLS LTD, HURSLEY ROAD, CHANDLER'S FORD, EASTLEIGH, HANTS. SO53 1YF. U.K. internet: www.draper.co.uk e-mail: sales@drapertools.com