

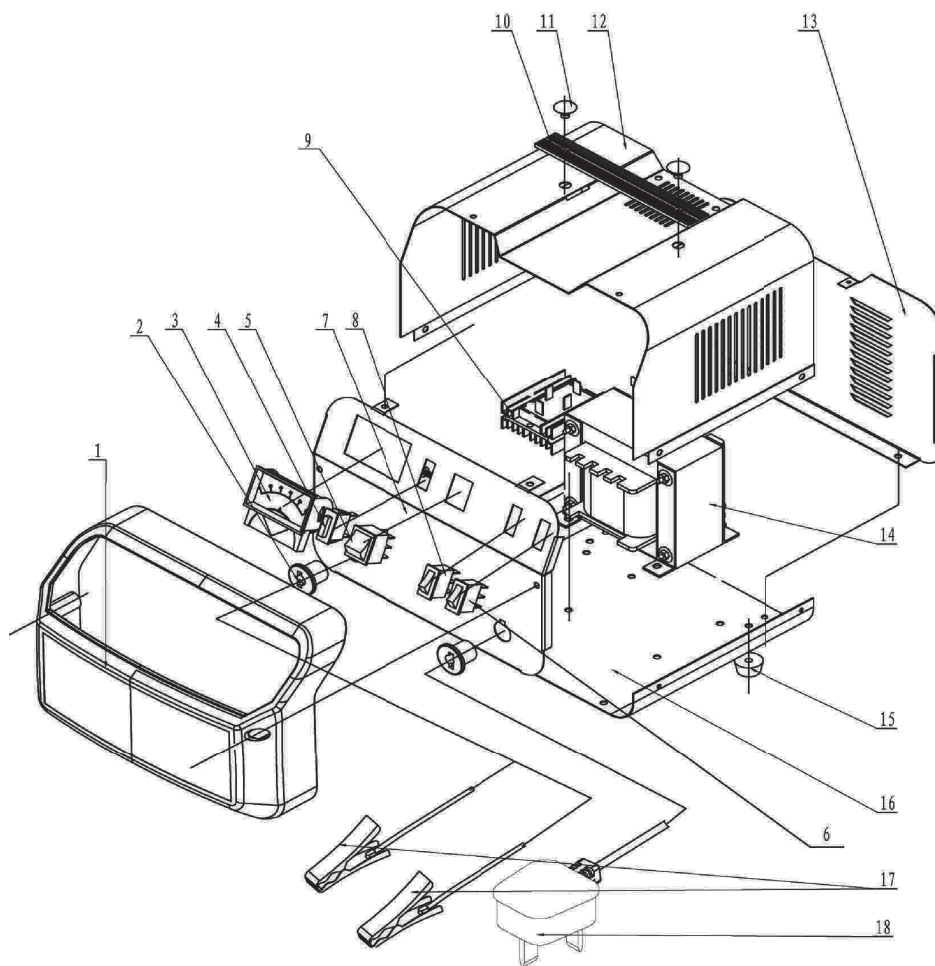


SPARE PARTS LISTING & DRAWING SHEET FOR

12/24V 11 Amp Battery Charger

Stock No.11953

Part No.BCD12



KEY No.	PART No.	STOCK No.	DESCRIPTION
1	MAX-20-1	12101	Plastic case.
2	MAX-20-2	12102	Pull off connector.
3	MAX-20-3	12103	Ampere meter.
4	MAX-20-4	12104	Output fuse base.
5	MAX-20-5	12105	Switch.
6	MAX-20-19	12119	On/off switch.
7	MAX-20-7	12107	Front panel.
8	MAX-20-8	12108	Switch.
9	MAX-20-9	12109	Rectifier bridge.

KEY No.	PART No.	STOCK No.	DESCRIPTION
10	MAX-20-10	12110	Handle.
11	MAX-20-11	12111	Handle fixings.
12	MAX-20-12	12112	Top cover.
13	MAX-20-13	12113	Back panel.
14	MAX-20-14	12114	Transformer.
15	MAX-20-15	12115	Base foot.
16	MAX-20-16	12116	Base board.
17	MAX-20-17	12117	Cable clamp.
18	MAX-20-18	12118	Plug & cable.

Helpline: (023) 8049 4344. Sales Desk: (023) 8049 4333. General Enquiries: (023) 8026 6355.

DRAPER TOOLS LTD, HURSLEY ROAD, CHANDLER'S FORD, EASTLEIGH, HANTS. SO53 1YF U.K. internet: www.draper.co.uk e-mail: sales@drapertools.com