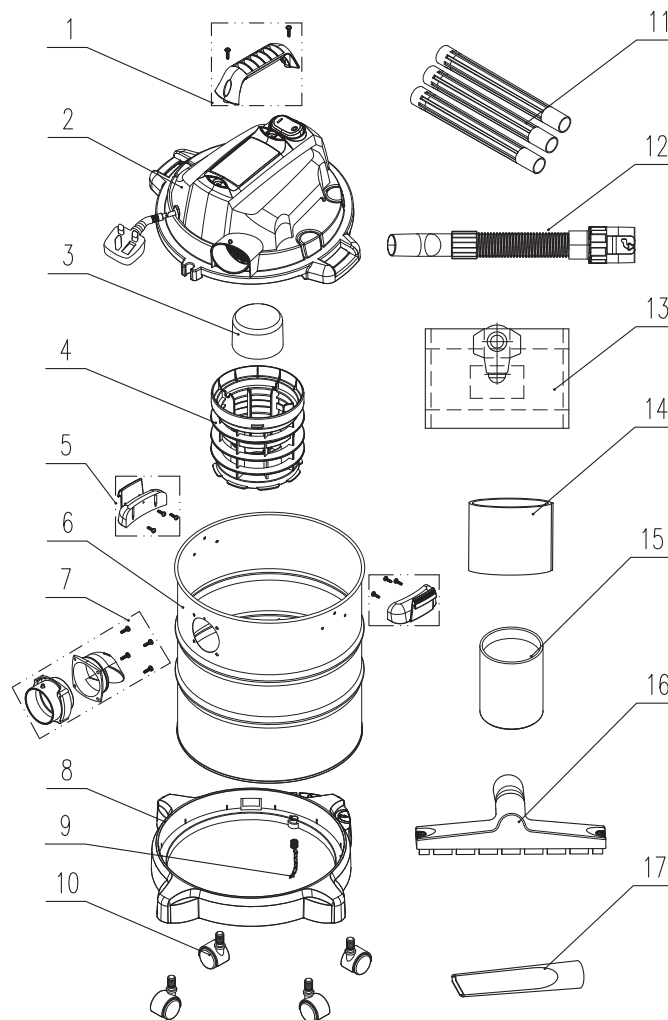


DRAPER®

SPARE PARTS LISTING & DRAWING SHEET FOR 20L 1250W 230V Wet & Dry Vacuum Cleaner

Stock No.13785

Part No.WDV20ASS



KEY No.	PART No.	STOCK No.	DESCRIPTION
1	YWDV20ASS-01	19115	Handle.
2	YWDV20ASS-02	19117	Power head (UK plug 3.5m cable).
3	YWDV20ASS-03	19118	Cup.
4	YWDV20ASS-04	19119	Filter cage.
5	YWDV20ASS-05	19136	Latch.
6	YWDV20ASS-06	19140	20L tank.
7	YWDV20ASS-07	19143	Hose connector.
8	YWDV20ASS-08	19144	Base.
9	YWDV20ASS-09	19155	Earth connector.

KEY No.	PART No.	STOCK No.	DESCRIPTION
10	YWDV20ASS-10	19157	Castor.
11	AVC93	06954	Plastic extension tube.
12	AVC116	19104	1.5M hose.
13	AVC115	19103	20L dust bag.
14	AVC117	19108	Foam sleeve.
15	AVC118	19109	Dust filter.
16	AVC119	19113	Floor head.
17	AVC86	06946	Crevice tool.

Helpline: (023) 8049 4344. Sales Desk: (023) 8049 4333. General Enquiries: (023) 8026 6355.

DRAPER TOOLS LTD, HURSLEY ROAD, CHANDLER'S FORD, EASTLEIGH, HANTS. SO53 1YF. U.K. website: www.drapertools.com e-mail: sales@drapertools.com

DKDH150513