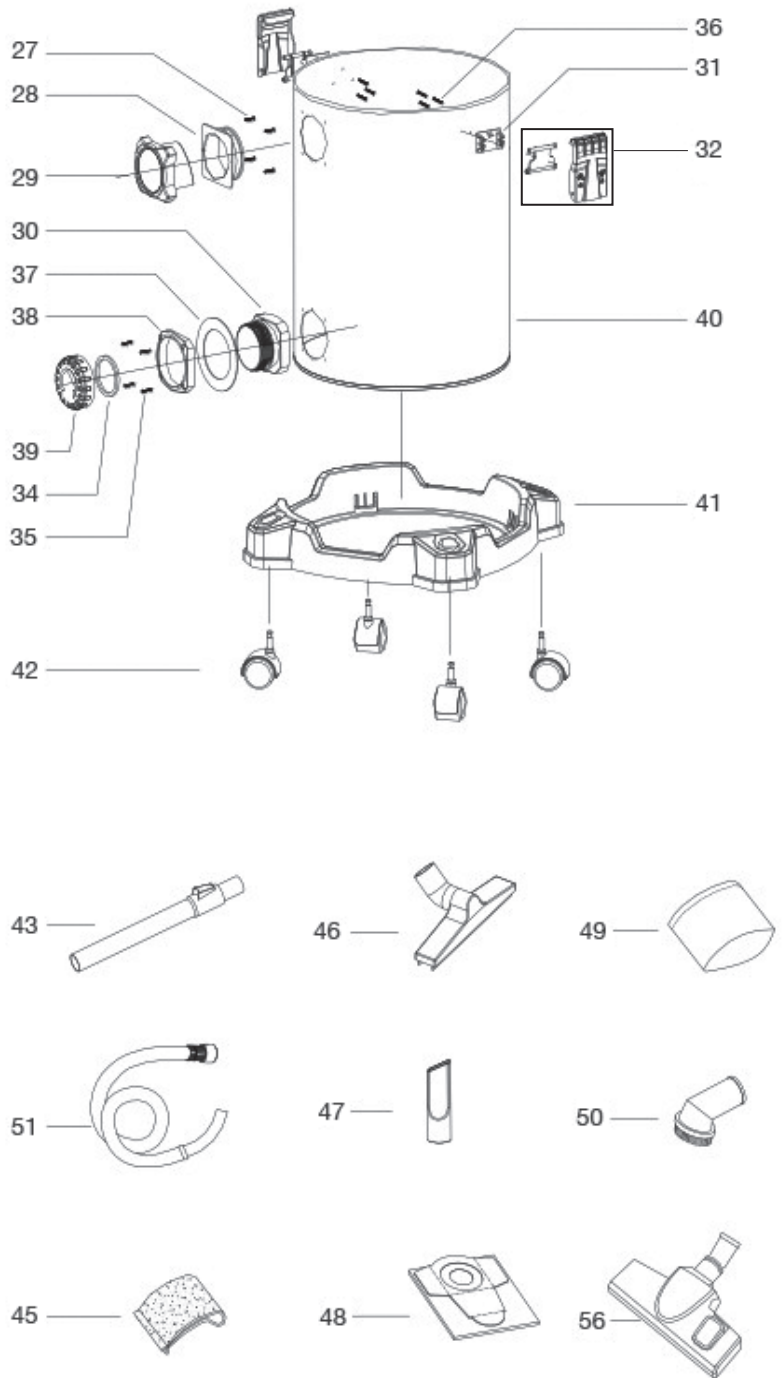
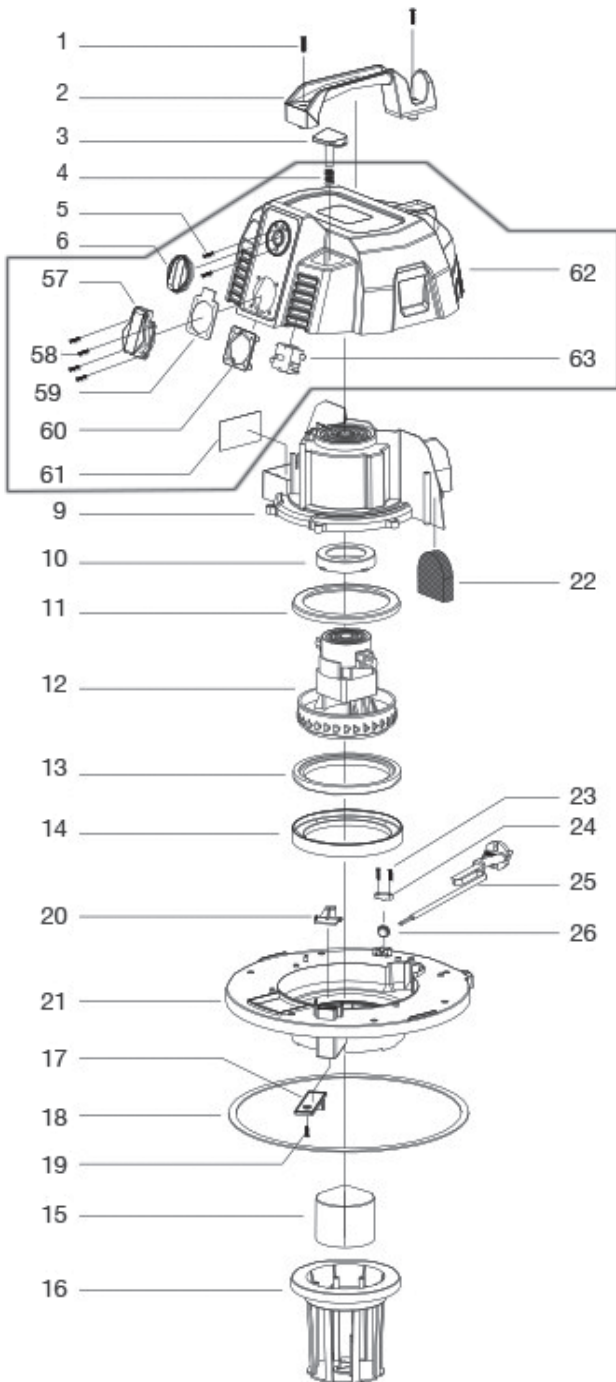




230V 30L WET AND DRY VACUUM CLEANER 20529

SPARE PARTS DRAWING SHEET



Helpline: (023) 8049 4344. Sales Desk: (023) 8049 4333. General Enquiries: (023) 8026 6355.

DRAPER TOOLS LTD, HURSLEY ROAD, CHANDLER'S FORD, EASTLEIGH, HANTS. SO53 1YF. U.K website: drapertools.com e-mail: sales@drapertools.com

JLLJ0318



230V 30L WET AND DRY VACUUM CLEANER 20529

SPARE PARTS LISTING SHEET

KEY No.	PART No.	STOCK No.	DESCRIPTION
1	YWDV30SSB-1	67131	Screw
2	YWDV30SSB-2	67132	Handle
3	YWDV30SSB-3	67134	Push button
4	YWDV30SSB-4	67139	Button spring
5	YWDV30SSB-5	67240	Screw
6	YWDV30SSB-6	67294	Switch knob
9	YWDV30SSB-9	67441	Motor top cover
10	YWDV30SSB-10	67532	Motor cover
11	YWDV30SSB-11	67536	Motor top layering
12	YWDV30SSB-12	67537	Motor
13	YWDV30SSB-13	67538	Motor lower layering
14	YWDV30SSB-14	67540	Motor bush
15	YWDVSS-15	66461	Float
16	YWDVSS-16	66463	Filter support
17	YWDV30SSB-17	67651	Motor base cover
18	YWDV30SSB-18	67653	Seals
19	YWDV30SSB-19	67662	Screw
20	YWDV30SSB-20	67542	Inlet rocker
21	YWDV30SSB-21	67645	Motor base
22	YWDV30SSB-22	67684	Outlet sponge
23	YWDV30SSB-23	67687	Screw
24	YWDVSS-24	66641	Power cord plate
25	YWDV30SSB-25	67810	Power cord
26	YWDV30SSB-26	66768	Power cord sheathing
27	YWDV30SSB-27	67813	Screw
28	YWDVSS-28	66772	Suction connection plate
29	YWDVSS-29	66784	Suction connection
30	YWDV30SSB-30	67826	Drain port

KEY No.	PART No.	STOCK No.	DESCRIPTION
31	YWDVSS-31	66822	Clip base
32	YWDVSS-31A	02146	Clip
34	YWDV30SSB-34	67955	Gasket ring for drain port
35	YWDV30SSB-35	67987	Screw
36	YWDV30SSB-36	67996	Screw
37	YWDV30SSB-31	67827	Drain port gasket
38	YWDV30SSB-32	67840	Drain port plate
39	YWDV30SSB-33	67938	Drain port cover
40	YWDV30SSB-40	68052	Tank
41	YWDV30SSB-41	68056	Tank base
42	YWDV30SSB-42	68059	Wheel
43	AWDV30SSPA-43	68312	Retractable metal suction tube
45	AWDVSS-45	67818	Filter foam
46	AWDVSS-46	67819	Wet brush
47	AWDVSS-47	67999	Crevice tool
48	AWDV30SSB-48	68304	Paper dustbag x3
49	AWDVSS-49	68049	Cloth filter
50	AWDVSS-50	68301	Round brush
51	AWDV30SSB-51	68315	Hose
56	AWDV30SSPA-56	68316	Metal floor head
57	YWDV30SSPA-57	68071	Outlet
58	YWDV30SSPA-58	68072	Screw
59	YWDV30SSPA-59	68073	Outlet gasket
60	YWDV30SSPA-60	68089	Outlet platen
61	YWDV30SSPA-61	68094	PCB
62	YWDV30SSPA-62	68095	Top cover
63	YWDV30SSPA-63	68142	Switch

Helpline: (023) 8049 4344. Sales Desk: (023) 8049 4333. General Enquiries: (023) 8026 6355.