



SPARE PARTS LISTING SHEET FOR

1100W 230V 210mm Mitre Saw

Stock No.21307

Part No.MS210C

KEY No.	PART No.	STOCK No.	DESCRIPTION
1	YMS210C-01	37003	Screw
2	YMS210C-02	37016	End Cap
3	YMS210C-03	37047	Screw
4	YMS210C-04	37056	Brush Holder
5	YMS210C-05	37059	Carbon Brush
6	YMS210C-06	37060	Screw
7	YMS210C-07	37081	Spring Washer
8	YMS210C-08	37091	Washer
9	YMS210C-09	37122	Motor Housing
10	YMS210C-10	37123	Stator
11	YMS210C-11	37124	Screw
12	YMS210C-12	37125	Bearing Sleeve
13	YMS210C-13	37126	Bearing
14	YMS210C-14	37129	Armature
15	YMS210C-15	37130	Fan Baffle
16	YMS210C-16	37133	Lock Pin Cap
17	YMS210C-17	37141	O-ring
18	YMS210C-18	37143	Lock Pin
19	YMS210C-19	37168	Bearing
20	YMS210C-20	37170	Locknut
21	YMS210C-21	37173	Washer
22	YMS210C-22	37175	Rocker Arm
23	YMS210C-23	37182	Tapping Screw
24	YMS210C-24	37217	Lower Handle
26	YMS210C-26	37310	Cable Sheath
27	YMS210C-27	37319	Cord Press Plate
28	YMS210C-28	37322	Screw
30	YMS210C-30	37351	Upper Handle
31	YMS210C-31	37355	Screw
32	YMS210C-32	37356	Washer
33	YMS210C-33	37377	Spring Washer
34	YMS210C-34	37433	Screw
35	YMS210C-35	37434	Screw
36	YMS210C-36	37438	Terminal
37	YMS210C-37	37443	Trigger
38	YMS210C-38	37454	Trigger Spring

KEY No.	PART No.	STOCK No.	DESCRIPTION
39	YMS210C-39	37456	Capacitor
40	YMS210C-40	37463	Copper Sleeve
41	YMS210C-41	37474	Check Ring
42	YMS210C-42	37492	Gear
43	YMS210C-43	37501	Bearing
44	YMS210C-44	37543	Key
45	YMS210C-45	37551	Spindle
46	YMS210C-46	37552	C clip
47	YMS210C-47	37553	Gear Box Cover
48	YMS210C-48	37554	Check Ring
49	YMS210C-49	37555	Inner Flange
50	YMS210C-50	37563	Screw
51	Contact Draper	****	Blade
52	YMS210C-52	37570	Outer Flange
53	YMS210C-53	37572	Washer
54	YMS210C-54	37673	Blade bolt
55	YMS210C-55	37680	Screw
56	YMS210C-56	37696	Spring Washer
57	YMS210C-57	37807	Fixed Guard
58	YMS210C-58	37815	Screw
59	YMS210C-59	37849	Spring Washer
60	YMS210C-60	37851	Washer
61	YMS210C-61	37859	Moving Guard
62	YMS210C-62	37882	Locknut
63	YMS210C-63	37928	Torsion Spring
64	YMS210C-64	37948	Shield Lock Piece
65	YMS210C-65	38030	Screw
66	YMS210C-64	38073	Spindle Lock Pin
67	YMS210C-67	38075	E Clip
68	YMS210C-68	38082	Spindle Lock Pin Spring
69	YMS210C-69	38139	Spring Washer
70	YMS210C-70	38140	Screw
71	YMS210C-71	38148	Rubber Buffer
72	YMS210C-72	38149	Linkage Assembly
75	YMS210C-75	38174	Shoulder Screw
77	YMS210C-77	38182	Screw

Helpline: (023) 8049 4344. Sales Desk: (023) 8049 4333. General Enquiries: (023) 8026 6355.



SPARE PARTS LISTING SHEET FOR

1100W 230V 210mm Mitre Saw

Stock No.21307

Part No.MS210C

KEY No.	PART No.	STOCK No.	DESCRIPTION
78	YMS210C-78	38183	Spring Washer
79	YMS210C-79	38197	Washer
80	YMS210C-80	38268	Torsion Spring
81	YMS210C-81	38283	Wave Washer
84	YMS210C-84	38320	Shoulder Screw
85	YMS210C-85	38350	Pivot Shaft
86	YMS210C-86	38358	Bracket
91	YMS210C-91	38363	Hex Screw
92	YMS210C-92	38416	Nut
93	YMS210C-93	38568	Big Torsion Spring
94	YMS210C-94	38569	Bevel Indicator
95	YMS210C-95	38592	Washer
96	YMS210C-96	38595	Spring Washer
97	YMS210C-97	38596	Screw
98	YMS210C-98	38599	Bevel Locker
99	YMS210C-99	38614	Washer
100	YMS210C-100	38630	Rotary Shaft
101	YMS210C-101	38632	Hex Screw
102	YMS210C-102	38673	Nut
103	YMS210C-103	38780	Hex Screw
104	YMS210C-104	38834	Arm
105	YMS210C-105	38906	Bevel Scale
106	YMS210C-106	38957	Screw
107	YMS210C-107	38958	Screw
108	YMS210C-108	38959	Kerf Plate
109	YMS210C-109	38960	Locknut

KEY No.	PART No.	STOCK No.	DESCRIPTION
110	YMS210C-110	38961	Washer
111	YMS210C-111	38962	Turn Table
112	YMS210C-112	38963	Screw
113	YMS210C-113	38964	Mitre Indicator
114	YMS210C-114	38965	Base
115	YMS210C-115	38966	Bolt Knurled
116	YMS210C-116	38968	Screw
117	YMS210C-117	38969	Spring
118	YMS210C-118	38970	Detent Roll
119	YMS210C-119	38971	Nylon Brake
120	YMS210C-120	38972	Fence
121	YMS210C-121	38974	Hex Screw
122	YMS210C-122	38975	Screw
123	YMS210C-123	38980	Clamp
124	YMS210C-124	38984	Clamp Screw Knob
125	YMS210C-125	38985	Support Pole
126	YMS210C-126	38986	Knob
127	YMS210C-127	38987	Roll Pin
128	YMS210C-128	39000	Switch
129	YMS210C-129	39026	Retaining Ring
130	YMS210C-130	39028	Guard Roller
131	YMS210C-131	39064	Washer
132	YMS210C-132	39066	Extension Wing
133	YMS210C-133	39070	Acetabulum
134	YMS210C-134	39178	Dust Bag
135	YMS210C-135	39184	Hex Key

Helpline: (023) 8049 4344. Sales Desk: (023) 8049 4333. General Enquiries: (023) 8026 6355.

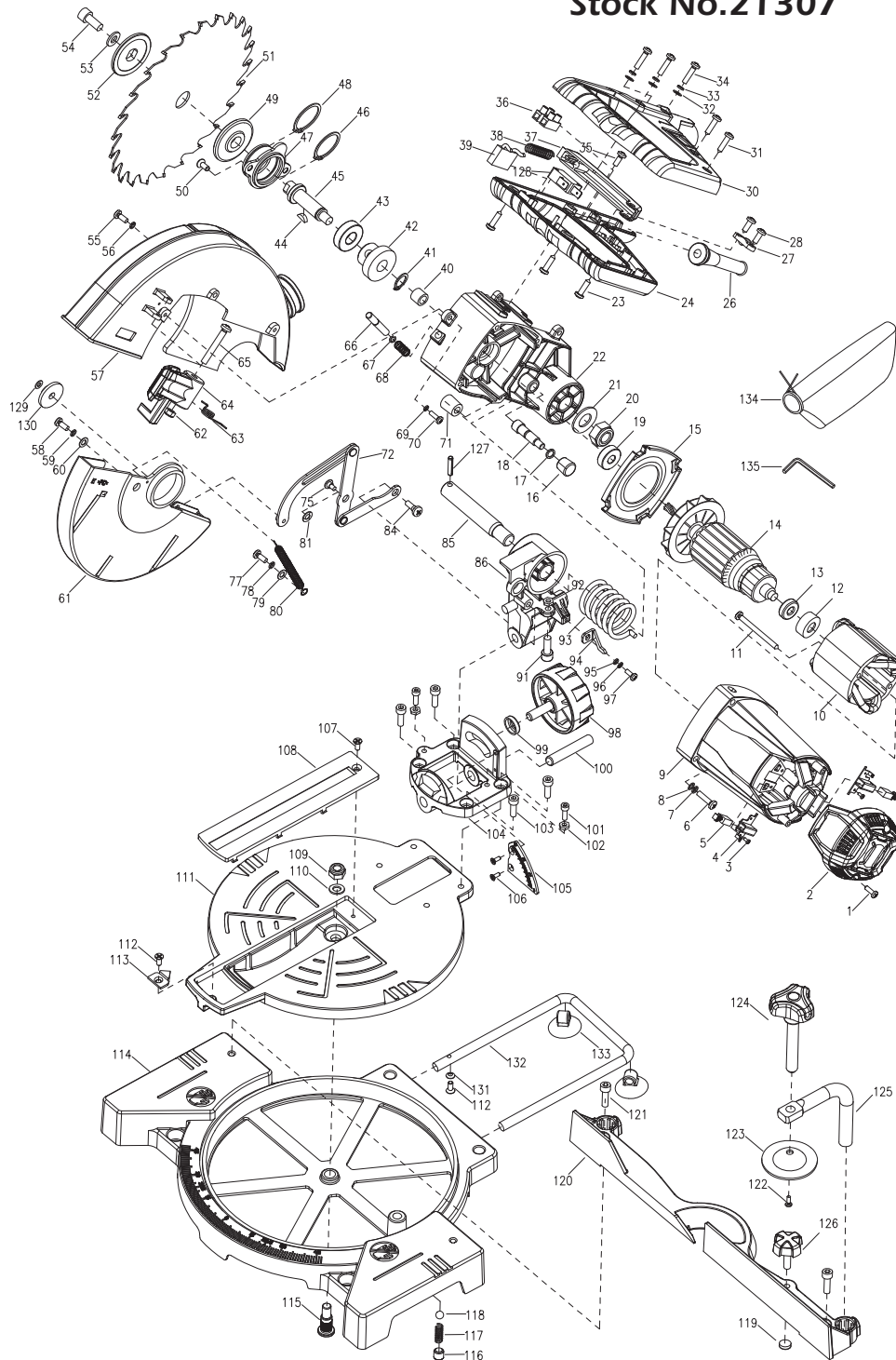


SPARE PARTS DRAWING SHEET FOR

1100W 230V 210mm Mitre Saw

Stock No.21307

Part No.MS210C



Helpline: (023) 8049 4344. Sales Desk: (023) 8049 4333. General Enquiries: (023) 8026 6355.

DRAPER TOOLS LTD, HURSLEY ROAD, CHANDLER'S FORD, EASTLEIGH, HANTS. SO53 1YF. U.K website: drapertools.com e-mail: sales@drapertools.com

RDMC0916