



SPARE PARTS LISTING SHEET FOR

230V Oil Free Air Compressor

Stock No.24973 Part No.DA0/162

KEY No.	PART No.	STOCK No.	DESCRIPTION
1	CDAO/162-01	25283	Bolt
2	CDAO/162-02	25284	Bolt
3	CDAO/162-03	25285	Washer
4	CDAO/162-04	25286	Cylinder head
5	CDAO/162-05	25287	O-ring
7	CDAO/162-07	25290	Cylinder seals
8	CDAO/162-08	25291	Cylinder
9	CDAO/162-09	25294	Crankcase
10	CDAO/162-10	25295	Screw
11	CDAO/162-11	25297	Connecting rod cover
12	CDAO/162-12	25298	Piston ring
13	CDAO/162-13	25299	Bolt
14	CDAO/162-14	25300	Washer
15	CDAO/162-15	25301	Fan
16	CDAO/162-16	25302	Pin
17	CDAO/162-17	25303	Bolt
18	CDAO/162-18	25304	Washer
19	CDAO/162-19	25305	Connecting rod
20	CDAO/162-20	25306	Bearing
21	CDAO/162-21	25307	Crank
22	CDAO/162-22	25308	Pipe
23	CDAO/162-23	25309	Gasket Card
24	CDAO/162-24	25310	Bolt
25	CDAO/162-25	25311	Washer
26	CDAO/162-26	25312	NutSteel
27	CDAO/162-27	25313	Lower base
28	CDAO/162-28	25314	Nut
29	CDAO/162-29	25315	Feet Rubber
30	CDAO/162-30	25316	Bolt
31	CDAO/162-31	25318	Bolt
32	CDAO/162-32	25319	Grommit Plastic
33	CDAO/162-33	25321	Plug and cable

KEY No.	PART No.	STOCK No.	DESCRIPTION
34	CDAO/162-34	25322	Bolt
35	CDAO/162-35	25323	Valve
36	CDAO/162-36	25324	Three way connector
37	CDAO/162-37	25325	Air valve
38	CDAO/162-38	25326	Circlip
39	CDAO/162-39	25327	Fan
40	CDAO/162-40	25328	Bolt
41	CDAO/162-41	25330	Washer
42	CDAO/162-42	25331	Screw
43	CDAO/162-43	25332	Washer
44	CDAO/162-44	25334	Washer
45	CDAO/162-45	25335	Motor bracket
46	CDAO/162-46	25336	Field assembly
47	CDAO/162-47	25337	Bearing
48	CDAO/162-48	25338	Stator
49	CDAO/162-49	25339	Bearing
50	CDAO/162-50	25340	Nut
51	CDAO/162-51	25343	Washer
52	CDAO/162-52	25344	Screw
53	CDAO/162-53	25345	Capacitor
54	CDAO/162-54	25346	Nut
55	CDAO/162-55	25347	Connection stud
56	CDAO/162-56	25348	Safety valve
57	CDAO/162-57	25349	Regulator valve
58	CDAO/162-58	25350	Air filter
59	CDAO/162-59	25887	BoltSteel
60	CDAO/162-60	25889	Switch
61	CDAO/162-61	25890	Bolt
62	CDAO/162-62	25891	Bolt
63	CDAO/162-63	25892	Upper handle
64	CDAO/162-64	25894	Handle
65	CDAO/162-65	25908	Fan cover

Helpline: (023) 8049 4344. **Sales Desk:** (023) 8049 4333. **General Enquiries:** (023) 8026 6355.

DRAPER TOOLS LTD, HURSLEY ROAD, CHANDLER'S FORD, EASTLEIGH, HANTS. SO53 1YF U.K website: www.drapertools.com e-mail: sales@drapertools.com

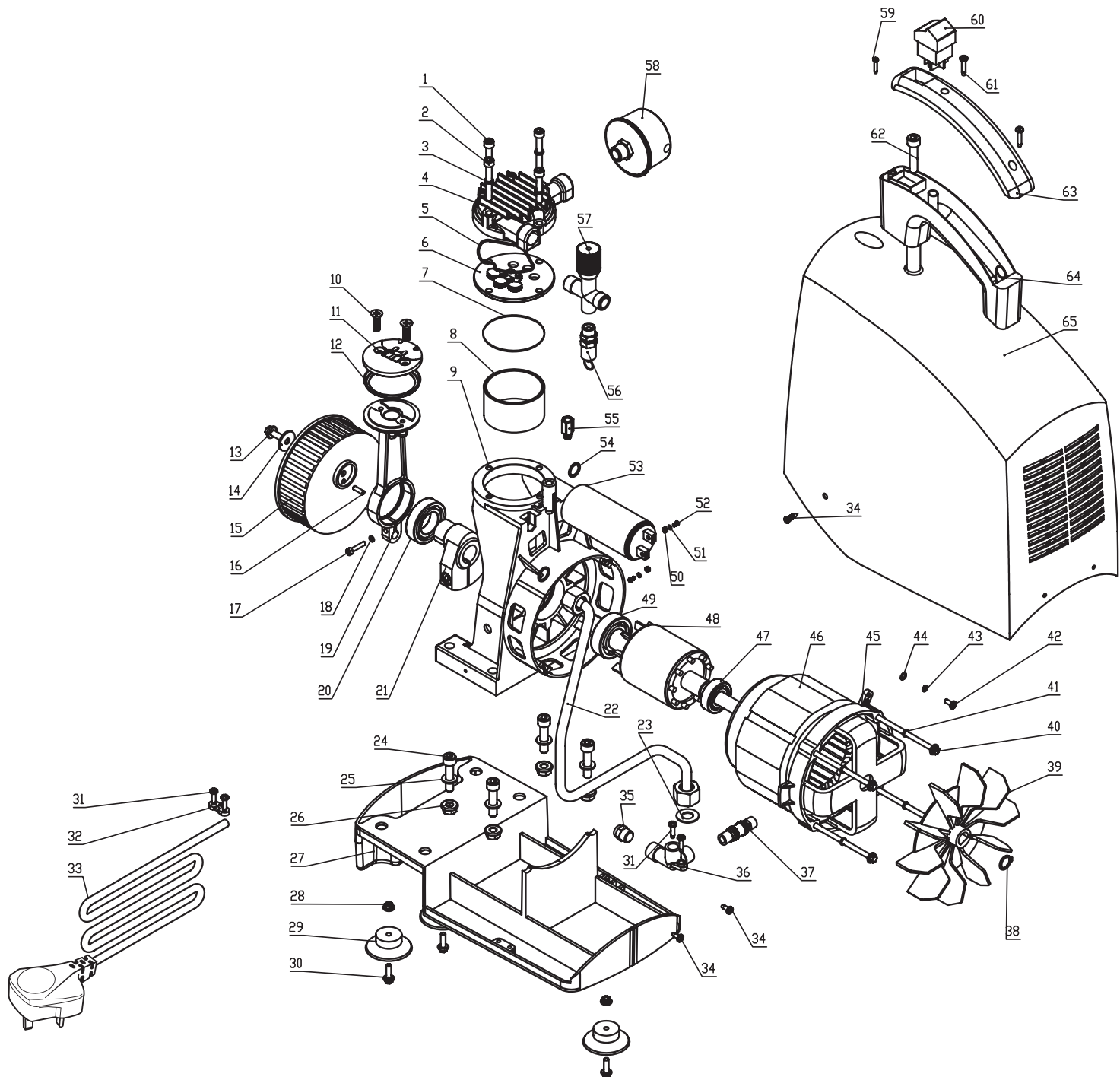


SPARE PARTS DRAWING SHEET FOR

230V Oil Free Air Compressor

Stock No.24973

Part No.DA0/162



Helpline: (023) 8049 4344. Sales Desk: (023) 8049 4333. General Enquiries: (023) 8026 6355.

DRAPER TOOLS LTD, HURSLEY ROAD, CHANDLER'S FORD, EASTLEIGH, HANTS. SO53 1YF U.K website: www.drapertools.com e-mail: sales@drapertools.com