



SPARE PARTS LISTING SHEET FOR

230V 6L Oil Free Air Compressor

Stock No.24974

Part No.DA6/169

KEY No.	PART No.	STOCK No.	DESCRIPTION
1	CDA6/169-01	25192	Bolt
2	CDA6/169-02	25193	Bolt
3	CDA6/169-03	25194	Washer
4	CDA6/169-04	25195	Cylinder head
5	CDA6/169-05	25196	O-ringRubber
6	CDA6/169-06	25198	Valve plate
7	CDA6/169-07	25199	Cylinder seals
8	CDA6/169-08	25201	Cylinder
9	CDA6/169-09	25202	Connection stud
10	CDA6/169-10	25203	ScrewSteel
11	CDA6/169-11	25204	Connecting rod cover
12	CDA6/169-12	25205	Piston ring
13	CDA6/169-13	25206	Connecting rod
14	CDA6/169-14	25207	Bolt
15	CDA6/169-15	25208	Washer
16	CDA6/169-16	25209	Fan
17	CDA6/169-17	25210	Bolt
18	CDA6/169-18	25211	Washer
19	CDA6/169-19	25212	Bearing
20	CDA6/169-20	25213	Pin
21	CDA6/169-21	25214	Crank
22	CDA6/169-22	25215	Screw
23	CDA6/169-23	25217	Crank case
24	CDA6/169-24	25218	Bearing
25	CDA6/169-25	25219	Stator
26	CDA6/169-26	25220	Field
27	CDA6/169-27	25222	Bearing
28	CDA6/169-28	25223	Washer
29	CDA6/169-29	25224	Motor bracket
30	CDA6/169-30	25225	Bolt
31	CDA6/169-31	25226	Washer
32	CDA6/169-32	25227	Screw
33	CDA6/169-33	25228	Washer

KEY No.	PART No.	STOCK No.	DESCRIPTION
34	CDA6/169-34	25229	Washer
35	CDA6/169-35	25230	Screw
36	CDA6/169-36	25234	Washer
37	CDA6/169-37	25247	Nut
38	CDA6/169-38	25249	Capacitor
39	CDA6/169-39	25250	Washer
40	CDA6/169-40	25251	Pipe
41	CDA6/169-41	25252	Elbow connector
42	CDA6/169-42	25253	Air filter
43	CDA6/169-43	25254	Fan cover
44	CDA6/169-44	25255	Washer
45	CDA6/169-45	25256	Screw
46	CDA6/169-46	25257	Handle
47	CDA6/169-47	25258	Fixing plate
48	CDA6/169-48	25259	Bolt
49	CDA6/169-49	25260	Washer
50	CDA6/169-50	25261	Flange nut
51	CDA6/169-51	25262	Tank
52	CDA6/169-52	25263	Feet
53	CDA6/169-53	25264	Washer
54	CDA6/169-54	25265	Bolt
55	CDA6/169-55	25266	Drain valve
56	CDA6/169-56	25267	Quick coupler
57	CDA6/169-57	25268	Pressure gauge
58	CDA6/169-58	25269	Regulator valve
59	CDA6/169-59	25271	Three way connector
60	CDA6/169-60	25272	Safety valve
61	CDA6/169-61	25273	Plug and cable
62	CDA6/169-62	25274	Pressure gauge
63	CDA6/169-63	25275	Pressure switch
64	CDA6/169-64	25276	Release pipe
65	CDA6/169-65	25277	Valve

Helpline: (023) 8049 4344. Sales Desk: (023) 8049 4333. General Enquiries: (023) 8026 6355.

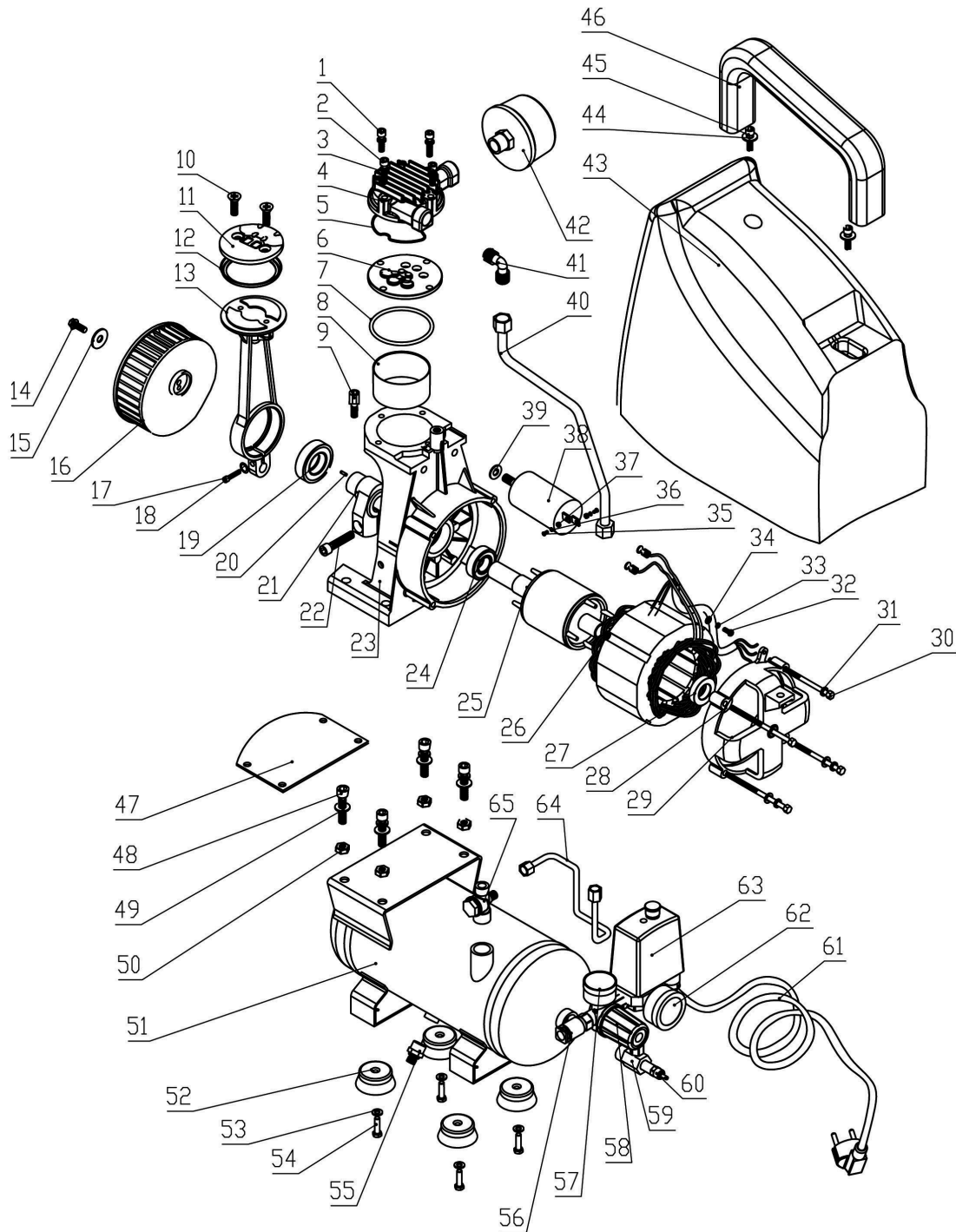
DRAPER TOOLS LTD, HURSLEY ROAD, CHANDLER'S FORD, EASTLEIGH, HANTS. SO53 1YF U.K website: www.drapertools.com e-mail: sales@drapertools.com



SPARE PARTS DRAWING SHEET FOR
**230V 6L Oil Free
Air Compressor**

Stock No.24974

Part No.DA6/169



Helpline: (023) 8049 4344. Sales Desk: (023) 8049 4333. General Enquiries: (023) 8026 6355.

DRAPER TOOLS LTD, HURSLEY ROAD, CHANDLER'S FORD, EASTLEIGH, HANTS. SO53 1YF U.K website: www.drapertools.com e-mail: sales@drapertools.com

RWCH130912