



SPARE PARTS LISTING SHEET FOR

230V 24L

Air Compressor

Stock No.24980

Part No.DA25/207

KEY No.	PART No.	STOCK No.	DESCRIPTION
1	CDA25/207-01	25580	Bolt
2	CDA25/207-02	25582	Cylinder head
3	CDA25/207-03	25583	Air filter
4	CDA25/207-04	25584	Cylinder head gasket
5	CDA25/207-05	25585	Valve plate
6	CDA25/207-06	25586	Valve plate gasket
7	CDA25/207-07	25587	Valve
8	CDA25/207-08	25588	Pin
9	CDA25/207-09	25589	Cylinder
10	CDA25/207-10	25590	Bolt
11	CDA25/207-11	25591	Cylinder gasket
12	CDA25/207-12	25592	Piston ring
13	CDA25/207-13	25593	Piston
14	CDA25/207-14	25594	Piston pin
15	CDA25/207-15	25595	Circlip
16	CDA25/207-16	25597	Bolt
17	CDA25/207-17	25598	Crankcase cover
18	CDA25/207-18	25599	Vial gasket
19	CDA25/207-19	25600	Vial
20	CDA25/207-20	25601	Bolt
21	CDA25/207-21	25602	Circlip
22	CDA25/207-22	25603	Gasket
23	CDA25/207-23	25604	Connecting rod
24	CDA25/207-24	25605	Bolt
25	CDA25/207-25	25607	Crank
26	CDA25/207-26	25608	Crankcase
27	CDA25/207-27	25609	Sealing ring
28	CDA25/207-28	25612	Bearing
29	CDA25/207-29	25615	Field
30	CDA25/207-30	25616	Stator
31	CDA25/207-31	25617	Bearing
32	CDA25/207-32	25618	Washer

KEY No.	PART No.	STOCK No.	DESCRIPTION
33	CDA25/207-33	25619	Motor cover
34	CDA25/207-34	25620	Bolt
35	CDA25/207-35	25621	Motor cover
36	CDA25/207-36	25622	Circlip
37	CDA25/207-37	25623	Connector
38	CDA25/207-38	25624	Fan cover
39	CDA25/207-39	25625	Nut
40	CDA25/207-40	25626	Washer
41	CDA25/207-41	25627	Capacitor
42	CDA25/207-42	25628	Nut
43	CDA25/207-43	25629	Check valve
44	CDA25/207-44	25631	Release pipe
45	CDA25/207-45	25632	Bolt
46	CDA25/207-46	25633	Discharge pipe
47	CDA25/207-47	25634	Nut
48	CDA25/207-48	25635	Spring
49	CDA25/207-49	25636	Washer
50	CDA25/207-50	25648	Bush
51	CDA25/207-51	25654	Wheel
52	CDA25/207-52	25655	Bolt
53	CDA25/207-53	25656	Foot
54	CDA25/207-54	25657	Tank
55	CDA25/207-55	25658	Bung
56	CDA25/207-56	25659	Nut
57	CDA25/207-57	25660	Plug and cable
58	CDA25/207-58	25661	Cable
59	CDA25/207-59	25662	Safety valve
60	CDA25/207-60	25663	Pressure gauge
61	CDA25/207-61	25664	Regualtor gauge
62	CDA25/207-62	25665	Quick coupler
63	CDA25/207-63	25666	Regulator valve
64	CDA25/207-64	25668	Pressure switch

Helpline: (023) 8049 4344. Sales Desk: (023) 8049 4333. General Enquiries: (023) 8026 6355.

DRAPER TOOLS LTD, HURSLEY ROAD, CHANDLER'S FORD, EASTLEIGH, HANTS. SO53 1YF. U.K website: www.drapertools.com e-mail: sales@drapertools.com

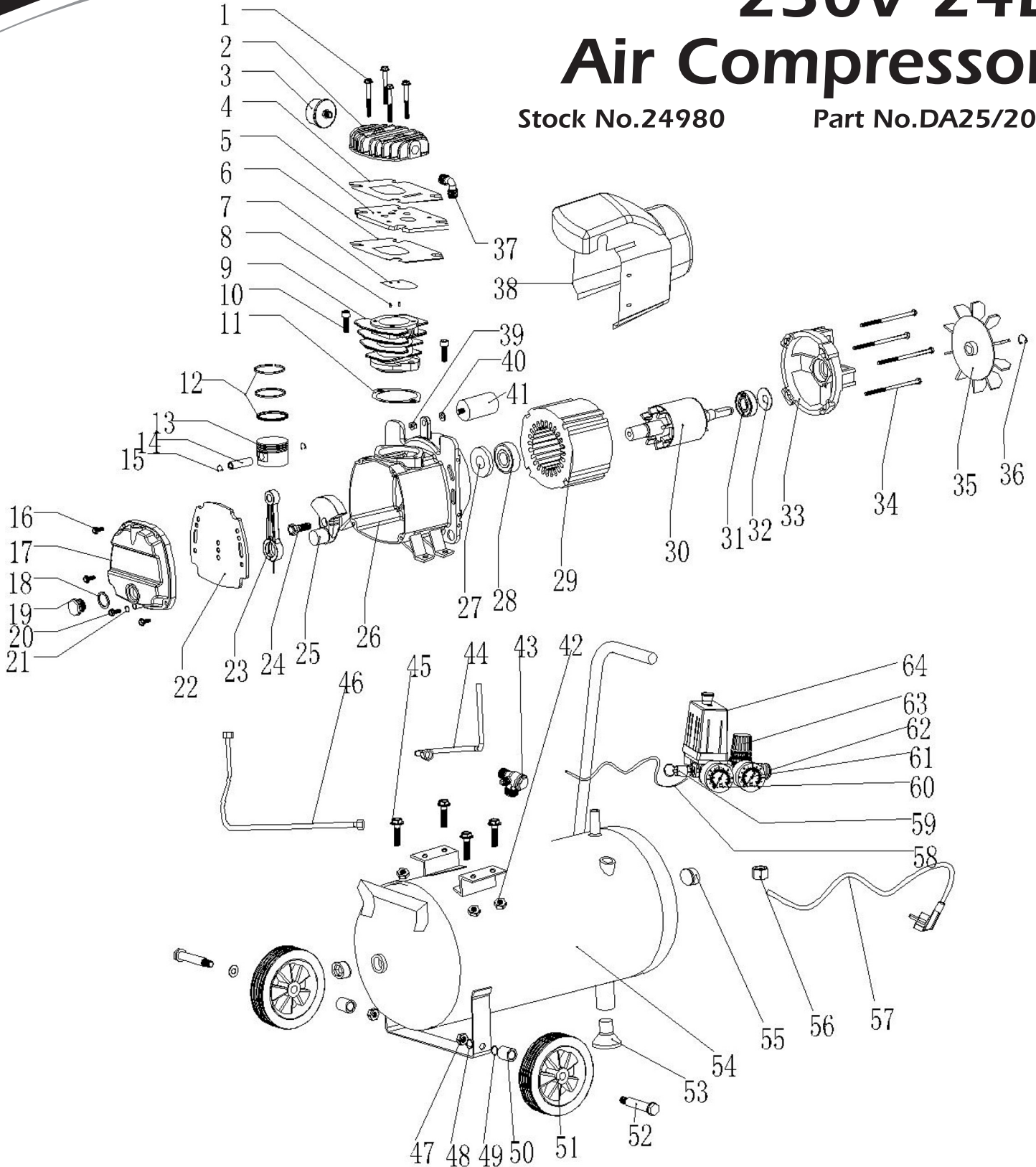


SPARE PARTS DRAWING SHEET FOR

230V 24L Air Compressor

Stock No.24980

Part No.DA25/207



Helpline: (023) 8049 4344. Sales Desk: (023) 8049 4333. General Enquiries: (023) 8026 6355.

DRAPER TOOLS LTD, HURSLEY ROAD, CHANDLER'S FORD, EASTLEIGH, HANTS. SO53 1YF. U.K website: www.drapertools.com e-mail: sales@drapertools.com

RWCH130812