

DRAPER[®]

PETROL
**HEDGE
TRIMMER**

32319

IMPORTANT: PLEASE READ THESE INSTRUCTIONS CAREFULLY TO ENSURE THE SAFE AND EFFECTIVE USE OF THIS PRODUCT.



CE

INSTRUCTIONS

These instructions accompanying the product are the original instructions. This document is part of the product, keep it for the life of the product passing it on to any subsequent holder of the product. Read all these instructions before assembling, operating or maintaining this product.

This manual has been compiled by Draper Tools describing the purpose for which the product has been designed, and contains all the necessary information to ensure its correct and safe use. By following all the general safety instructions contained in this manual, it will ensure both product and operator safety, together with longer life of the product itself.

All photographs and drawings in this manual are supplied by Draper Tools to help illustrate the operation of the product.

Whilst every effort has been made to ensure the accuracy of information contained in this manual, the Draper Tools policy of continuous improvement determines the right to make modifications without prior warning.

1. TITLE PAGE

1.1 INTRODUCTION:

USER MANUAL FOR: Petrol Hedge Trimmer

Stock No: 32319

Part No: HTP256

1.2 REVISIONS:

Date first published May 2017.

As our user manuals are continually updated, users should make sure that they use the very latest version.

Downloads are available from: <http://www.drapertools.com/manuals>

Draper Tools Limited
Hursley Road
Chandler's Ford
Eastleigh
Hampshire
SO53 1YF
UK

Website: drapertools.com

Product Helpline: +44 (0) 23 8049 4344

General Fax: +44 (0) 23 8026 0784

1.3 UNDERSTANDING THIS MANUALS SAFETY CONTENT:

WARNING! – Information that draws attention to the risk of injury or death.

CAUTION! – Information that draws attention to the risk of damage to the product or surroundings.

1.4 COPYRIGHT © NOTICE:

Copyright © Draper Tools Limited.

Permission is granted to reproduce this publication for personal and educational use only. Commercial copying, redistribution, hiring or lending is prohibited.

No part of this publication may be stored in a retrieval system or transmitted in any other form or means without written permission from Draper Tools Limited.

In all cases this copyright notice must remain intact.

2. CONTENTS

1. TITLE PAGE

| | |
|-------------------------------------|---|
| 1.1 INTRODUCTION..... | 2 |
| 1.2 REVISION HISTORY | 2 |
| 1.3 UNDERSTANDING THIS MANUAL | 2 |
| 1.4 COPYRIGHT NOTICE | 2 |

2. CONTENTS

| | |
|-------------------|---|
| 2.1 CONTENTS..... | 3 |
|-------------------|---|

3. GUARANTEE

| | |
|---------------------|---|
| 3.1 GUARANTEE | 4 |
|---------------------|---|

4. INTRODUCTION

| | |
|-------------------------------|---|
| 4.1 SCOPE..... | 5 |
| 4.2 SPECIFICATION | 5 |
| 4.3 HANDLING AND STORAGE..... | 5 |

5. HEALTH AND SAFETY INFORMATION

| | |
|---|---|
| 5.1 SPECIFIC SAFETY INSTRUCTION FOR PETROL HEDGE TRIMMERS | 6 |
| – Service | 6 |
| 5.2 HEALTH AND SAFETY INFORMATION CONCERNING THE USE OF FUELS | 7 |

6. TECHNICAL DESCRIPTION

| | |
|--------------------------|---|
| 6.1 IDENTIFICATION | 8 |
|--------------------------|---|

7. UNPACKING AND CHECKING

| | |
|----------------------------|---|
| 7.1 PACKAGING | 9 |
| 7.2 WHAT'S IN THE BOX..... | 9 |

8. PREPARING THE HEDGE TRIMMER

| | |
|-----------------------|----|
| 8.1 TRAINING | 10 |
| 8.2 PREPARATION | 10 |
| 8.3 FUELLING | 11 |

9. OPERATING INSTRUCTIONS

| | |
|--|----|
| 9.1 COLD STARTING THE ENGINE..... | 12 |
| 9.2 WARM STARTING THE ENGINE | 13 |
| 9.3 STOPPING THE ENGINE | 14 |
| 9.4 HORIZONTAL ROTATING REAR HANDLE..... | 14 |
| 9.5 ENGINE IDLE SPEED ADJUSTMENT | 14 |
| 9.6 HOLDING THE HEDGE TRIMMER | 15 |
| 9.7 HEDGE CUTTING TECHNIQUES | 16 |
| – Vertical Cutting | 16 |
| – Horizontal Cutting | 16 |

10. MAINTENANCE AND TROUBLESHOOTING

| | |
|---|----|
| 10.1 CLEANING THE AIR FILTER | 17 |
| 10.2 SPARK PLUG MAINTENANCE | 17 |
| 10.3 CLEANING AND LUBRICATION..... | 18 |
| 10.4 TROUBLESHOOTING GUIDE..... | 19 |
| 10.5 CLEANING AND MAINTENANCE OVERVIEW | 20 |
| 10.6 STORING THE MACHINE FOR AN EXTENDED PERIOD OF TIME | 20 |

11. EXPLANATION OF SYMBOLS

| | |
|----------------------------------|----|
| 11.1 EXPLANATION OF SYMBOLS..... | 21 |
|----------------------------------|----|

12. DISPOSAL

| | |
|---------------------|----|
| 12.1 DISPOSAL | 22 |
|---------------------|----|

DECLARATION OF CONFORMITY ENCLOSED

3. GUARANTEE

3.1 GUARANTEE

Draper tools have been carefully tested and inspected before shipment and are guaranteed to be free from defective materials and workmanship.

Should the tool develop a fault, please return the complete tool to your nearest distributor or contact:

Draper Tools Limited, Chandler's Ford, Eastleigh, Hampshire, SO53 1YF. England.

Telephone Sales Desk: (023) 8049 4333 or:

Product Helpline (023) 8049 4344.

A proof of purchase must be provided with the tool.

If upon inspection it is found that the fault occurring is due to defective materials or workmanship, repairs will be carried out free of charge. This guarantee period covering parts/labour is 12 months from the date of purchase except where tools are hired out when the guarantee period is 90 days from the date of purchase. The guarantee is extended to 12 months for parts only. This guarantee does not apply to normal wear and tear, nor does it cover any damage caused by misuse, careless or unsafe handling, alterations, accidents, or repairs attempted or made by any personnel other than the authorised Draper warranty repair agent.

Note: If the tool is found not to be within the terms of warranty, repairs and carriage charges will be quoted and made accordingly.

This guarantee applies in lieu of any other guarantee expressed or implied and variations of its terms are not authorised.

Your Draper guarantee is not effective unless you can produce upon request a dated receipt or invoice to verify your proof of purchase within the guarantee period.

Please note that this guarantee is an additional benefit and does not affect your statutory rights.

Draper Tools Limited.

4. INTRODUCTION

4.1 SCOPE

Cutting and trimming of hedges, bushes and ornamental shrubs in the domestic sector only. All other uses are expressly excluded.

4.2 SPECIFICATION

| | |
|---|-------------------------|
| Stock No: | 32319 |
| Part No: | HTP256 |
| Engine displacement | 22.5cc |
| Maximum engine performance | 0.80kW |
| Maximum engine speed | 7500min ⁻¹ |
| Fuel tank capacity | 0.6L |
| Fuel mixture..... | 25:1 ^{††} |
| Blade length | 550mm |
| Effective cutting length | 500mm |
| Maximum cutting width..... | Up to 27mm |
| Blade tooth opening | 27mm |
| Sound pressure level | 94±3dB(A) |
| Sound power level | 110dB(A) |
| Single value noise level (LWA) [†] | 110dB(A) |
| Vibration level..... | 7.0±1.5m/s ² |
| Dimensions (assembled) (L × W × H) | 1070 × 230 × 240mm |
| Weight (machine only)..... | 5.5kg |

[†]A-weighted sound pressure level in accordance to 2000/14/EC.

^{††}Use semi-synthetic 2 stroke oil.

4.3 HANDLING AND STORAGE

Care must still be taken when handling and lifting. Dropping this machine will have an effect on the accuracy and may also result in personal injury. This machine is not a toy and must be respected.

The environment will have a negative result on its operation if you are not careful. If the air is damp, components will rust. If the machine is unprotected from dust and debris; components will become clogged: And if not cleaned and maintained correctly or regularly the machine will not perform at its best.

5. HEALTH AND SAFETY INFORMATION

5.1 SPECIFIC SAFETY INSTRUCTIONS FOR PETROL HEDGE TRIMMERS

Warning! For your safety, please read and understand these instructions before assembling, operating or maintaining this machine.

- Never attempt to modify or operate a modified machine. Fully assemble this machine, including all relevant guards, before operating.
- Do not operate this machine without being completely familiar with the safety features and how to operate them.
- Never operate this machine if the stop switch is faulty or not functioning.
- Never operate this machine while tired, ill or under the influence of drugs.

Danger! Keep out of the reach of children.

- Fully read and understand before attempting to assemble, operate or maintain the machine.
- Never allow people unfamiliar with these instructions to operate this machine. Local regulations may restrict the age of the operator.
- Prior to each use, inspect the machine for signs of damage. Make sure the safety features are present and functioning and that all visible nuts, bolts and screws remain tight. Vibration from normal use can cause them to loosen over time.
- Never operate this machine with defective or missing guards.

Warning! Use of this product can pose a danger to wildlife. Before attempting to use this machine, check the area, particularly long grass and under bushes for signs of life: if necessary relocate.

Note: Not all animals will be deterred by the noise of the product alone.

- Do not operate this machine near animals or bystanders.
- Check the attachment is correctly fitted to the machine before attempting to start the engine.

Caution! As the user you are responsible for any injury to people or damage to property.

Warning! During use the engine gets very hot. Do not touch it, especially the exhaust.

- Always be aware of your surroundings, staying alert for possible hazards that you may not hear over the noise of the engine.
- Always wear appropriate PPE [Personal Protective Equipment].
- Always wear suitable eye/face protection.
- Ear defenders must be worn to prevent damage to your hearing.
- Gloves to help reduce vibration fatigue.
- Always wear safety footwear.

Service

Have your power tool serviced by a qualified repair person using only identical replacement parts. This will ensure that the safety of the power tool is maintained.

5. HEALTH AND SAFETY INFORMATION

5.2 HEALTH AND SAFETY INFORMATION CONCERNING THE USE OF FUELS

Fuels are inflammable and explosive. Reduce the risk of explosion and fire by:

- Turning off and cooling the motor down before filling the tank with fuel.
- Refraining from smoking and starting open fires when handling fuels.
- Storing and mixing fuels in approved and correspondingly labelled canisters.
- Storing fuels in closed containers. Keeping in mind that fuels may evaporate at room temperature and collect on the floor of closed rooms (risk of explosion).
- Start the device at least nine metres away from any stored fuels or flammable liquids.

Fuels are toxic, they contain substances that have an immediate toxic effect and may cause permanent damage to your health. Take all precautionary measures to prevent your body from absorbing any of these substances:

- Tank and siphon fuels only outdoors or in well-ventilated rooms.
- Do not inhale fuel fumes.
- Avoid contact with eyes and skin.
- Wear gloves when transferring fuel.
- When fuel has come into contact with your clothes, change them immediately. Clean your clothes before putting them back on.
- Store fuels out of the reach of children.

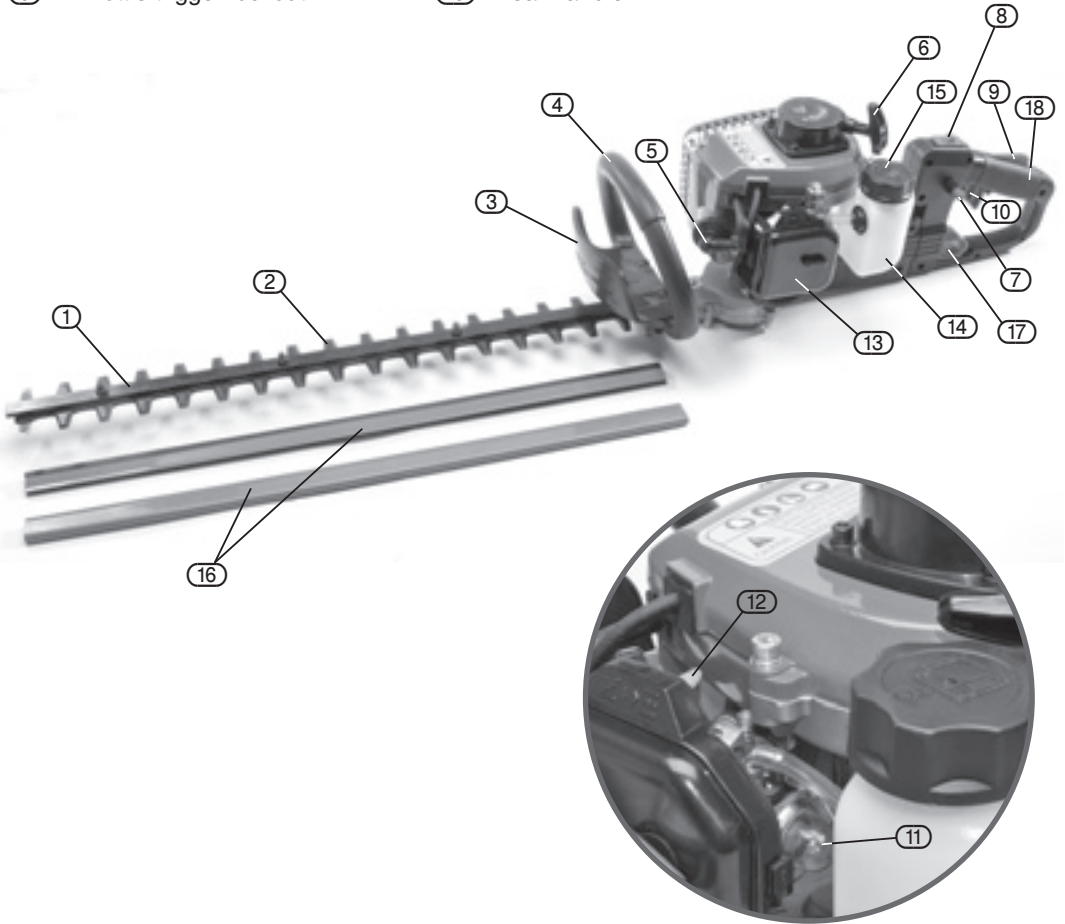
When handled inappropriately, fuels may cause damage to the environment:

- Transfer fuel carefully. Fuel must never trickle into the ground or the sewage system.
- Dispose of any remaining fuel in an appropriate manner. Never dispose of fuel with regular household waste.
- Fuels may be stored only for a limited time. Purchase only such quantities that can be used up within a few months.

6. TECHNICAL DESCRIPTION

6.1 IDENTIFICATION

- ① Cutting blade.
- ② Blade comb.
- ③ Hand guard.
- ④ Front handle.
- ⑤ Spark plug cap.
- ⑥ Recoil starter cord.
- ⑦ Lock-on button.
- ⑧ ON/OFF switch.
- ⑨ Throttle trigger lockout.
- ⑩ Throttle trigger.
- ⑪ Primer bulb.
- ⑫ Choke lever.
- ⑬ Air filter cover.
- ⑭ Fuel tank.
- ⑮ Fuel tank cap.
- ⑯ Blade covers.
- ⑰ Handle rotation button.
- ⑱ Rear handle.



7. UNPACKING AND CHECKING

7.1 PACKAGING

Carefully remove the machine from the packaging and examine it for any sign of damage that may have happened during shipping. Lay the contents out and check them against the parts shown below. If any part is damaged or missing; please contact the Draper Helpline (the telephone number appears on the Title page) and do not attempt to use the machine.

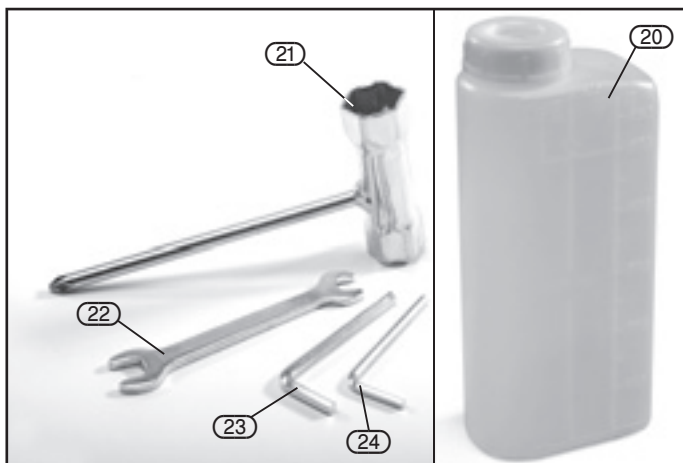
The packaging material should be retained at least during the guarantee period: in case the machine needs to be returned for repair.

Warning! Some of the packaging materials used may be harmful to children. Do not leave any of these materials in the reach of children.

If any of the packaging is to be thrown away, make sure they are disposed of correctly; according to local regulations.

7.2 WHAT'S IN THE BOX?

As well as the hedge trimmer, there are several parts not fitted or attached to it.



(20) Fuel mixing bottle.

(21) Box spanner.

(22) Spanner.

(23) Hexagon key (large).

(24) Hexagon key (small).

8. PREPARING THE HEDGE TRIMMER

8.1 TRAINING

- a) Become familiar with the owner's manual before attempting to operate the equipment.
- b) Never allow children or people unfamiliar with these instructions to use the machine. Local regulations can restrict the age of the operator.
- c) Never work while people, especially children, or pets are nearby.
- d) Keep in mind that the operator or user is responsible for accidents or hazards occurring to other people or their property.
- e) Major repair work shall be carried out only by specifically trained personnel.

8.2 PREPARATION

- a) **This hedge trimmer can cause serious injuries.** Read the instructions carefully for the correct handling, preparation, maintenance, starting and stopping of the hedge trimmer. Become familiar with all controls and the proper use of the hedge trimmer.
- b) Never allow children to use the hedge trimmer.
- c) Beware of overhead power lines.
- d) Avoid operating while people, especially children, are nearby.
- e) Dress properly! Do not wear loose clothing or jewellery, which can be caught in moving parts. Use of sturdy gloves, non-skid footwear and safety glasses is recommended.
- f) Use extra care when handling fuels. They are flammable and the vapours are explosive. The following points should be observed.
 - Only use fresh, clean and good quality fuel/oil mix in the hedge trimmer.
 - Use only an approved container.
 - Never remove the fuel cap or add fuel with the power source running. Allow engine and exhaust components to cool down before refuelling.
 - Do not smoke.
 - Never refuel indoors.
 - Never store the hedge trimmer or fuel container inside where there is an open flame, such as near a water heater.
 - If fuel is spilled, do not attempt to start the hedge trimmer, but move the hedge trimmer away from the spillage before starting.
 - Always replace and securely tighten the fuel cap after refuelling.
 - If the fuel tank is drained, this should be done outdoors.
- g) If the cutting mechanism strikes any foreign object or the hedge trimmer starts making any unusual noise or vibration, shut off the power source and allow the hedge trimmer to stop. Disconnect the spark plug wire from the spark plug and take the following steps:
 - inspect for damage;
 - check for, and tighten, any loose parts;
 - have any damaged parts replaced or repaired with parts having equivalent specifications

8. PREPARING THE HEDGE TRIMMER

8.3 FUELLING – FIGS. 1 – 2


This hedge trimmer is equipped with a 2 stroke air cooled petrol engine.

This type of engine requires a mixture of fuel and oil to perform and function. Failure to use the correct oil, fuel or mixture ratio will cause permanent damage to the engine. Only use fresh, clean, good quality unleaded fuel mixed with a high quality 2 stroke oil. **Do not use any other types of oil e.g. engine oil as this will cause damage to the engine.**

For synthetic oil or semi-synthetic, a mix ratio of 25:1 must be used. To mix a ratio of 25:1:

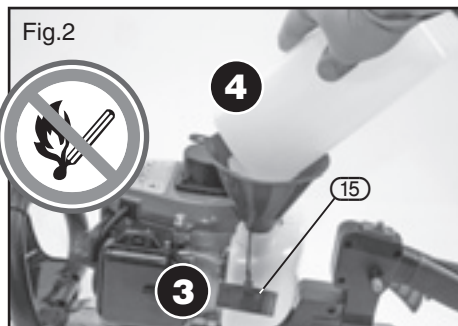
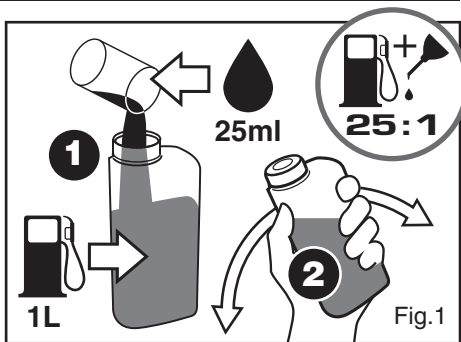
- 1 Add 0.250 litres (25ml) of 2 stroke oil into 1 litre of unleaded fuel.

Attention: Always handle fuel with caution.

- 2 Pour the fuel/oil mixture into a specifically designed mixing receptacle before replacing the cap and shaking gently.
- 3 Remove the fuel tank cap (15) by turning it anti-clockwise. To prevent identification problems or accidents the fuel tank cap is stamped with the symbol .
- 4 With the aid of a funnel pour the fuel/oil mixture into the fuel tank before replacing the cap firmly. Avoid spillage and do not over fill.

Note: Always mix and refuel in a well ventilated area away from sources of ignition.

Note: Store fuel for short periods only and avoid mixing more than is required. Store in a container specifically designed for petrochemical applications away from heat and direct sun light.



9. OPERATING INSTRUCTIONS



9.1 COLD STARTING THE ENGINE – FIGS. 3 – 6

Rest the hedge trimmer on a stable surface.

- 1 Press the ON/OFF switch (8) to the 'I' (ON) position.

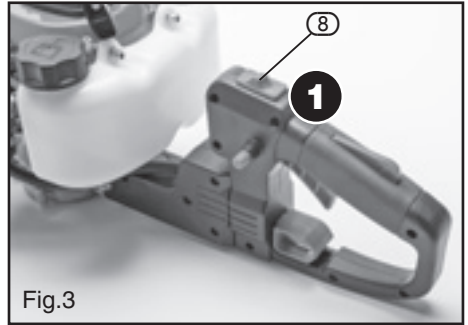
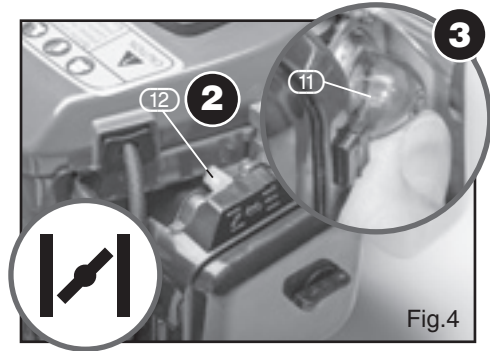


Fig.3

- 2 Slide the choke lever (12) forward to the | (closed) position.
- 3 Pump the primer (11) ten times until fuel is visible in the bubble. This moves the fuel up the line to the head.

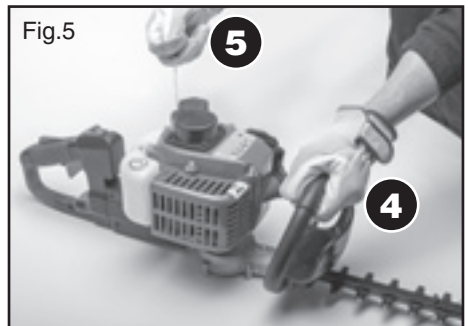


- 4 Standing behind the machine, firmly grip the front handle with your hand.


Important: Do not use your foot.

- 5 With your other hand grip the recoil starter cord. Ensure the blades are not touching any objects. Pull the starter cord using short sharp movements.

Note: Do not use the full length of the recoil starter cord as this can cause breakage or premature failure. Do not release the starter cord to recoil on its own. Damage will occur to the mechanism.



9. OPERATING INSTRUCTIONS

- 6 Once the engine tries to fire, move the choke to the  (open) position.

Note: If there is a strong smell of fuel this indicates that the engine may be flooded. Wait a few minutes before attempting to restart the machine as if the engine were warm i.e. no choke.

When running, hold the hedge trimmer firmly allowing it to warm for 10 seconds (pre heat) before use.

Note: When transporting, always ensure the engine is stopped and the blade guard is in place.

Warning: The blades will continue to move for a period after the throttle has been released.

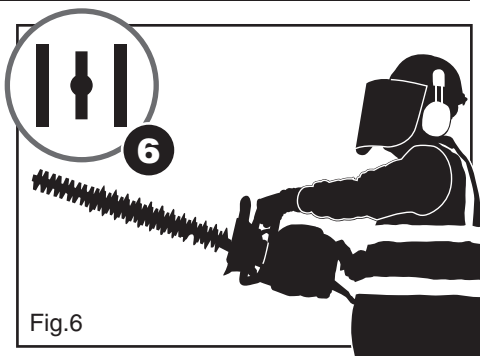





Fig.6

9.2 WARM STARTING THE ENGINE – FIGS. 7 – 8

Rest the hedge trimmer on a stable surface.

- 1 Press the ON/OFF switch  to the 'I' (ON) position.
- 2 Pump the primer  ten times until fuel is visible in the bubble. This moves the fuel up the line to the head.
- 3 Ensure the choke lever  is in the (open) position.
- 4 Press the hedge trimmer down on to a stable floor and give the recoil starter a few brisk pulls until the engine starts.
- 5 Once the engine has started continue the use of the machine in a safe manner.

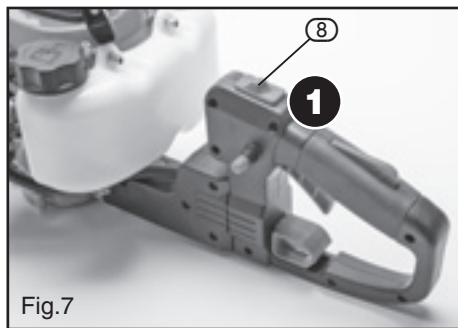


Fig.7

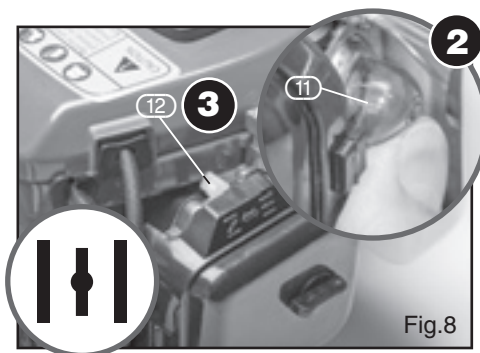


Fig.8

Note: If the engine does not start, refer to the steps highlighted in the previous section: 9.1 Cold starting the engine.

9. OPERATING INSTRUCTIONS

9.3 STOPPING THE ENGINE – FIG. 9

- 1 To stop the engine, move the ON/OFF switch (8) to the “stop” position.
- 2 **Note:** If the hedge trimmer has been running at full speed for a prolonged period allow the trimmer to idle for a few minutes before stopping the engine.

The engine shall be stopped while carrying out any other operation such as:

- Refuelling.
- Making checks or adjustments.
- Cleaning.
- Moving from one place to another by foot.
- Transporting.

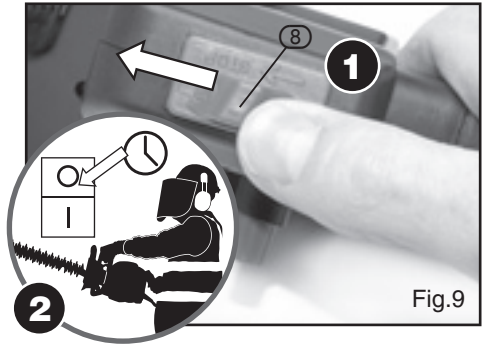


Fig.9

9.4 HORIZONTAL ROTATING REAR HANDLE – FIGS.10 – 11

The rear handle (18) can be rotated horizontally through 180° in three 90° incremental positions – ergonomically beneficial when carrying out vertical cutting duties.

- 1 To change the handle angle, first pull the rotating rear handle locking lever (17).
- 2 Twist the handle to the required angle.
- 3 The locking lever can be pressed forward to lock the handle into position either 90° left or right of its default vertical position.

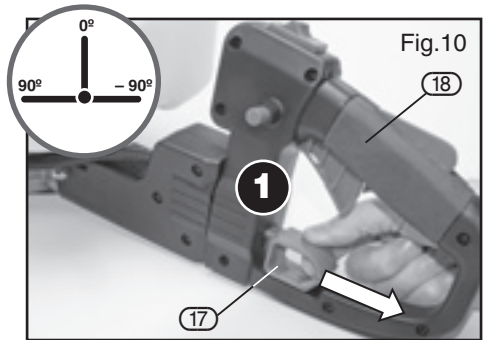


Fig.10

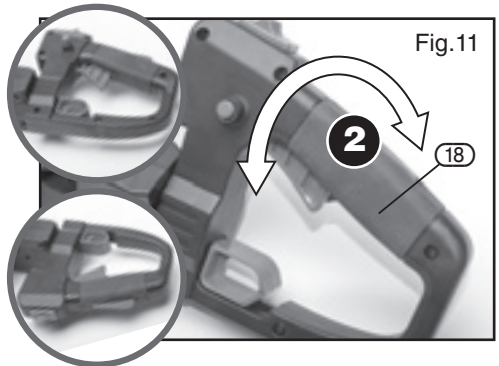


Fig.11

9.5 ENGINE IDLE SPEED ADJUSTMENT – FIG.12

- 1 Run the engine until it is warm.
- 2 Turn screw as shown, anticlockwise to decrease the engine idle speed.



Fig.12

9. OPERATING INSTRUCTIONS

9.6 HOLDING THE HEDGE TRIMMER – FIG.13

- Do not be afraid to hold the hedge trimmer power head close in to the body. In this position the weight of the trimmer will be easy to bear.
- Firmly grip the rear handle pulling it tight in to hip/thigh. With the left hand grip the front handle with thumb on the underside.
- Try to work at hip height, or bend the knees instead of the back. This will be more comfortable and a safer stance to adopt.

Warning! When operating with the engine close to your body, take extreme care to avoid exposure to the exhaust area, as the hot gasses emitted may cause burns to clothing or body.



9. OPERATING INSTRUCTIONS



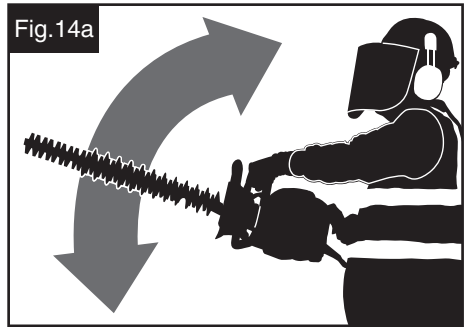
9.7 HEDGE CUTTING TECHNIQUES

Vertical Cutting – Fig.14a

The best practice is to cut the front and side of a hedge first, before finishing with the top.

- Set the cutting head at 90° either left or right as applicable for the cut required.
- Make large sweeping arcs with the cutting head, using both sides of the blade to trim material from the hedge.

Stand back at regular intervals. What 'looks' to be a straight and level cut from close up will look quite different from a distance.



Horizontal Cutting – Fig.14b

The final stage in shaping the top of a hedge.

- Set the cutting head straight.
- Make level arcs, so as to encourage the trimmings to drop to the floor.

Warning! Do not attempt to cut a hedge higher than chest height without using a safe platform.

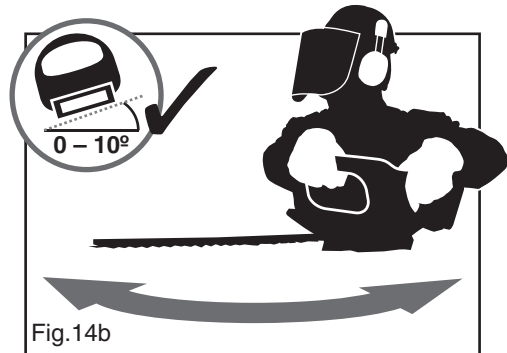
Warning! If working on a platform, do not attempt to stretch or over-reach.

When cutting with the blade set straight, tilt the cutting side of the blades toward the hedge by approximately 0 – 10°.

This hedge trimmer will enable you to cut or trim bushes and hedges. Branches which are too thick for the hedge trimmer, should be cut with an appropriate tool. Older and thicker hedges are best cut in a sawing action. The optimum cutting angle between the blade and the hedge is between 15 – 30°.

Warning! Use of this product can pose a danger to wildlife. Before attempting to use this machine, check the area, particularly long grass and under bushes for signs of life: **If necessary relocate.**

Note: Not all animals will be deterred by the noise of the product alone.



10. MAINTENANCE AND TROUBLESHOOTING

Regular maintenance tasks must be carried out at specific intervals to retain the engine's performance.

10.1 CLEANING THE AIR FILTER (FIGS.15 – 17)

A dirty, clogged air filter will restrict the air flow in to the engine and will cause rough running. It will increase fuel consumption and may result in starting problems.

Attention: Stop the engine before removing the air filter assembly.

- ➊ Set the choke lever (12) to the closed position to prevent any debris entering the carburettor inlet.
- ➋ Turn screw (13.1) on the air filter cover (13) anticlockwise to remove it.
- ➌ Lift cover (13) away at the bottom, then lift it free from the tab at the top.
- ➍ Remove the foam air filter element (13.2).
- ➎ Wash the element in warm soapy water to clean it. Do not use solvents to clean it.
- ➏ Allow the filter to dry 100% before refitting it on to the engine.
 - Refit cover (13).
 - Insert screw (13.1) and turn clockwise to tighten. Replace the filter if it appears worn or damaged.

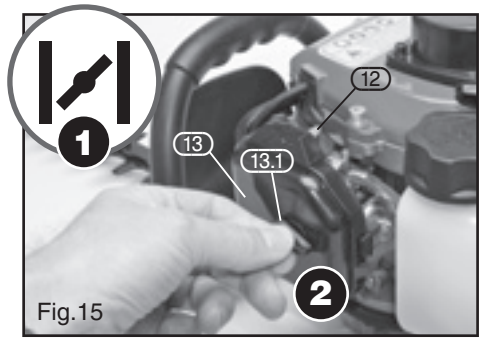


Fig.15

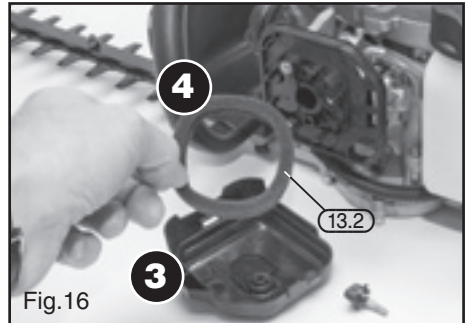


Fig.16

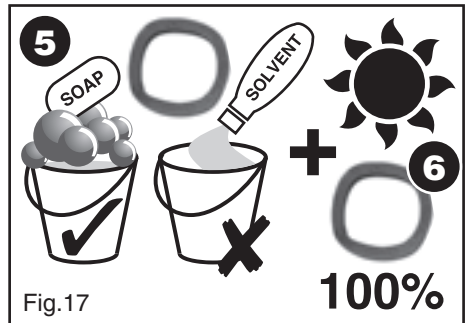


Fig.17

10.2 SPARK PLUG MAINTENANCE (FIGS.18 – 19)

Over time the spark plug can become contaminated. This can be due to adverse running conditions such as, working with part throttle for a prolonged period or a fuel mix containing too much oil. This contamination can build up causing the engine to run roughly, reduce the fuel consumption or create starting problems.

- ➊ Without using any tools so as to avoid damaging the H.T. lead, remove the lead (5) from the back of the spark plug.

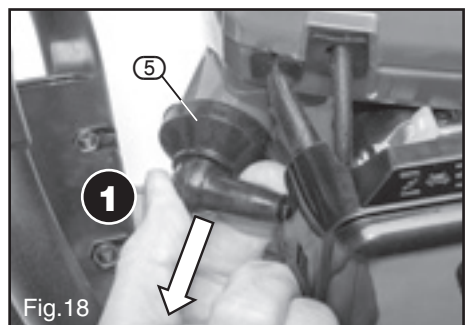


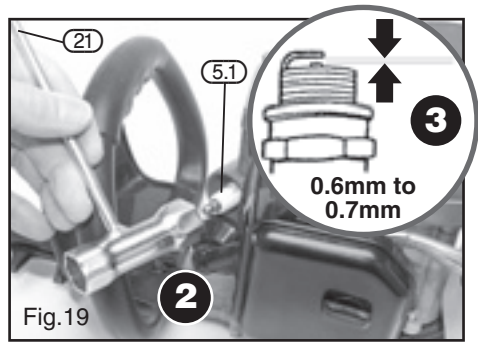
Fig.18

10. MAINTENANCE AND TROUBLESHOOTING

- Using the spark plug spanner supplied (21), turn the spark plug (5.1) anticlockwise to remove it.
- Clean the spark plug and check the electrode gap. Maintain a gap of 0.6 to 0.7mm.

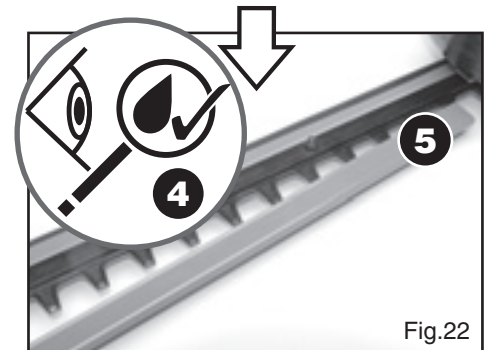
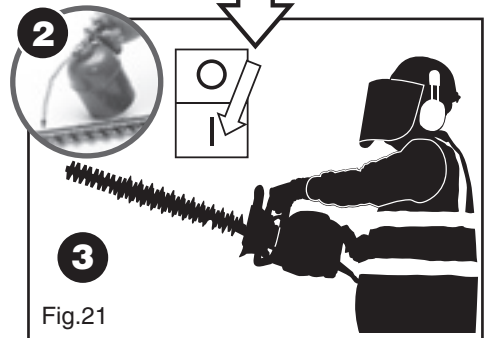
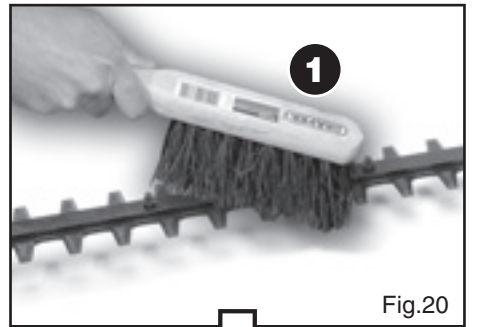
Attention: The spark plug should be replaced every 60 hours of machine use or annually during a service. The replacement plug must be a compatible resistor type plug with the same heat range.

Warning! Make sure you correctly seat the spark plug thread in to the engine before screwing it clockwise in to the head.



10.3 CLEANING AND LUBRICATION – FIGS. 20 – 22

- Blades should be cleaned of any organic matter, sap, debris and resin before and after each use to maintain optimum performance.
- Use an environmentally friendly oil to lubricate the cutting blade before storing.
- Operate the cutting blades to allow the oil to work into the blades.
- Carry out steps 2 – 3 several times more then check the blade has sufficient overall lubrication.
- Store the hedge trimmer away with the blade cover in place.



10. MAINTENANCE AND TROUBLESHOOTING

10.4 TROUBLESHOOTING GUIDE

| Fault | Possible cause | Remedy |
|---|---|--|
| Hedge trimmer does not start. | <ol style="list-style-type: none">1. No fuel in the tank.2. The STOP/START switch is in the STOP position.3. The choke was not returned to the open position after initial firing.4. The motor is flooded (the spark plug is wet).5. Water or condensation in the tank.6. The spark plug is dirty.7. The distance between the spark plug electrodes is wrong. | <ol style="list-style-type: none">1. Refuel tank.2. Put the switch in the START position.3. Move the choke lever to open. If the motor is flooded, see the following point.4. Unscrew the plug, dry it, pull the start cable several times and replace the spark plug.5. Clean the tank with petrol and then refill it with new 2-stroke that does not contain water.6. Clean the spark plug.7. Reset spark plug electrode gap to 0.6 - 0.7mm. |
| The motor starts but does not reach standard rpm. | <ol style="list-style-type: none">1. The air filter is dirty or wet.2. The spark plug is dirty.3. Condensation is in the tank.4. The silencer is blocked. | <ol style="list-style-type: none">1. Clean the filter.2. Remove the spark plug and use a brush to clean off any excess carbon. Replace if necessary.3. Clean the tank with petrol and then refill it with new 2-stroke that does not contain condensation.4. Clean the exhaust pipe. If this does not work, then contact an authorised service agent. |
| The motor does not hold the minimum rpm. | <ol style="list-style-type: none">1. The tank breather pipe is clogged (build up of impurities around the end of the pipe).2. The air filter is dirty.3. The spark plug is dirty.4. The screw for the carburettor minimum is set incorrectly. | <ol style="list-style-type: none">1. Clean the breather pipe.2. Clean with brush, hot water and soap or another non-flammable liquid detergent. Leave to dry then refit.3. Remove the spark plug and use a brush to clean off any excess carbon. Replace if necessary.4. Turn the carburettor minimum screw clockwise. At minimum speed, the blades must not move, but the engine must still be running. |

4. INTRODUCTION

10.5 CLEANING AND MAINTENANCE OVERVIEW

| Prior to every start. | |
|--|-------------------------------|
| 1. Check/clean/replace air filter element. | 1. See section 10.1. |
| 2. Check the pull starter for damage to the starter . | 2. Visual inspection/testing. |
| 3. Checking threaded connections for tightness. | 3. Visual inspection/testing. |
| 4. Remove dirt and debris from the machine's exterior | 4. Visual inspection. |
| 5. Inspect engine cooling fins for accumulations of dirt and debris, clean as necessary. | 5. Visual inspection. |
| Every 10 operating hours (more frequently in dusty conditions). | |
| 1. Check/clean/replace air filter element. | 1. See section 10.1. |
| Every 10/15 operating hours. | |
| 1. Check/clean/replace spark plug. | 1. See section 10.2. |
| Every 50 operating hours. (more frequently for reduced engine performance). | |
| 1. Inspect the entire machine and tubes for damage, including loose or missing components and repair as necessary. | 1. Visual inspection. |
| 2. Replace spark plug. | 2. See section 10.2. |

10.6 STORING THE MACHINE FOR AN EXTENDED PERIOD OF TIME (3 MONTHS OR LONGER)

Before an extended period of disuse, you must remove the fuel from the machine.

- Drain the fuel tank, then start the engine and let it run until it stops of its own accord.
- Lubricate the blades moving surfaces and wipe clean with an oily cloth.

11. EXPLANATION OF SYMBOLS

11.1 EXPLANATION OF SYMBOLS



Single value noise marking.
(Maximum declared
A-Weighted sound power level
in decibels).



Fuel/2-stroke oil mixture ratio.



Warning!
Wear suitable protective clothing
and suitable gloves.



Strictly no naked flames or
smoking near the appliance.



Warning!
Wear suitable face protection.



Choke closed.



Warning!
Wear suitable head and ear
protection.



Choke open.



Warning!
Read the instruction manual.



Warning!
Keep out of the reach of children.



Warning!
Keep bystanders away.



Warning!
Risk of danger to wildlife.



Warning!
Hot surface.

12. DISPOSAL

12.1 DISPOSAL

- At the end of the machine's working life, or when it can no longer be repaired, ensure that it is disposed of according to national regulations.
- Contact your local authority for details of collection schemes in your area.

In all circumstances:

- Do not dispose of power tools with domestic waste.
- Do not incinerate.
- Do not abandon in the environment.
- When decommissioning (preparing the machine to be scrapped) drain any remaining fuel and oil for separate disposal.

CONTACTS

- **DRAPER TOOLS LIMITED,**
Hursley Road, Chandler's Ford,
Eastleigh, Hampshire. SO53 1YF. U.K.
- **Helpline:** (023) 8049 4344
- **Sales Desk:** (023) 8049 4333
- **Internet:** www.drapertools.com
- **E-mail:** sales@drapertools.com
- **Sales Fax:** (023) 8049 4209
- **General Enquiries:** (023) 8026 6355
- **Service/Warranty Repair Agent**
For aftersales servicing or warranty repairs, please contact the Draper Tools Helpline for details of an agent in your local area.

YOUR DRAPER STOCKIST

KCCH0317

©Published by Draper Tools Limited.

No part of this publication may be reproduced, stored in a retrieval system or transmitted in any form or by any means, electronic, mechanical photocopying, recording or otherwise without prior permission in writing from Draper Tools Ltd.