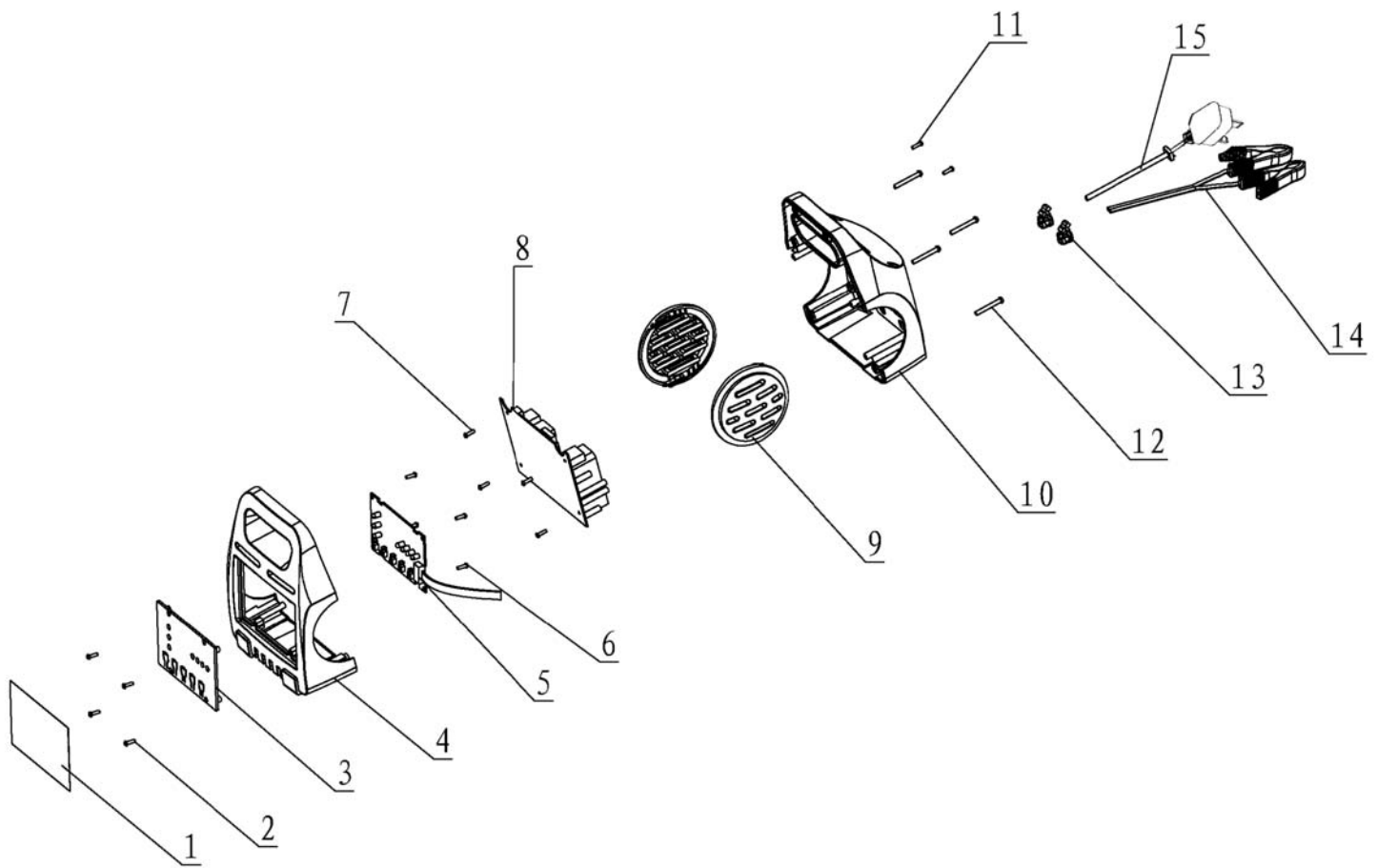




SPARE PARTS LISTING & DRAWING SHEET FOR
**6V/12V Intelligent
 Battery Charger**

Stock No.33861

Part No.BCIB



KEY No.	PART No.	STOCK No.	DESCRIPTION
1	Y-BCIB-1	33933	Front panel label
2	Y-BCIB-2	33934	Self tapping screw
3	Y-BCIB-3	33935	Control panel
4	Y-BCIB-4	33936	Front cover
5	Y-BCIB-5	33938	Control panel PCB
6	Y-BCIB-6	33945	Self tapping screw
7	Y-BCIB-7	33947	Self tapping screw
8	Y-BCIB-8	33997	Main power PCB

KEY No.	PART No.	STOCK No.	DESCRIPTION
9	Y-BCIB-9	33998	Side cover
10	Y-BCIB-10	33999	Back cover
11	Y-BCIB-11	34021	Self tapping screw
12	Y-BCIB-13	34024	Self tapping screw
13	Y-BCIB-12	34022	Cord grip
14	Y-BCIB-14	34025	Output cables
15	Y-BCIB-15	34026	Power cable with 3 pin plug

Helpline: (023) 8049 4344. Sales Desk: (023) 8049 4333. General Enquiries: (023) 8026 6355.

DRAPER TOOLS LTD, HURSLEY ROAD, CHANDLER'S FORD, EASTLEIGH, HANTS. SO53 1YF. U.K website: www.drapertools.com e-mail: sales@drapertools.com

KCDH141113