



SPARE PARTS LISTING SHEET FOR

250W 230V Variable Speed Metal Lathe

Stock No.33893

Part No.LATHE-300

KEY No.	PART No.	STOCK No.	DESCRIPTION
1	YLATHE-300-01	37343	Bed
2	YLATHE-300-02	37363	3 jaws chuck
3	YLATHE-300-03	37381	Spindle
4	YLATHE-300-04	37421	Screw M6 x 25
6	YLATHE-300-06	37422	Nut M6
7	YLATHE-300-07	37424	Key M5 x 40
8	YLATHE-300-08	37425	Key M4 x 8
9	YLATHE-300-09	37426	Screw M5 x 12
10	YLATHE-300-10	37427	Cover
11	YLATHE-300-11	37428	Ball bearing
12	YLATHE-300-12	37429	Spacer
13	YLATHE-300-13	37430	Head stock casting
14	YLATHE-300-14	37431	H/L gear 21T/29T
15	YLATHE-300-15	37440	Spacer
16	YLATHE-300-16	37469	Spur gear 45T
17	YLATHE-300-17	37518	Nut M27 x 1.5
18	YLATHE-300-18	37594	Set screw M5 x 8
19	YLATHE-300-19	37846	Steel ball
20	YLATHE-300-20	37866	Compression spring
21	YLATHE-300-21	37867	Screw M6 x 6
22	YLATHE-300-22	37868	Retaining ring M12
23	YLATHE-300-23	37876	Ball bearing
24	YLATHE-300-24	37877	H/L gear 12T/20T
25	YLATHE-300-25	37919	Parallel key M4 x 45
26	YLATHE-300-26	37920	H/L gear shaft
27	YLATHE-300-27	37921	Pulley
28	YLATHE-300-28	38018	Retaining ring M10
29	YLATHE-300-29	38022	Timing belt
30	YLATHE-300-30	38023	Shifting fork
31	YLATHE-300-31	38024	Shifting arm
32	YLATHE-300-32	38025	Shifting knob
33	YLATHE-300-33	38026	Shifting lever
34	YLATHE-300-34	38027	Shifting grip
35	YLATHE-300-35	38028	Handle
36	YLATHE-300-36	38029	Handle mount

KEY No.	PART No.	STOCK No.	DESCRIPTION
37	YLATHE-300-37	38031	Spring
38	YLATHE-300-38	38032	Indicator
39	YLATHE-300-39	38033	Pinion 25T
40	YLATHE-300-40	38034	Support screw
41	YLATHE-300-41	38035	Pinion 20T
42	YLATHE-300-42	38036	Fixed cover
43	YLATHE-300-43	38037	Screw M6 x 20
45	YLATHE-300-45	38039	Gear 45T
46	YLATHE-300-46	38040	Shaft
47	YLATHE-300-47	38041	Parallel key 3 x 8
48	YLATHE-300-48	38043	Mount
49	YLATHE-300-49	38044	Screw M5 x 18
50	YLATHE-300-50	38045	Pinion 20T
51	YLATHE-300-51	38046	Washer M6
52	YLATHE-300-52	38047	Screw M6 x 8
53	YLATHE-300-53	38048	Cover
54	YLATHE-300-54	38050	Screw M5 x 45
55	YLATHE-300-55	38052	Threads cutting chart
56	YLATHE-300-56	38053	Screw M5 x 8
57	YLATHE-300-57	38054	Washer M5
58	YLATHE-300-58	38055	Bush
59	YLATHE-300-59	38056	Gear 80T
60	YLATHE-300-60	38058	Shaft
61	YLATHE-300-61	38059	Support plate
62	YLATHE-300-62	38060	Washer M8
63	YLATHE-300-63	38061	Nut M8
64	YLATHE-300-64	38062	Shaft
67	YLATHE-300-67	38038	Screw M6 x 16
69	YLATHE-300-69	38063	Set screw M4 x 10
70	YLATHE-300-70	38064	Apron
71	YLATHE-300-71	38065	Gib strip
72	YLATHE-300-72	38066	Washer
73	YLATHE-300-73	38067	Screw M4 x 8
74	YLATHE-300-74	38068	Shaft
75	YLATHE-300-75	38069	Half nut base

Helpline: (023) 8049 4344. Sales Desk: (023) 8049 4333. General Enquiries: (023) 8026 6355.

DRAPER TOOLS LTD, HURSLEY ROAD, CHANDLER'S FORD, EASTLEIGH, HANTS. SO53 1YF. U.K. internet: www.draper.co.uk e-mail: sales@drapertools.com

NWKC010710



SPARE PARTS LISTING SHEET FOR

250W 230V Variable Speed Metal Lathe

Stock No.33893

Part No.LATHE-300

KEY No.	PART No.	STOCK No.	DESCRIPTION
76	YLATHE-300-76	38070	Angle block
77	YLATHE-300-77	38071	Screw M4 x 10
78	YLATHE-300-78	38072	Groove cam
79	YLATHE-300-79	38078	Handle
80	YLATHE-300-80	38093	Shaft
81	YLATHE-300-81	38103	Gear
82	YLATHE-300-82	38104	Gear
83	YLATHE-300-83	38109	Screw M6 x 10
84	YLATHE-300-84	38132	Wheel
85	YLATHE-300-85	38261	Knob+screw M8 x 55 +Nut M8
86	YLATHE-300-86	38262	Handle
87	YLATHE-300-87	38270	Dial
88	YLATHE-300-88	38341	Bracket
89	YLATHE-300-89	38343	Screw
90	YLATHE-300-90	38405	Nut M5
91	YLATHE-300-91	38406	Screw M6 x 12
92	YLATHE-300-92	38407	Slide plate
93	YLATHE-300-93	38408	Saddle
94	YLATHE-300-94	38409	Gib strip
95	YLATHE-300-95	38410	Nut
96	YLATHE-300-96	38411	Swivel disc
97	YLATHE-300-97	38412	Screw M8 x 20
98	YLATHE-300-98	38414	Nut M4
99	YLATHE-300-99	38415	Screw M4 x 16
100	YLATHE-300-100	38424	Cross slide
101	YLATHE-300-101	38652	Screw M5 x 10
102	YLATHE-300-102	38653	Screw M4 x 8
105	YLATHE-300-105	38654	Compound rest (B)
106	YLATHE-300-106	38656	Screw M4 x 14
107	YLATHE-300-107	38662	Gib strip
108	YLATHE-300-108	38759	Compound rest (A)
109	YLATHE-300-109	38760	Positioning pin
110	YLATHE-300-110	38761	Screw M6 x 25
111	YLATHE-300-111	38762	Clamping lever
112	YLATHE-300-112	38763	Tool rest

KEY No.	PART No.	STOCK No.	DESCRIPTION
113	YLATHE-300-113	38764	Stud M10 x 65
114	YLATHE-300-114	38765	Cross feeding screw
115	YLATHE-300-115	38766	Bracket
116	YLATHE-300-116	38767	Screw M4 x 12
119	YLATHE-300-119	38768	Nut M18
120	YLATHE-300-120	-	Model label
122	YLATHE-300-122	-	Switch label
123	YLATHE-300-123	38769	Control box
124	YLATHE-300-124	38770	Plug & cable
125	YLATHE-300-125	38771	Rubber foot
126	YLATHE-300-126	38772	Chip tray
127	YLATHE-300-127	38773	Bracket
128	YLATHE-300-128	38774	Key M3 x 16
129	YLATHE-300-129	38775	Screw
131	YLATHE-300-131	38776	Bracket
133	YLATHE-300-133	38777	Screw M3 x 10
134	YLATHE-300-134	38778	Rack
135	YLATHE-300-135	38779	Clamp plate
136	YLATHE-300-136	38781	Washer M10
137	YLATHE-300-137	38782	Screw M5 x 16
138	YLATHE-300-138	38783	Tailstock casting
139	YLATHE-300-139	38784	Tailstock screw
140	YLATHE-300-140	38785	Bracket
141	YLATHE-300-141	38786	Screw M4 x 10
142	YLATHE-300-142	38787	Tailstock sleeve
143	YLATHE-300-143	38788	Centre
144	YLATHE-300-144	38790	Stud M8 x 40
145	YLATHE-300-145	38791	Clamp
146	YLATHE-300-146	38792	Handle
148	YLATHE-300-148	38793	Pulley
150	YLATHE-300-150	38794	Motor
151	YLATHE-300-151	38795	Cover
152	YLATHE-300-152	38796	Rubber pipe
153	YLATHE-300-153	38797	Rear splash guard
154	YLATHE-300-154	-	F/N/R label

Helpline: (023) 8049 4344. Sales Desk: (023) 8049 4333. General Enquiries: (023) 8026 6355.

DRAPER TOOLS LTD, HURSLEY ROAD, CHANDLER'S FORD, EASTLEIGH, HANTS. SO53 1YF. U.K. internet: www.draper.co.uk e-mail: sales@drapertools.com



SPARE PARTS LISTING SHEET FOR

250W 230V Variable Speed Metal Lathe

Stock No.33893

Part No.LATHE-300

KEY No.	PART No.	STOCK No.	DESCRIPTION
155	YLATHE-300-155	-	H/L label
156	YLATHE-300-156	-	Warning label
157	YLATHE-300-157	38798	Gear 30T
158	YLATHE-300-158	38862	Gear 35T
159	YLATHE-300-159	38864	Gear 40T
160	YLATHE-300-160	38865	Gear 45T
161	YLATHE-300-161	38866	Gear 50T
162	YLATHE-300-162	38867	Gear 55T
163	YLATHE-300-163	38868	Gear 57T
164	YLATHE-300-164	33869	Gear 60T
165	YLATHE-300-165	38870	Gear 65T
170	YLATHE-300-170	38871	Screw M3 x 5
171	YLATHE-300-171	38872	Clamp block
172	YLATHE-300-172	38873	Ring
173	YLATHE-300-173	38874	Screw M5 x 10
174	YLATHE-300-174	38875	Protector
175	YLATHE-300-175	38876	Screw M5 x 10
176	YLATHE-300-176	38877	Nut M6
177	YLATHE-300-177	38878	Screw M6 x 25
178	YLATHE-300-178	38879	Emergency stop switch
179	YLATHE-300-179	38880	Fuse box
180	YLATHE-300-180	38881	Variable speed control knob
181A	YLATHE-300-181A	02899	Potentiometer
181	YLATHE-300-181	38882	F/O/R switch
182	YLATHE-300-182	38883	PC board
183	YLATHE-300-183	38884	Electric filter
184	YLATHE-300-184	38885	Screw M5*10
185	YLATHE-300-185	38886	Spring washer 5
186	YLATHE-300-186	38887	Washer 5
187	YLATHE-300-187	38888	Key 3*16

KEY No.	PART No.	STOCK No.	DESCRIPTION
188	YLATHE-300-188	38890	Small spacer
190	YLATHE-300-190	38891	Spring
191	YLATHE-300-191	38892	Washer 8
192	YLATHE-300-192	38893	Spring washer 6
193	YLATHE-300-193	38894	Screw M8*55
194	YLATHE-300-194	38900	Screw M4*38
195	YLATHE-300-195	39002	Nut M4
196	YLATHE-300-196	39011	Plate of tailstock
197	YLATHE-300-197	39012	Screw M5*16
198	YLATHE-300-198	39013	Ring
199	YLATHE-300-199	39014	Screw M5*25
200	YLATHE-300-200	39015	Key 3*12
201	YLATHE-300-201	39016	Chuck guard
202	YLATHE-300-202	39017	Shaft
205	YLATHE-300-205	39018	Spring washer 6
206	YLATHE-300-206	39019	Big washer 6
207	YLATHE-300-207	39020	Screw M6*25
208	YLATHE-300-208	39021	Flat washer 6
209	YLATHE-300-209	39022	Screw M3*4
210	YLATHE-300-210	39023	Cover of switch
211	YLATHE-300-211	39024	Screw M5*16
212	YLATHE-300-212	39025	Block
251	YLATHE-300-251	39029	Pressed spring
252	YLATHE-300-252	39030	Spinner
253	YLATHE-300-253	39031	Screw ST2.9*4.5
254	YLATHE-300-254	39032	Cover
255	YLATHE-300-255	39033	Micro switch
256	YLATHE-300-256	39037	Thin nut M6

Helpline: (023) 8049 4344. Sales Desk: (023) 8049 4333. General Enquiries: (023) 8026 6355.

DRAPER TOOLS LTD, HURSLEY ROAD, CHANDLER'S FORD, EASTLEIGH, HANTS. SO53 1YF. U.K. internet: www.draper.co.uk e-mail: sales@drapertools.com

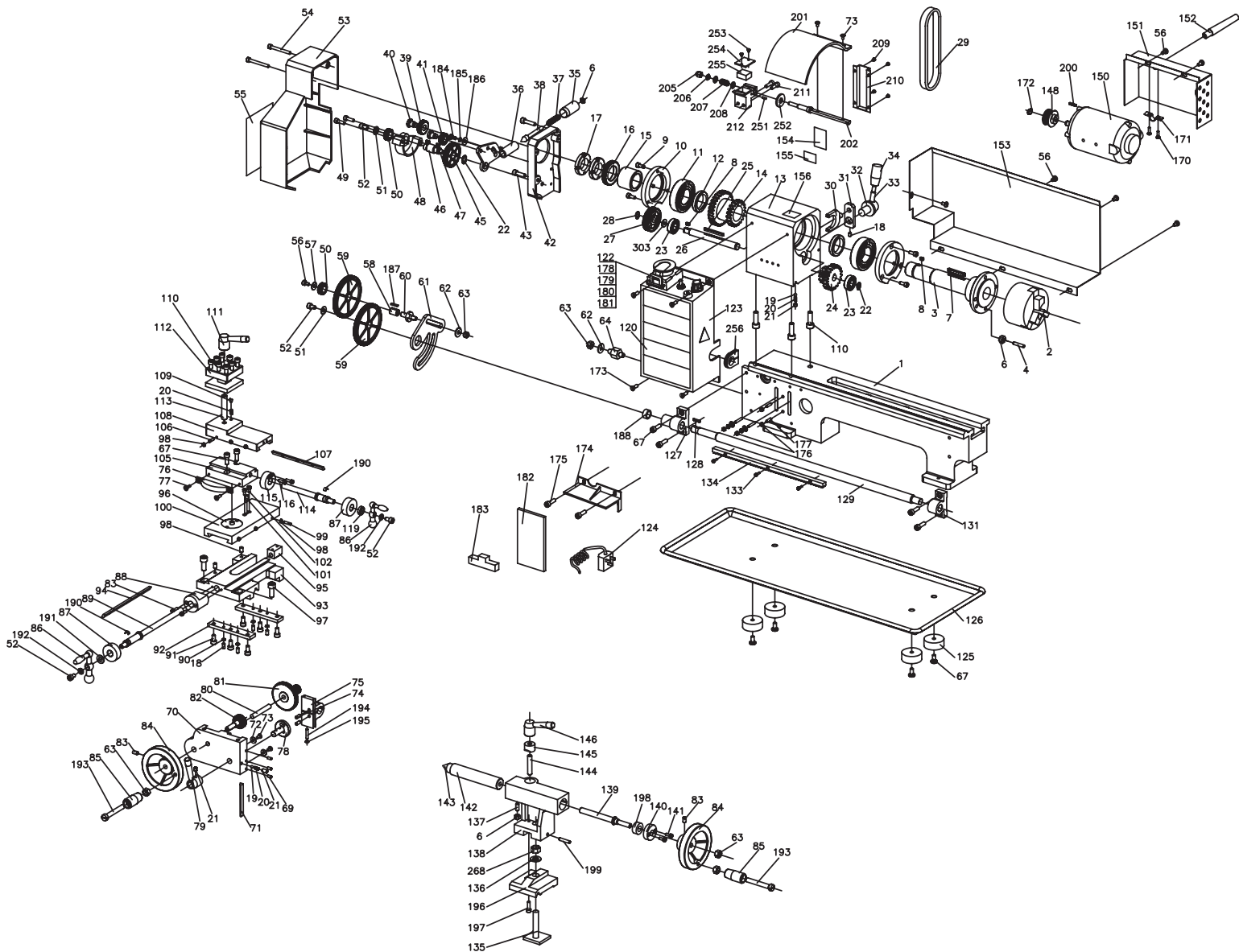


SPARE PARTS DRAWING SHEET FOR

250W 230V Variable Speed Metal Lathe

Stock No.33893

Part No.LATHE-300



Helpline: (023) 8049 4344. Sales Desk: (023) 8049 4333. General Enquiries: (023) 8026 6355.

DRAPER TOOLS LTD, HURSLEY ROAD, CHANDLER'S FORD, EASTLEIGH, HANTS. SO53 1YF. U.K. internet: www.drapertools.co.uk e-mail: sales@drapertools.com