



SPARE PARTS LISTING SHEET FOR

230V 350W Water Butt Pump

Stock No.36327

Part No.WBP2A

KEY No.	PART No.	STOCK No.	DESCRIPTION
1	Y-WBP2A-01	38166	Cable with UK 3 pin plug
2	Y-WBP3A-01	36707	Screw
3	Y-WBP2A-03	38167	Seal
4	Y-WBP2A-04	38168	Pump head
5	Y-WBP2A-05	38169	Capacitor
6	Y-WBP2A-06	38170	Capacitor block
7	Y-WBP3A-13	36721	Main seal
8	Y-WBP2A-08	38171	Motor
9	Y-WBP3A-14	36722	Middle part
10	Y-WBP3A-08	36716	Screw
11	Y-WBP3A-15	36723	Seal
12	Y-WBP3A-17	36725	Screw
13	Y-WBP3A-19	36727	Base part
14	Y-WBP3A-18	36726	Sponge filter
15	Y-WBP2A-15	38172	Devision part

KEY No.	PART No.	STOCK No.	DESCRIPTION
16	Y-WBP3A-20	36728	Screw
17	Y-WBP3A-21	36729	Steel ball
18	Y-WBP2A-18	38176	Impeller
20	Y-WBP2A-20	38177	Screw
21	Y-WBP3A-04	36711	Blocks
24	Y-WBP3A-26	36734	Cable protector
25	Y-WBP3A-27	36735	Pump handle
26	Y-WBP3A-31	36739	Adaptor
27	Y-WBP3A-34	36742	Hanging sleeve
28	Y-WBP2A-28	38178	Tube block
29	Y-WBP3A-31	36739	Adaptor
30	Y-WBP2A-30	42991	Cable blocks
31	Y-WBP2A-31	42994	Blocks
32	Y-WBP2A-32	43006	Float switch
33	Y-WBP2A-33	43014	Gasket

Helpline: (023) 8049 4344. Sales Desk: (023) 8049 4333. General Enquiries: (023) 8026 6355.

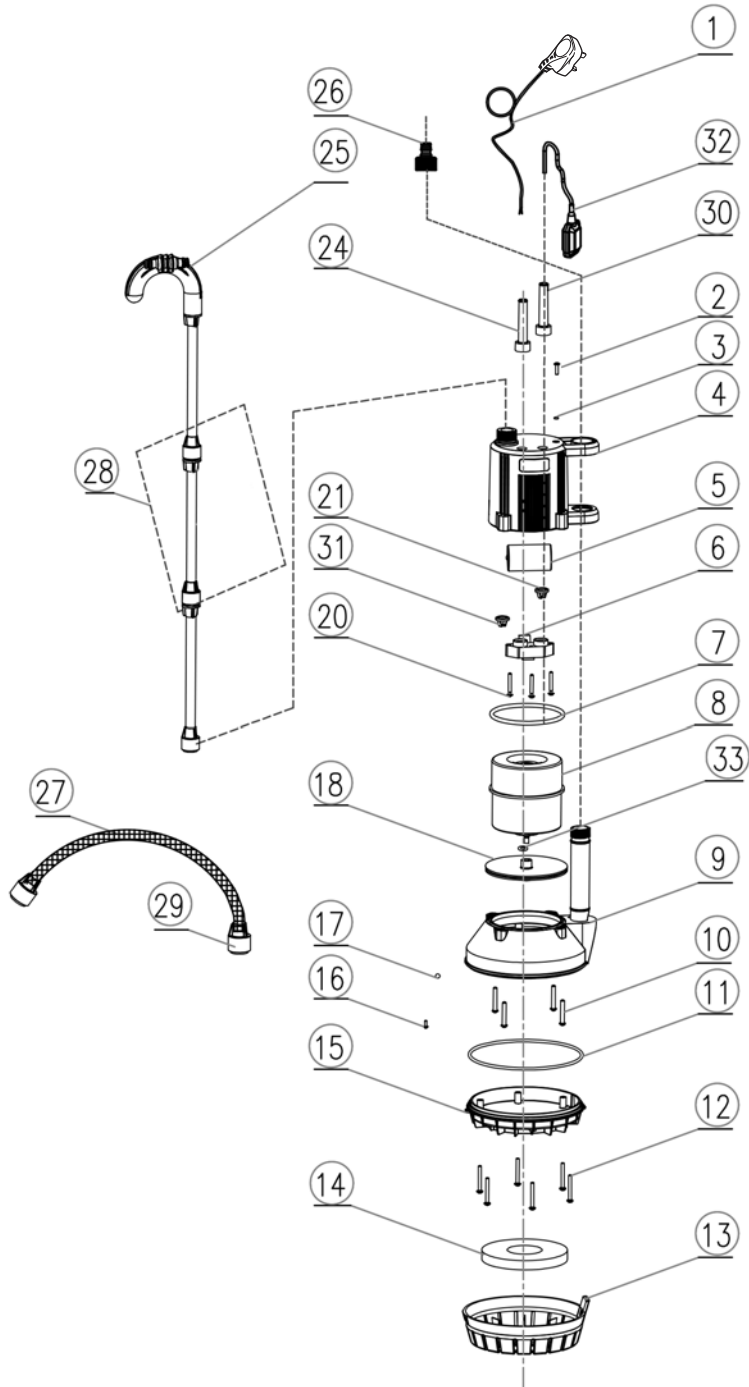
DRAPER TOOLS LTD, HURSLEY ROAD, CHANDLER'S FORD, EASTLEIGH, HANTS. SO53 1YF U.K website: www.drapertools.com e-mail: sales@drapertools.com



SPARE PARTS DRAWING SHEET FOR
230V 350W
Water Butt Pump

Stock No.36327

Part No.WBP2A



Helpline: (023) 8049 4344. **Sales Desk:** (023) 8049 4333. **General Enquiries:** (023) 8026 6355.

DRAPER TOOLS LTD, HURSLEY ROAD, CHANDLER'S FORD, EASTLEIGH, HANTS. SO53 1YF. U.K website: www.drapertools.com e-mail: sales@drapertools.com