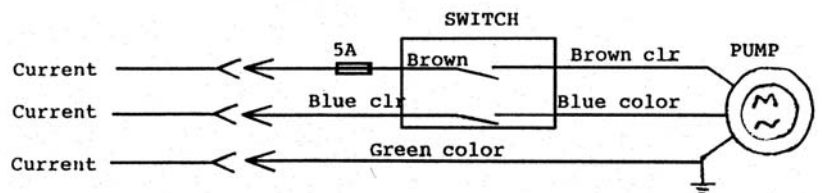
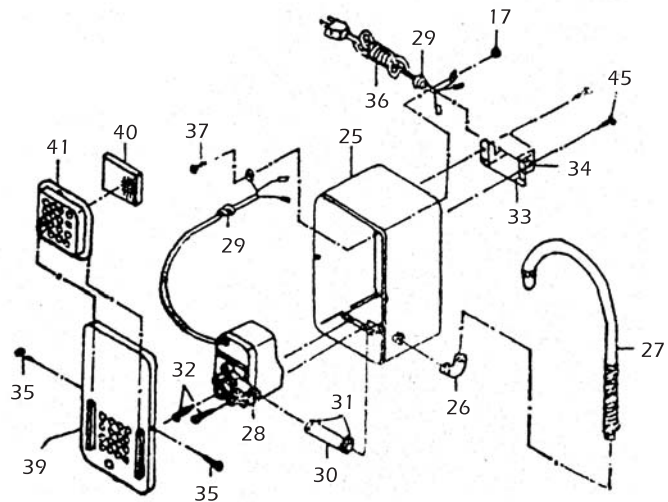
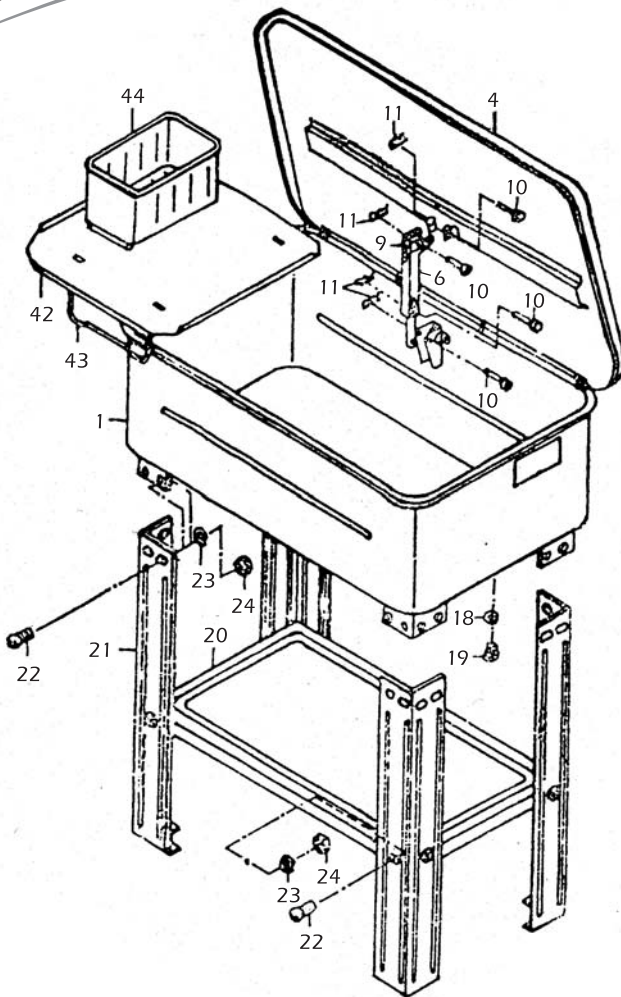


# DRAPER

## PARTS LISTING & DRAWING SHEET FOR 76L Floor Standing Parts Washer

Stock No.37825 Part No.DPW1



KEY No.	PART No.	STOCK No.	DESCRIPTION
1	YDPW1-01	38674	Tank
4	YDPW1-04	38675	Tank Lid
6	YDPW1-06	38676	Safety Lever
9	YDPW1-09	38677	Safety Plate
10	YDPW1-10	38678	Pin
11	YDPW1-11	38679	Spring Pin
17	YDPW1-17	38680	Nut
18	YDPW1-18	38681	"O" Ring
19	YDPW1-19	38682	Drain Plug
20	YDPW1-20	38683	Shelf
21	YDPW1-21	38684	Leg
22	YDPW1-22	38685	Screw
23	YDPW1-23	38686	Spring Washer
24	YDPW1-24	38687	Nut
25	YDPW1-25	38688	Pump Housing
26	YDPW1-26	38689	Elbow
27	YDPW1-27	38690	Flexible Pipe

KEY No.	PART No.	STOCK No.	DESCRIPTION
28	YDPW1-28	38691	Pump
29	YDPW1-29	38692	Strain Relief
30	YDPW1-30	38693	Hose
31	YDPW1-31	38694	Hose Clamp
32	YDPW1-32	38695	Screw
33	YDPW1-33	38696	Switch Box
34	YDPW1-34	38697	Switch
35	YDPW1-35	38698	Screw
36	YDPW1-36	38699	Moulded Plug and Cable
37	YDPW1-37	38700	Screw
39	YDPW1-39	38701	Pump Housing Cover
40	YDPW1-40	38702	Filter
41	YDPW1-41	38703	Filter Cover
42	YDPW1-42	38704	Work Shelf
43	YDPW1-43	38705	Work Shelf Leg
44	YDPW1-44	38706	Work Basket
45	YDPW1-45	38707	Screw

**Helpline: (023) 8049 4344. Sales Desk: (023) 8049 4333. General Enquiries: (023) 8026 6355.**

DRAPER TOOLS LTD, HURSLEY ROAD, CHANDLER'S FORD, EASTLEIGH, HANTS. SO53 1YF. U.K website: www.drapertools.com e-mail: sales@drapertools.co m

PJDH250315