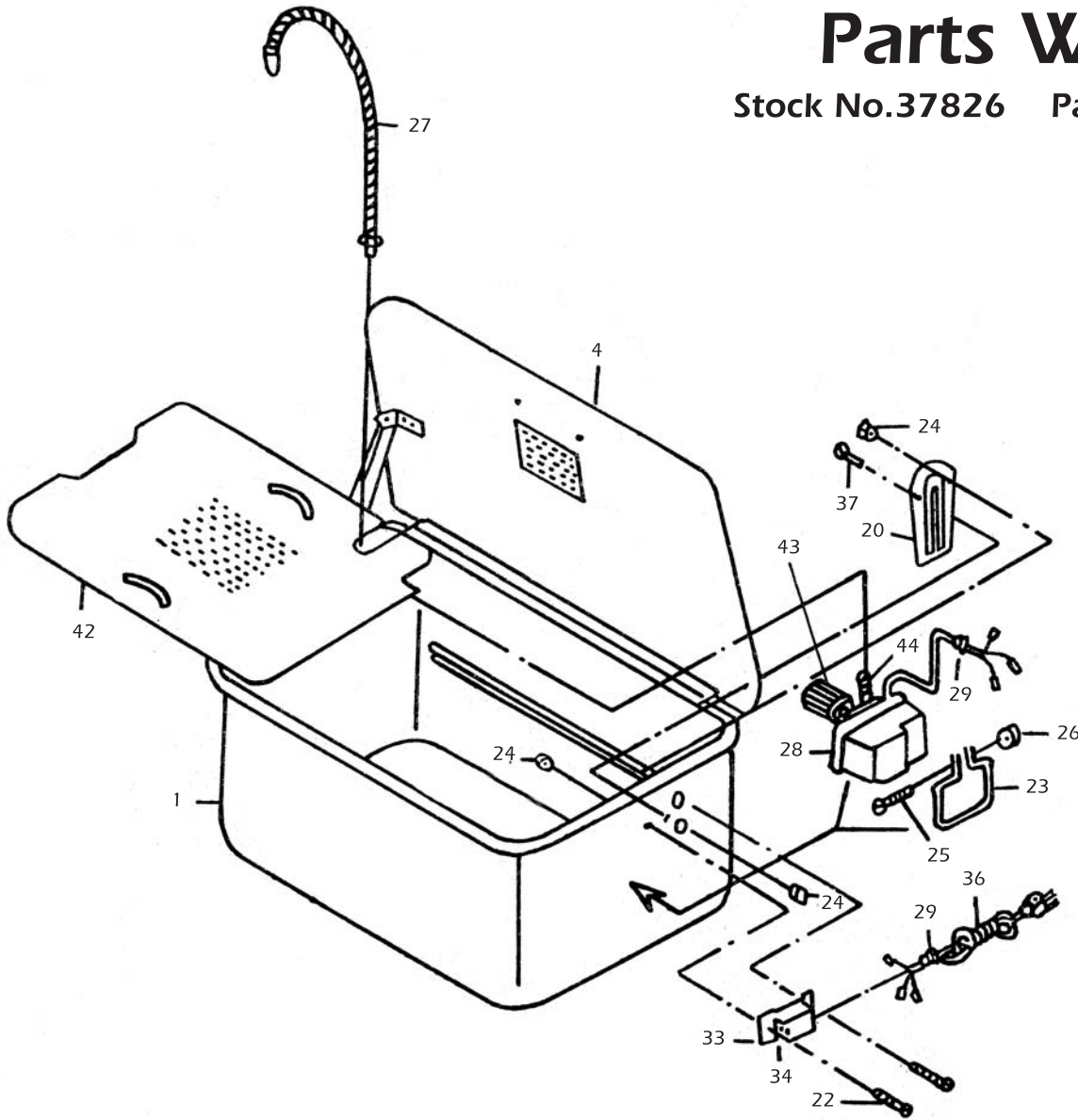


DRAPER®

PARTS LISTING & DRAWING SHEET FOR 12 Litre Bench-Mounted Parts Washer

Stock No.37826 Part No.DPW2



KEY No.	PART No.	STOCK No.	DESCRIPTION
1	YDPW2-01	38571	Tank
4	YDPW2-04	38572	Tank Lid
20	YDPW2-20	38573	Cord Clamp
22	YDPW2-22	38574	Screw
23	YDPW2-23	38575	Clamp
24	YDPW2-24	38576	Nut
25	YDPW2-25	38577	Screw
26	YDPW2-26	38578	Nut
27	YDPW2-27	38579	Flexible Pipe

KEY No.	PART No.	STOCK No.	DESCRIPTION
28	YDPW2-28	38580	Pump
29	YDPW2-29	38581	Strain Relief
33	YDPW2-33	38582	Switch Box
34	YDPW2-34	38583	On/Off Switch
36	YDPW2-36	38584	Power Lead
37	YDPW2-37	38585	Screw
42	YDPW2-42	38586	Work Shelf
43	YDPW2-43	51925	Filter
44	YDPW2-44	51926	Pipe Mounting

Helpline: (023) 8049 4344. **Sales Desk:** (023) 8049 4333. **General Enquiries:** (023) 8026 6355.

DRAPER TOOLS LTD, HURSLEY ROAD, CHANDLER'S FORD, EASTLEIGH, HANTS. SO53 1YF U.K website: www.drapertools.com e-mail: sales@drapertools.co m

PJDH250315