

COMPOUND MITRE SAW

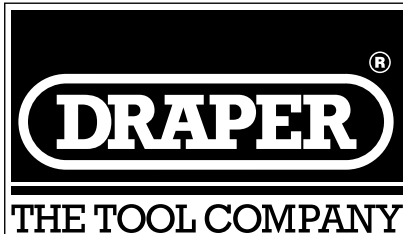
■ STOCK No.52352 230V ■ PART No.MS250.
55810 (110V)

SPARE PARTS LISTING

01/2001

KEY No.	PART No.	STOCK No.	DESCRIPTION
1	Y900206-001	52431	Locking knob
2	Y021203-001	52432	Spring washer
3	Y021109-001	52433	Washer
4	Y022300-001	52434	Nut
5	Y021611-000	52435	Wave washer
6	Y021117-001	52436	Washer
8	Y020314-005	52438	Screw
9	Y021120-003	52439	Washer
10	Y224037-000	52440	Fence
11	Y020804-000	52441	Screw
12	YB03188-000	64612	Table insert
13	Y028304-003	52443	Bolt
14	Y900475-000	52444	Table assembly
15	Y221013-000	52446	Base
16	Y270305-000	52447	Upper mitre arm
19	Y303229-000	52448	Mitre grip
20	Y303018-004	52449	Mitre handle
21	Y021117-001	52436	Washer
23	Y022300-001	52434	Nut
24	Y240050-000	52450	Lower mitre arm
25	Y021120-003	52439	Washer
26	Y021204-003	52451	Spring washer
27	Y020602-005	52452	Screw
28	Y020701-009	52453	Screw and washer
29	Y270316-000	52454	Plate clamp
30	Y028201-003	52455	Shaft
31	Y020301-009	52456	Screw
32	Y022111-001	52457	Nut
33	Y026105-007	52458	Pin
34	Y270246-000	52459	Indicator
35	Y020716-001	52460	Screw and washer
36	Y224039-000	52462	Table
37	Y303198-000	52463	Mitre
38	Y303243-000	52464	Shoe
39	Y375001-000	52465	Brush (230V)
39	Y375001-000	56452	Brush (110V)
40	Y303004-000	52466	Brush cover
41	Y022302-001	52467	Nut

KEY No.	PART No.	STOCK No.	DESCRIPTION
42	Y021110-001	52468	Washer
43	Y224064-000	52469	Gear housing
44	Y029209-001	52470	Torsion spring
45	Y026305-001	52471	Latch pin
46	Y025100-001	52472	O-ring
47	Y225064-000	52473	Pivot
48	Y028919-001	52474	Pivot bolt
49	Y020704-001	52475	Screw
50	Y270262-000	52476	Wrench clip
51	Y270181-000	52477	Wrench
52	Y870017-000	52478	Scale
53	Y024400-000	52480	Rivet
54	Y020102-003	52481	Screw
55	Y270146-000	52482	Plate
56	Y029102-001	52483	Spring
57	Y270130-000	52484	Spindle lock
58	Y224040-000	64611	Blade guard
59	Y303199-000	52486	Dust cover
60	Y024300-001	52488	Screw
61	Y130001-000	52489	Spacer
62	Y028930-001	52490	Screw
63	Y270289-000	52491	Support plate
64	Y020724-001	52492	Screw and washer
65	Y021403-005	52493	Wave washer
66	Y290073-000	52494	Screw
67	Y330024-000	52496	Rubber sleeve
68	Y020704-001	52497	Screw and washer
69	Y270224-000	52498	Guard
70	Y020725-001	52499	Screw
71	Y028914-001	52500	Screw
72	Y021403-007	52501	Wave washer
73	Y021103-011	52503	Washer
74	Y270331-000	52504	Lever
75	Y020106-011	52505	Screw
76	Y900479-000	52506	Lower guard assembly
77	Y020300-005	52507	Blade set screw
78	Y021600-001	52508	Washer
79	Y270178-000	52509	Blade collar



COMPOUND MITRE SAW

■ STOCK No.52352 (230V) ■ PART No.MS250.
55810 (110V)

SPARE PARTS LISTING

01/2001

KEY No.	PART No.	STOCK No.	DESCRIPTION
80	See Draper Cataloge		Blade
81	Y131037-000	52511	Spindle
82	Y027201-001	52512	Key
83	Y050005-100	52513	Ball bearing
84	Y023101-001	52514	Retaining ring
85	Y110002-000	52515	Gear
86	Y052002-000	52516	Needle bearing
87	Y303272-000	52517	Handle (left)
88	Y900377-003	52518	BS Moulded plug and cable (230V)
88	Y379000-001	56450	110V Cable assembly.
89	Y303006-000	52519	Cable clamp
90	Y020200-003	52520	Screw
91	Y160003-001	52521	Armature (230V)
91	Y160010-002	56451	Armature (110V)
92	Y270026-000	52522	Retaining ring
93	Y050001-100	52523	Ball bearing
94	Y050004-300	52524	Ball bearing
95	Y020702-005	52525	Screw and washer
96	Y021404-001	52526	Wave washer
97	Y900466-001	52527	Motor housing
98	Y303019-000	52529	Ring
99	Y303003-001	52530	Brush holder
100	Y020502-001	52531	Screw
102	Y022301-001	52532	Nut
103	Y303002-001	52533	Nut holder
104	Y170012-001	56115	Field coil (230V)
104	Y170012-001	56453	Field coil (110V)
105	Y303279-000	52535	Cap
106	Y029715-001	52537	Spring
107	Y028600-001	52538	Screw and washer
108	Y020703-003	52539	Screw and washer
109	Y303024-000	52540	Cushion
110	Y020106-009	52541	Screw
111	Y303006-000	52519	Cable clamp
112	Y020103-007	52542	Screw
113	Y028305-001	52543	Bolt
114	Y303257-000	52545	Motor cover
115	Y020106-007	52546	Screw
116	Y303223-000	52547	Switch

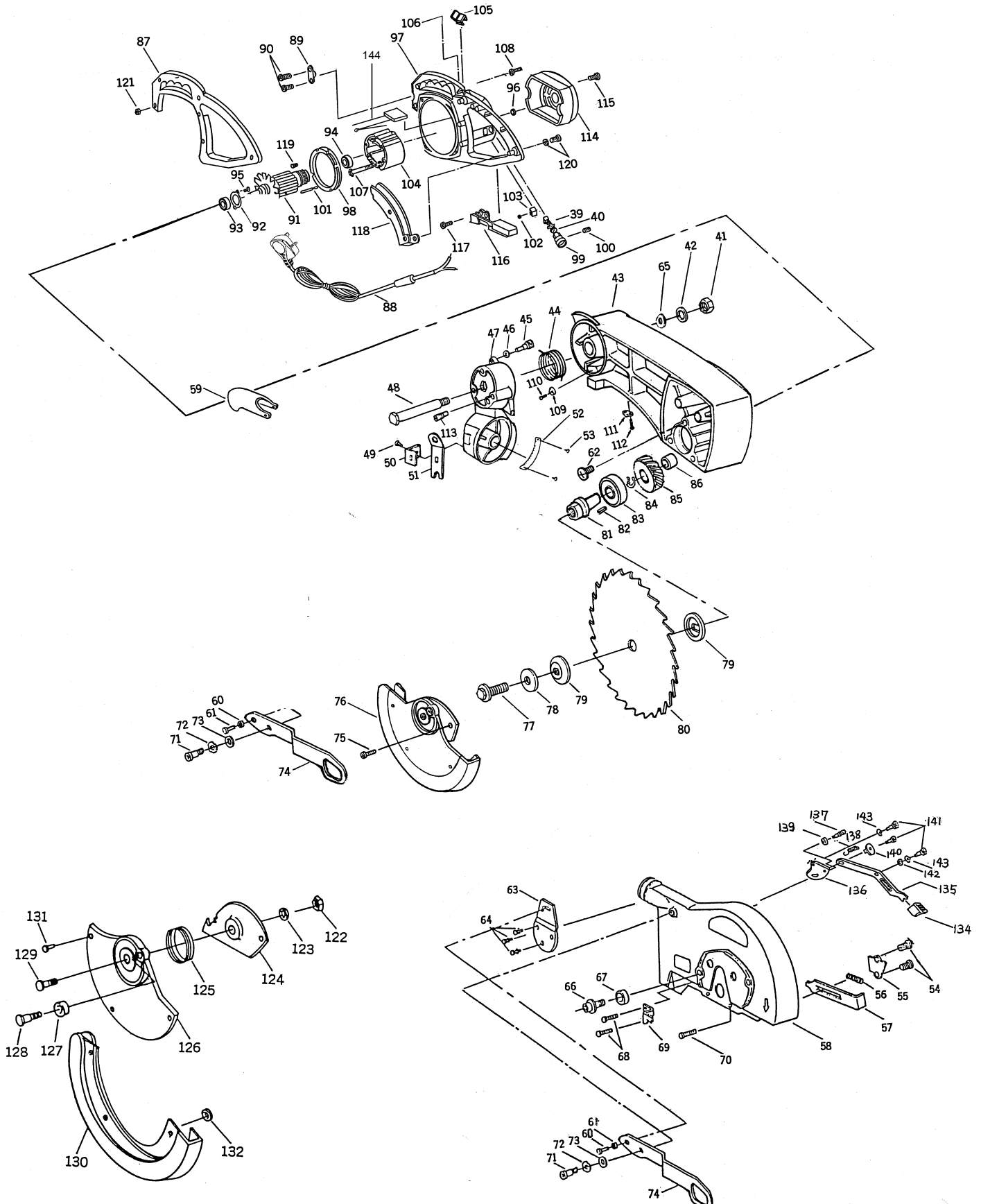
KEY No.	PART No.	STOCK No.	DESCRIPTION
117	Y020200-003	52520	Screw
118	Y303228-002	52548	Bracket
119	Y364011-002	52549	Connector
120	Y020701-017	52550	Screw and washer
121	Y022100-001	52551	Nut
122	Y022306-000	52552	Nut
123	Y021101-004	52553	Washer
124	Y270226-000	64613	Plate
125	Y029301-002	52555	Gaurd spring
126	Y225067-000	64615	Lower gaurd plate
127	Y303266-000	52557	Spacer
128	Y028912-003	52558	Bolt
129	Y020906-000	52559	Bolt
130	Y302037-000	52560	Lower gaurd
131	Y024101-000	52561	Pin
132	Y021108-000	52562	Washer
133	Y029801-001	52563	Connector seat
134	Y302280-000	52564	Safety button
135	Y270361-000	52565	Safety link
136	Y270362-000	52566	Plate
137	Y020113-006	52567	Screw
138	Y029404-000	52568	Spring
139	Y330041-000	52569	Rubber sleeve
140	Y303266-000	52557	Spacer
141	Y028931-002	52570	Screw
142	Y021120-006	52571	Washer
143	Y021403-007	52501	Wave washer
144	Y379000-002	56448	Condenser (230V)
144	Y370008-001	56449	Condenser (110V)
*	Y900266-000	54577	U-bracket
*	Y290065-000	54578	Extension arm
*	Y225068-000	54579	Stop block
*	Y270223-000	54580	Stop arm & screw
*	Y900239-000	54581	Clamp assy.
*	Y900041-000	54582	Dust bag
*	Y020402-000	54584	Wing screw
*	Y303200-000	54586	Stop bracket
*	Y527208-014	52572	Instruction manual
*	YMS250	64610	Colour box

COMPOUND MITRE SAW

■ STOCK No.52352 (230V) ■ PART No.MS250.
55810 (110V)

PARTS DRAWING

01/2001



Helpline: (023) 8049 4344. Sales Desk: (023) 8049 4333. General Enquiries: (023) 8026 6355.

COMPOUND MITRE SAW

■ STOCK No.52352 (230V) ■ PART No.MS250.
55810 (110V)

PARTS DRAWING

01/2001

