



SPARE PARTS LISTING SHEET FOR

# Manual Metal Arc Welder

Stock Nos. 53082  
53084

Part Nos. AW105T  
AW135T

KEY No.	PART No.	STOCK No.	DESCRIPTION
1	Y-AW105T-01	54865	Handle screw
2	Y-AW105T-02	54871	Handle
3	Y-AW105T-03	54874	Case upper (53082)
3	Y-AW135T-03	54913	Case upper (53084)
4	Y-AW105T-04	54876	Viewing lens
5	Y-AW105T-05	54891	Screw
6	Y-AW105T-06	54892	Fan
7	Y-AW105T-07	54893	Spring clip
8	Y-AW105T-08	54894	Thermal protection
9	Y-AW105T-09	54895	Transformer (53082)
9	Y-AW135T-09	54914	Transformer (53084)
10	Y-AW105T-10	54898	Insert spring
11	Y-AW105T-11	54899	Moving iron
12	Y-AW105T-12	54896	Upper bracket

KEY No.	PART No.	STOCK No.	DESCRIPTION
13	Y-AW105T-13	54900	Upper bracket screw
14	Y-AW105T-14	54897	Bottom bracket
15	Y-AW105T-15	54901	Case base
16	Y-AW105T-16	54902	Power on lamp
17	Y-AW105T-17	54903	Power switch
18	Y-AW105T-18	54904	Threaded adjuster
19	Y-AW105T-19	54905	Triangular knob
20	Y-AW105T-20	54906	Cable gland
21	Y-AW105T-21	54907	Rubber foot set of 4
22	Y-AW105T-22	54908	screw
23	Y-AW105T-23	54909	Spacer
24	Y-AW105T-24	54910	Cable gland
25	Y-AW105T-25	54911	Fan cover
26	Y-AW105T-26	54912	Fan cover screw

**Helpline: (023) 8049 4344. Sales Desk: (023) 8049 4333. General Enquiries: (023) 8026 6355.**

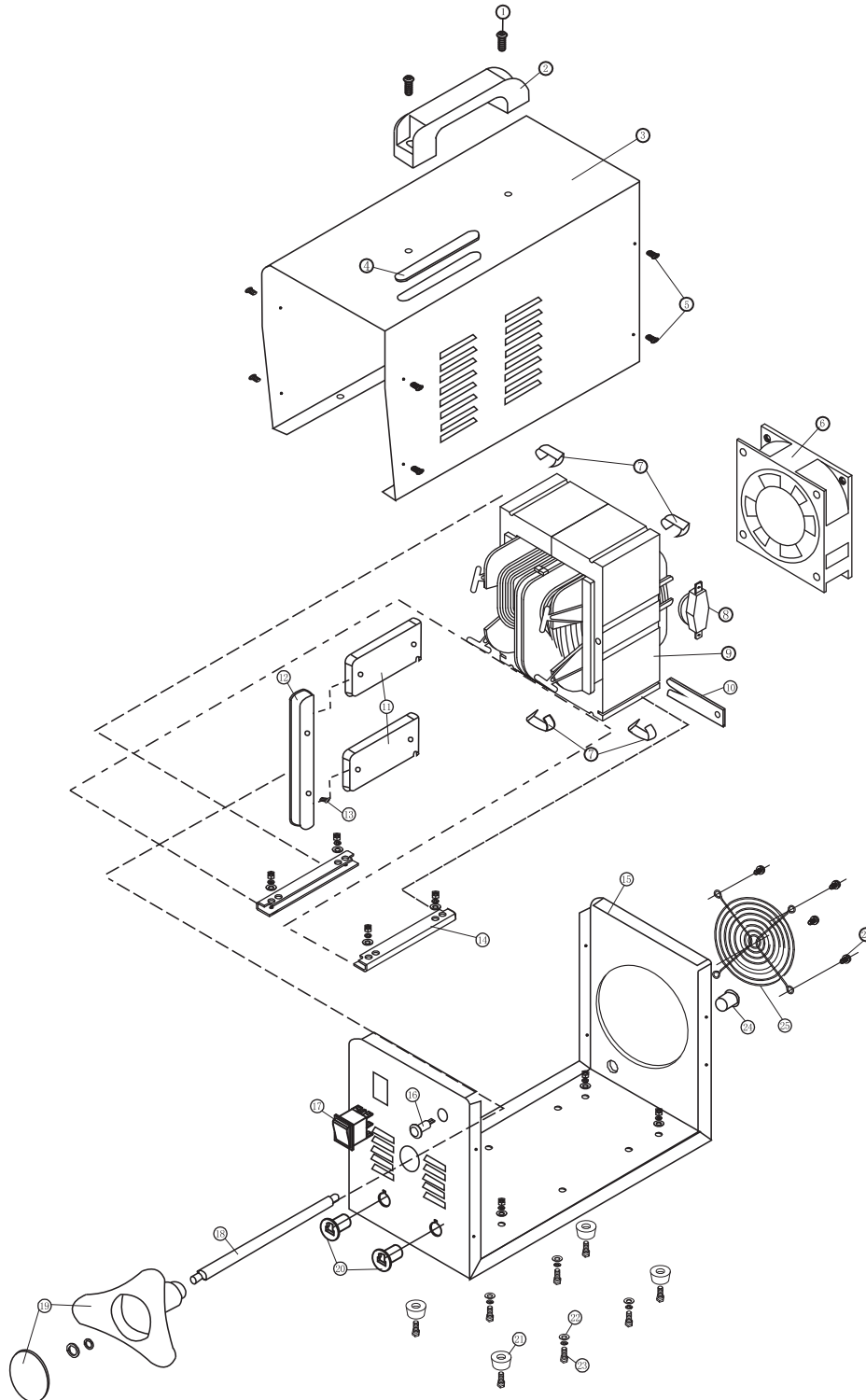
DRAPER TOOLS LTD, HURSLEY ROAD, CHANDLER'S FORD, EASTLEIGH, HANTS. SO53 1YF. U.K website: [www.drapertools.com](http://www.drapertools.com) e-mail: [sales@drapertools.com](mailto:sales@drapertools.com)



SPARE PARTS DRAWING SHEET FOR  
**Manual Metal Arc Welder**

Stock Nos.53082  
53084

Part Nos.AW105T  
AW135T



Helpline: (023) 8049 4344. Sales Desk: (023) 8049 4333. General Enquiries: (023) 8026 6355.