

FLOOR TRANSMISSION JACK

■ STOCK No.53095.

■ PART No.TJ200T.

09/2003



SPECIFICATION

Capacity 200kg
 Minimum height 170mm
 Maximum height 570mm

Base width 420mm
 Base length 410mm



INSTRUCTIONS FOR USE

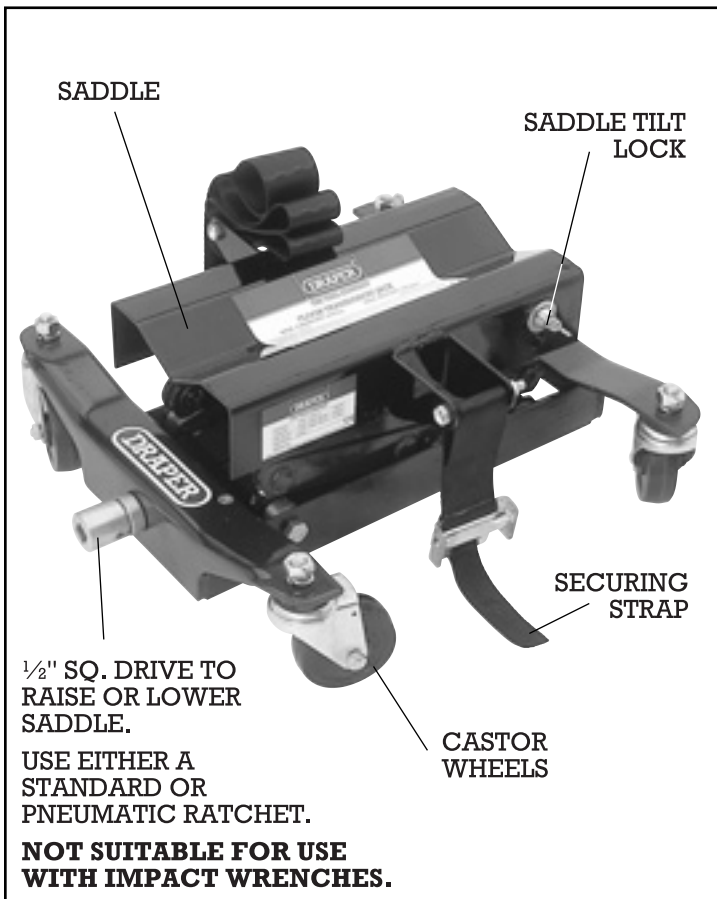
WARNING:

PLEASE READ AND UNDERSTAND THESE INSTRUCTIONS BEFORE USING YOUR TRANSMISSION JACK.

- This jack is designed for lifting/lowering vehicle transmissions only.
- Never use this jack to lift a vehicle.
- Always use axle stands and wheel chocks in conjunction with a trolley jack. Never get under a vehicle only supported by a jack.
- Ensure the vehicle transmission jack is securely fastened to the saddle of the transmission jack before lifting or lowering it.
- The jack should only be used on a firm, level surface.
- Inspect and lubricate the jack on a regular basis.



KNOW YOUR FLOOR TRANSMISSION JACK



DECLARATION OF CONFORMITY

We,
 Draper Tools Ltd. Hursley Road, Chandler's Ford,
 Eastleigh, Hampshire. SO53 1YF. England.

Declare under our sole responsibility that the product:

Stock No. :- 53095 Part No. :- TJ200T

Description:- Floor Transmission Jack

Serial No. :-

To which this declaration relates is in conformity with the following directive(s) 89/392/EEC.

With reference to:
 prEN1494, EN292-1, EN292-2 incl amendment 1.

J.N. Draper
 Managing Director

01/04/1998