

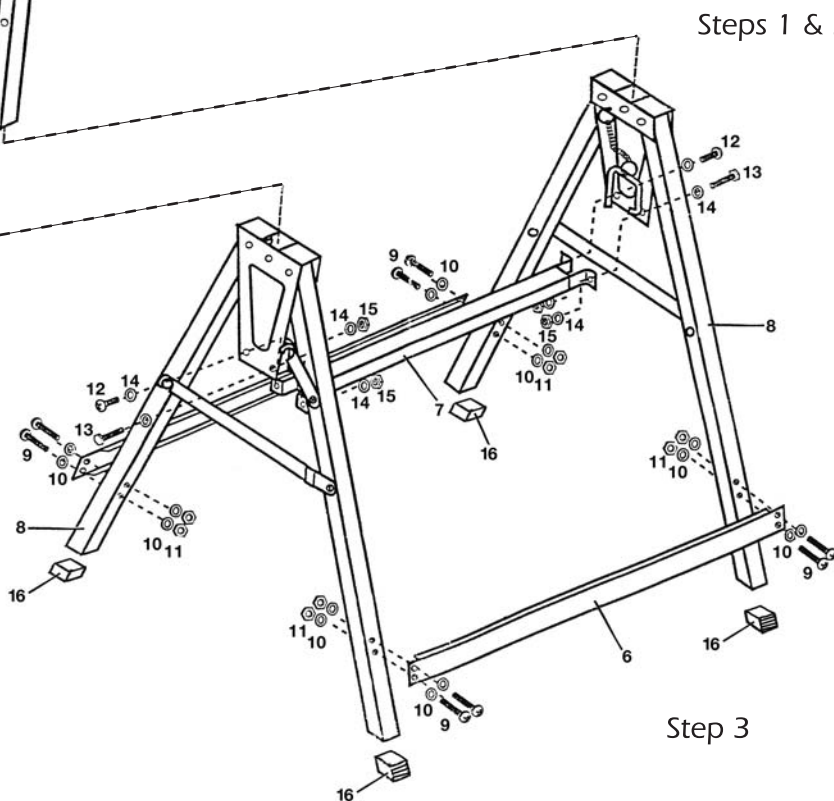
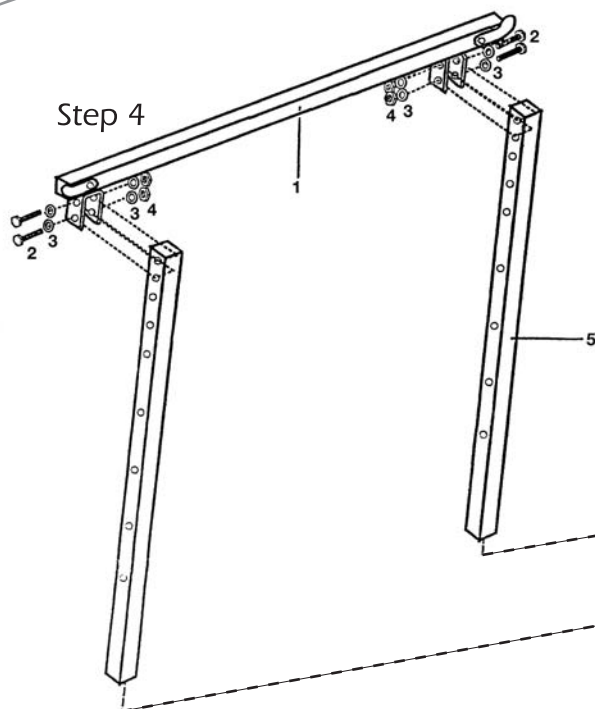


SPARE PARTS LISTING & DRAWING SHEET FOR

# Telescopic Trestle/Saw Horse

Stock No.54051  
54053

Part No.BT/Y1  
BT/Y2



KEY No.	PART No.	STOCK No.	DESCRIPTION
1	YBT/01	68897	Cross bar (680mm)
2	YBT/02	68898	M8 x 45 hex. bolt (4)
3	YBT/03	68899	M8 washer (8)
4	YBT/04	68900	M8 hex. nut (4)
5	YBT/05	68901	Upright 750mm (2)
6	YBT/06	68902	Lower cross member 575mm (2)
7	YBT/07	68903	Upper cross member 575mm
8	YBT/08	68905	'A' frame assembly (2)

KEY No.	PART No.	STOCK No.	DESCRIPTION
9	YBT/09	68906	M6 x 35 pan head bolt (8)
10	YBT/10	68907	M6 washer (16)
11	YBT/11	68908	M6 hex. nut (8)
12	YBT/12	68909	M5 x 15 pan head bolt (2)
13	YBT/13	68910	M5 x 15 bolt (2)
14	YBT/14	68911	M5 washer (8)
15	YBT/15	68912	M5 hex. nut (4)
16	YBT/16	16560	Rubber foot (4)

**Helpline: (023) 8049 4344. Sales Desk: (023) 8049 4333. General Enquiries: (023) 8026 6355.**

DRAPER TOOLS LTD, HURSLEY ROAD, CHANDLER'S FORD, EASTLEIGH, HANTS. SO53 1YF. U.K website: www.drapertools.com e-mail: sales@drapertools.co m