

# DRAPER®

## INSTRUCTIONS FOR 230V Submersible Water Pumps

Stock Nos. 61584, 61621, 61667, 61668  
Part Nos. SWP200, SWP170DW, SWP210DW, SWP112

**IMPORTANT:** PLEASE READ THESE INSTRUCTIONS CAREFULLY TO ENSURE THE SAFE AND EFFECTIVE USE OF THIS PRODUCT.



CE

Stock No. 61667 shown

DRAPER®

### GENERAL INFORMATION

These instructions accompanying the product are the original instructions. This document is part of the product, keep it for the life of the product passing it on to any subsequent holder of the product. Read all these instructions before assembling, operating or maintaining this product.

This manual has been compiled by Draper Tools describing the purpose for which the product has been designed, and contains all the necessary information to ensure its correct and safe use. By following all the general safety instructions contained in this manual, it will ensure both product and operator safety, together with longer life of the product itself.

All photographs and drawings in this manual are supplied by Draper Tools to help illustrate the operation of the product. Whilst every effort has been made to ensure the accuracy of information contained in this manual, the Draper Tools policy of continuous improvement determines the right to make modifications without prior warning.

# 1. TITLE PAGE

---

## **1.1 INTRODUCTION:**

USER MANUAL FOR:

## **230V SUBMERSIBLE WATER PUMPS**

Stock nos. 61584, 61621, 61667, 61668

Part no. SWP200, SWP170DW, SWP210DW, SWP112

## **1.2 REVISIONS:**

Date first published January 2015

---

---

---

---

As our user manuals are continually updated, users should make sure that they use the very latest version.

Downloads are available from: <http://www.drapertools.com/b2c/b2cmanuals.pgm>

DRAPER TOOLS LIMITED

HURSLEY ROAD

CHANDLER'S FORD

EASTLEIGH

HAMPSHIRE

SO53 1YFUK

WEBSITE: [www.drapertools.com](http://www.drapertools.com)

PRODUCT HELPLINE: +44 (0) 23 8049 4344

GENERAL FAX: +44 (0) 23 8026 0784

## **1.3 UNDERSTANDING THIS MANUALS SAFETY CONTENT:**

**WARNING!** Information that draws attention to the risk of injury or death.

**CAUTION!** Information that draws attention to the risk of damage to the product or surroundings.

## **1.4 COPYRIGHT © NOTICE:**

Copyright © Draper Tools Limited.

Permission is granted to reproduce this publication for personal & educational use only. Commercial copying, redistribution, hiring or lending is prohibited.

No part of this publication may be stored in a retrieval system or transmitted in any other form or means without written permission from Draper Tools Limited.

In all cases this copyright notice must remain intact.

# 2. CONTENTS

---

## 2.1 CONTENTS

	<b>PAGE CONTENT</b>	<b>PAGE</b>
1	TITLE PAGE	
	1.1 INTRODUCTION .....	2
	1.2 REVISION HISTORY .....	2
	1.3 UNDERSTANDING THIS MANUAL .....	2
	1.4 COPYRIGHT NOTICE .....	2
2	CONTENTS	
	2.1 CONTENTS .....	3
3	GUARANTEE	
	3.1 GUARANTEE .....	4
4	INTRODUCTION	
	4.1 SCOPE .....	5
	4.2 SPECIFICATION .....	5
	4.3 HANDLING & STORAGE .....	5
5	HEALTH & SAFETY INFORMATION	
	5.1 GENERAL SAFETY INSTRUCTIONS .....	6
	5.2 ADDITIONAL SAFETY INSTRUCTIONS FOR SUBMERSIBLE WATER PUMPS....	8
	5.4 CONNECTION TO THE POWER SUPPLY .....	8
6	TECHNICAL DESCRIPTION	
	6.1 IDENTIFICATION .....	9
	6.2 MAIN COMPONENT DESCRIPTIONS .....	10
7	UNPACKING & CHECKING	
	7.1 PACKAGING .....	11
	7.2 WHAT'S IN THE BOX .....	11
8	READYING THE PUMP	
	8.1 INSTALLATION OF PARTS.....	12
9	INSTALLING THE PUMP	
	9.1 PREPARATION AND INSTALLATION .....	13
	9.2 PLACEMENT .....	13
	9.3 FLOAT SWITCH ADJUSTMENT .....	13
10	OPERATING THE PUMP .....	14
	10.1 CONNECTING TO POWER VIA RCD .....	14
	10.2 SWITCHING ON THE PUMP .....	14
	10.3 PUMPING DISTANCES AND VOLUMES .....	14
11	TROUBLESHOOTING	
	11.1 TROUBLESHOOTING CHECKLIST.....	15
12	MAINTENANCE	
	12.1 CLEARING OBSTRUCTIONS FROM IN THE IMPELLER HOUSING .....	16
	12.2 GENERAL MAINTENANCE AND STORAGE .....	16
13	EXPLANATION OF SYMBOLS	
	13.1 EXPLANATION OF SYMBOLS .....	17
14	DISPOSAL	
	14.1 DISPOSAL .....	18
	DECLARATION OF CONFORMITY .....	ENCLOSED

## 3. GUARANTEE

---

### 3.1 GUARANTEE

Draper tools have been carefully tested and inspected before shipment and are guaranteed to be free from defective materials and workmanship.

Should the tool develop a fault, please return the complete tool to your nearest distributor or contact Draper Tools Limited, Chandler's Ford, Eastleigh, Hampshire, SO53 1YF. England. Telephone Sales Desk: (023) 8049 4333 or Product Helpline (023) 8049 4344.

A proof of purchase must be provided with the tool.

If upon inspection it is found that the fault occurring is due to defective materials or workmanship, repairs will be carried out free of charge. This guarantee period covering parts/labour is 12 months from the date of purchase except where tools are hired out when the guarantee period is ninety days from the date of purchase. This guarantee does not apply to normal wear and tear, nor does it cover any damage caused by misuse, careless or unsafe handling, alterations, accidents, or repairs attempted or made by any personnel other than the authorised Draper warranty repair agent.

Note: If the tool is found not to be within the terms of warranty, repairs and carriage charges will be quoted and made accordingly.

This guarantee applies in lieu of any other guarantee expressed or implied and variations of its terms are not authorised.

Your Draper guarantee is not effective unless you can produce upon request a dated receipt or invoice to verify your proof of purchase within the guarantee period.

Please note that this guarantee is an additional benefit and does not affect your statutory rights.

Draper Tools Limited.

## 4. INTRODUCTION

---

### 4.1 SCOPE

This instruction booklet covers two 230V submersible dirty water pumps, which ideally suited for general irrigating, draining inspection pits, trenches and footings where solids may be present. Maximum solid passable by the dirty water pumps is 30mm.

Also covered by these instructions is two clear water pump, ideally suited for pumping clear water from pools and garden ponds where the water is free of debris. However, this pump also has the capabilities of passing solids of up to 3mm.

### 4.2 SPECIFICATION

Stock No:.....	61584	.....61621.....	61667.....	61668
Part No:.....	SWP200.....	SWP170DW.....	SWP210DW.....	SWP112
Pump Usage: .....	Clear Water.....	Dirty Water .....	Dirty Water.....	Clear Water
Float Switch: .....	Yes.....	Yes.....	Yes .....	Yes
Motor:				
Rated voltage: .....	230V .....	230V .....	230V.....	230V
Rated frequency:.....	50Hz .....	50Hz .....	50Hz.....	50Hz
Rated input:.....	550W.....	550W.....	750W .....	350W
Max. particle size: .....	3mm .....	30mm* .....	30mm*.....	3mm
Output aperture size: .....	25mm, 32mm.....	25mm, 32mm.....	25mm, 32mm .....	25mm, 32mm
	(stepped adaptor)	(stepped adaptor)	(stepped adaptor)	(stepped adaptor)
Max. flow rate:.....	191L/min .....	166L/min.....	200L/min .....	108L/min
Max. head height: .....	9.5M .....	8.5M .....	9.5M.....	7M
Max. operating depth: .....	5M .....	5M.....	5M .....	5M
Max. water temperature: .....	35°C .....	35°C.....	35°C .....	35°C
Min water level for operation:.....	80mm .....	130mm .....	130mm.....	80mm
Float switch cut-in height:.....	380mm .....	410mm .....	410mm.....	380mm
Float switch cut-out height.....	170mm .....	200mm .....	200mm.....	170mm
Power cable length:.....	10M .....	10M.....	10M .....	10M
Weight: .....	4.89kg .....	5kg .....	6.19kg.....	4.69kg
Degree of protection against moisture: .....	IPX8 .....	IPX8.....	IPX8 .....	IPX8

**Warning: These products must be used in conjunction with a residual current device (RCD)**

### 4.3 HANDLING & STORAGE

This submersible pump is designed to be moved to different locations. Ensure it is always operated on a level surface.

\*Note: Max particle size of 30mm requires the 25mm section of hose barb to be removed/cut off to reveal 32mm bore.

# 5. HEALTH & SAFETY INFORMATION

---

## 5.1 GENERAL SAFETY INSTRUCTIONS

### General Power Tools Safety Warnings

**⚠ WARNING:** Read all instructions. Failure to follow all instructions listed below may result in electric shock, fire and/or serious injury.

Save all warnings and instructions for future reference.

The term “power tool” in the warnings refers to your mains operated (corded) power tool or battery operated (cordless) power tool.

#### 1) Work area safety

- a) **Keep work area clean and well lit.** Cluttered or dark areas invite accidents.
- b) **Do not operate power tools in explosive atmospheres, such as in the presence of flammable liquids, gases or dust.** Power tools create sparks which may ignite the dust or fumes.
- c) **Keep children and bystanders away while operating a power tool.** Distractions can cause you to lose control.

#### 2) Electrical Safety

- a) **Power tool plugs must match the outlet.** Never modify the plug in any way. Do not use any adapter plugs with earthed (grounded) power tools. Unmodified plugs and matching outlets will reduce risk of electrical shock.
- b) **Avoid body contact with earthed or grounded surfaces such as pipes, radiators, ranges and refrigerators.** There is an increased risk of electric shock if your body is earthed or grounded.
- c) **Do not expose power tools to rain or wet conditions.** Water entering a power tool will increase the risk of electric shock.
- d) **Do not abuse the cord. Never use the cord for carrying, pulling or unplugging the power tool.** Keep cord away from heat, oil, sharp edges or moving parts. Damaged or entangled cords increase the risk of electric shock.
- e) **When operating a power tool outdoors, use an extension cord suitable for outdoor use.** Use of a cord suitable for outdoor use reduces the risk of electric shock.
- f) **If operating a power tool in a damp location is unavoidable, use a residual current device (RCD) protected supply.** Use of an RCD reduces the risk of electric shock.

#### 3) Personal Safety

- a) **Stay alert, watch what you are doing and use common sense when operating a power tool. Do not use a power tool while you are tired or under the influence of drugs, alcohol or medication.** A moment of inattention while operating power tools may result in serious personal injury.
- b) **Use personal protective equipment. Always wear eye protection.** Protective equipment such as dust mask, non-skid safety shoes, hard hat, or hearing protection used for appropriate conditions will reduce personal injuries.
- c) **Prevent unintentional starting. Ensure the switch is in the off position before connecting to power source and/or battery pack, picking up or carrying the tool.** Carrying power tools with your finger on the switch or energising power tools that have the switch on invites accidents.
- d) **Remove any adjusting key or wrench before turning the power tool on.** A wrench or a key left attached to a rotating part of the power tool may result in personal injury.
- e) **Do not overreach. Keep proper footing and balance at all times.** This enables better control of the power tool in unexpected situations.

## 5. HEALTH & SAFETY INFORMATION

---

- f) **Dress properly. Do not wear loose clothing or jewellery. Keep your hair, clothing and gloves away from moving parts.** Loose clothes, jewellery or long hair can be caught in moving parts.
  - g) **If devices are provided for the connection of dust extraction and collection facilities, ensure these are connected and properly used.** Use of dust collection can reduce dust related hazards.
- 4) **Power Tool Use And Care**
- a) **Do not force the power tool. Use the correct power tool for your application.** The correct power tool will do the job better and safer at the rate for which it was designed.
  - b) **Do not use the power tool if the switch does not turn it on and off.** Any power tool that cannot be controlled with the switch is dangerous and must be repaired.
  - c) **Disconnect the plug from the power source and/or the battery pack from the power tool before making any adjustments, changing accessories, or storing power tools.** Such preventive safety measures reduce the risk of starting the power tool accidentally.
  - d) **Store idle power tools out of the reach of children and do not allow persons unfamiliar with the power tool or these instructions to operate the power tool.** Power tools are dangerous in the hands of untrained users.
  - e) **Maintain power tools. Check for misalignment or binding of moving parts, breakage of parts and any other condition that may affect the power tools operation. If damaged, have the power tool repaired before use.** Many accidents are caused by poorly maintained power tools.
  - f) **Keep cutting tools sharp and clean.** Properly maintained cutting tools with sharp cutting edges are less likely to bind and are easier to control.
  - g) **Use the power tool, accessories and tool bits etc., in accordance with these instructions, taking into account the working conditions and the work to be performed.** Use of the power tool for operations different from intended could result in a hazardous situation.
- 5) **Battery tool use and care**
- a. **Recharge only with the charger specified by the manufacturer.** A charger that is suitable for one type of battery pack may create a risk of fire when used with another battery pack.
  - b. **Use power tools only with specifically designated battery packs.** Use of any other battery packs may create a risk of injury and fire.
  - c. **When battery pack is not in use, keep it away from other metal objects, like paper clips, coins, keys, nails, screws or other small metal objects, that can make a connection from one terminal to another.** Shorting the battery terminals together may cause burns or a fire.
  - d. **Under abusive conditions, liquid may be ejected from the battery; avoid contact.** If contact accidentally occurs, flush with water. If liquid contacts eyes, additionally seek medical help. Liquid ejected from the battery may cause irritation or burns.
- 6) **Service**
- a. **Have your power tool serviced by a qualified repair person using only identical replacement parts.** This will ensure that the safety of the power tool is maintained.

## 5. HEALTH & SAFETY INFORMATION

---

### 5.2 ADDITIONAL SAFETY INSTRUCTIONS FOR SUBMERSIBLE WATER PUMPS

- When carrying or lifting the submersible pump always use the transport handle, DO NOT carry or lift using the power cable or float switch cable.
- Before connecting to the power supply:
  - A residual current circuit breaker (RCD) must be used for all applications (Draper Stock No.69307 or 89301).
  - The electrical supply should be the same as that stated on the rating plate.
- Submersible water pumps should always be transported, stored, and submersed vertically.
- **Always** ensure that your hands are dry when connecting and disconnecting the power supply.
- **Never** operate the pump below the top of the water inlet.
- The area being pumped should be kept clear, and nobody should enter the area while pump is operating.
- Do not pump explosive or flammable liquids.

**Important: please read before use.**

**The following additional instructions must be followed at all times. Failure to do so could invalidate the guarantee of this submersible water pump.**

- The float switch must be clamped in position using the cable clamp recess.

**NOTE:** The pump, should be suspended using a rope, chain or stood on a brick to prevent any gravel etc. being sucked into the pump and damaging the impeller.

- If the pump fails to operate, disconnect from mains supply. Remove the base (see page 9) and gently turn the impeller using a screwdriver. Check for obstruction in the impeller, i.e. stones/gravel etc.
- The float switch fitted to the pump is **NOT** suitable for continuous use as an ON/OFF switch.
- If the power cable becomes damaged it must be changed by the manufacturer or it's service agents.

**IMPORTANT:** Any pump returned to Draper Tools Limited under warranty must be clean. If a pump is received that has **NOT** been cleaned, it will be returned to you at your cost. Make sure the power supply information on the machine's rating plate are compatible with the power supply you intend to connect it to.

### 5.3 CONNECTION TO THE POWER SUPPLY

This machine comes supplied with a UK standard 3 pin plug fitted. It is designed for connection to a domestic power supply rated at 230V AC.

This product is a Class 1 machine; meaning, it must have an earth connection in the power supply. This is to prevent electrocution in the event of a failure.

Apart from replacing the fuse in the plug, no other electrical work is recommended on this machine.



## 6. TECHNICAL DESCRIPTION

---

### 6.1 IDENTIFICATION

Stock No.61667 shown



- ① Carry handle
- ② Stepped adaptor
- ③ Outlet
- ④ Float switch  
(Excludes Stock No.61668)
- ⑤ Main pump body/motor housing
- ⑥ Water inlet/impeller housing
- ⑦ 10M power cable

## 6. TECHNICAL DESCRIPTION

---

### **6.2 MAIN COMPONENT DESCRIPTIONS**

The **CARRY HANDLE** for ease of transportation.

The **STEPPED HOSE ADAPTOR** allows the use of 25 and 32mm hoses.

The **WATER OUTLET**; Pumped water is expelled from this aperture.

The **PLUG** connects the machine to your power supply.

The **FLOAT SWITCH** (Excluding Stock No.61668) will switch the pump on/off automatically at set water levels (user adjustable).

The **MAIN PUMP BODY** houses the pumps motor, it should be submerged in use to help cool the motor.

The **INLET/IMPELLER HOUSING**; This is where the water to be pumped enters the machine. The impeller is mounted in the top section of the housing.

## 7. UNPACKING & CHECKING

---

### 7.1 PACKAGING

Carefully remove the pump from the packaging and examine it for any sign of damage that may have happened during shipping. Lay the contents out and check them against the parts shown below. If any part is damaged or missing; please contact the Draper Helpline (the telephone number appears on the Title page) and do not attempt to use the pump. The packaging material should be retained at least during the guarantee period: in case the machine needs to be returned for repair.

Warning! Some of the packaging materials used may be harmful to children. Do not leave any of these materials in the reach of children.

If any of the packaging is to be thrown away, make sure they are disposed of correctly; according to local regulations.

### 7.2 WHAT'S IN THE BOX?

As well as the pump; there may be several parts not fitted or attached to it.



③ Outlet.

② Stepped 25mm/32mm output adaptor.

Applicable to 61621 and 61667 models only.  
Cut off 25mm section at dotted line to use full  
32mm bore option. (32mm layflat hose must be  
used).

## 8. READYING THE PUMP

---

### **8.1 INSTALLATION OF PARTS**

Before first use it is important to carry out a visual check of the product to ensure that the product has not suffered any transit damage and is safe to use.

To connect the hose adaptor, simply screw it into its threaded housing.

To adjust the stepped hose adaptor for your chosen size of lay flat hose, check the internal dimensions of your lay flat hose and select either the 25 or 32mm section of the stepped adaptor to connect your hose to. To gain the full benefit of the increase in flow rate that can be achieved with the larger hose/stepped adaptor apertures it will be necessary to remove the unused smaller section of the stepped adaptor (see page 11) and this is best accomplished with a small hacksaw sawing through the threaded area will reveal the 32mm bore (applicable to 61621, 61667 models only).

NOTE: The adaptor can now only be used with a 32mm hose and cannot be used with a 25mm hose.

25mm adaptors are available, quote Stock No.62877.

Your chosen hose should be secured with a suitable retaining clip. The float switch should be allowed to move freely without any restrictions. The float switch can be set to turn the pump on/off at differing water levels, this will be covered in the following section of this manual.

## 9. INSTALLING THE PUMP

### 9.1 PREPARATION AND INSTALLATION

**⚠ WARNING:** DO NOT MAKE ANY OF THE FOLLOWING ADJUSTMENTS WITH THE PUMP CONNECTED TO THE POWER SUPPLY.

**CAUTION:** Whilst the two dirty water submersible water pumps (Stock Nos.61621 and 61667) covered in these instructions are all capable of passing suspended solids of varying size, it is important to check the maximum particle size listed in the specification section on page 5 for your own particular model.

The clear water submersible pumps (Stock Nos.61584 and 61668) are designed to pump clear water only. Ensure all loose stones/gravel etc. are removed from water prior to using this pump. Ingestion of solids larger than 3mm will cause damage to the pump.

### 9.2 PLACEMENT – FIG. 1

This pump must be placed on a stable level surface away from any loose stones or other objects that could get sucked into the pump accidentally.



FIG. 1

### 9.3 FLOAT SWITCH ADJUSTMENT – FIG. 2

(Stock Nos.61584, 61621 and 61667 only).

Once the pump has been located on a suitable surface, you can choose to adjust the height at which the float switch (4) operates to switch on/off the pump. To adjust the height at which the float switch operates you will need to clip the connecting cable of the float switch into the moulded-in clamp (1.1) in the side of the pumps carry handle (1), allowing the required amount of travel for the float switch to operate the pump at your required water levels.

Connect your lay flat hose to the pumps outlet and route your hose to your required destination. Ensure that all hose connections are secure before proceeding.

**CAUTION:** This pump is not designed to be used in any 'continuous running' applications such as water circulation (water features, etc.). To do so would invalidate the pumps warranty.

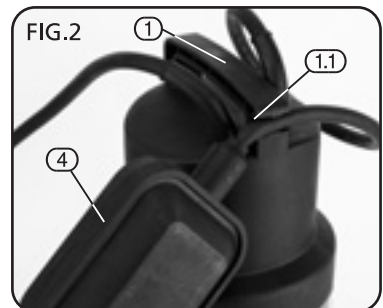


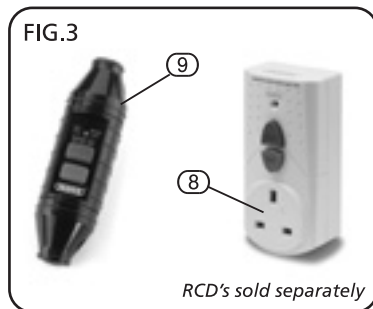
FIG. 2

## 10. OPERATING THE PUMP

Once you have the pump safely situated and the float switch adjusted, if required, you are ready to turn on the pump.

### 10.1 CONNECTING TO POWER VIA RCD – FIG.3

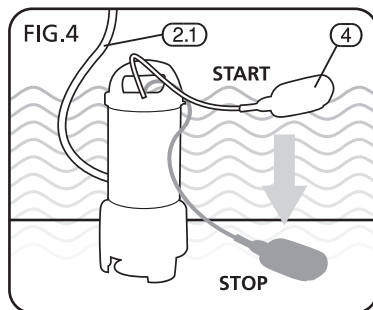
Plug your pump into a Residual Current Device (RCD) such as Draper Stock No.69307 (8) or 89301 (9) and connect to your mains supply.



### 10.2 SWITCHING ON THE PUMP – FIG.4

On switching on your socket, the pump will begin to operate (if water level high enough to operate the float switch). The pump will begin to expel the water via your hose (2.1) and once the water level drops to the required level, the float switch (4) will automatically switch off the pump.

\*Note. Stock No.61668 is not supplied with a float switch.



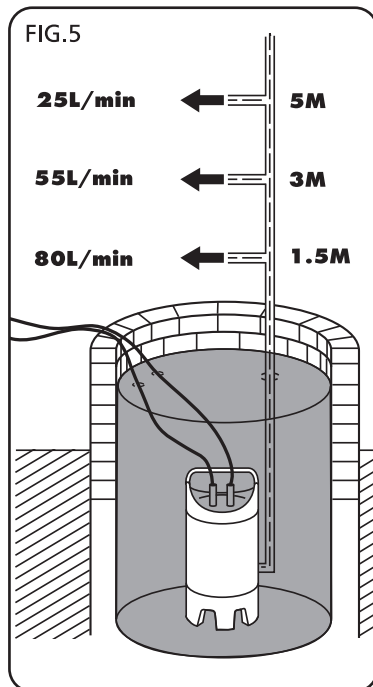
### 10.3 PUMPING DISTANCE AND VOLUME – FIG.5

Fig.6 provides a guide for volumes pumped in relation to hose height.

Horizontal pumping distance is directly affected by the working head height (Maximum head height minus actual working head height  $\times$  factor of 10 equals the approximate horizontal pumping distance in metres using solid delivery hose).

For example:

Model SWP200 maximum head height is 9.5 metres, minus actual working head height of 5 metres = 4.5 metre  $\times$  factor of 10 is 45 metres (approximate pumping distance).



# 11. TROUBLESHOOTING

## 11.1 TROUBLESHOOTING CHECKLIST

FAULT	POSSIBLE CAUSE	REMEDY
No power	<ol style="list-style-type: none"><li>1. Faulty power supply.</li><li>2. Power supply fuse blown.</li><li>3. Residual current circuit breaker tripped.</li></ol>	<ol style="list-style-type: none"><li>1. This should be replaced immediately by a qualified person.</li><li>2. Replace the fuse.</li><li>3. Check and reset.</li></ol>
Pump running, but not delivering water.	<ol style="list-style-type: none"><li>1. Water level under the minimum pumping level.</li><li>2. Filter inlet clogged.</li><li>3. Outlet tube clogged.</li><li>4. Hose flat.</li></ol>	<ol style="list-style-type: none"><li>1. Raise the water level (where possible).</li><li>2. Clean inlet.</li><li>3. Remove tube and clear obstruction.</li><li>4. Re-install the pump, but at an angle, when submerged, gently shake while outlet tube is open. Switch on/off repeatedly.</li></ol>
Pump stops running due to thermal overload coming into operation.	<ol style="list-style-type: none"><li>1. Voltage supply different to rating plate.</li><li>2. A solid has jammed in pump.</li><li>3. The pump is operating in hot water.</li><li>4. The pump ran dry.</li></ol>	<ol style="list-style-type: none"><li>1. Remove plug from power supply.</li><li>2. Remove obstruction.</li><li>3. Allow pump to cool then restart.</li><li>4. Wait for pump to cool then submerge before switching on.</li></ol>

## 12. MAINTENANCE

---

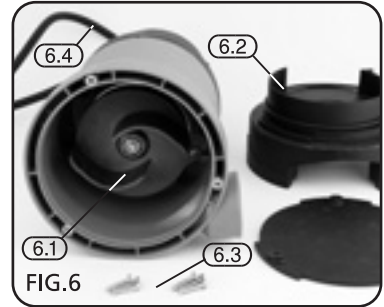
**⚠ WARNING:** For your own safety, remove the plug from the power supply before maintaining your submersible water pump.

### 12.1 CLEARING OBSTRUCTIONS IN THE IMPELLER HOUSING – FIG.6

If the impeller (6.1) becomes blocked or obstructed, remove the lower housing (6.2). By removing the securing screws (6.3).

Remove any foreign objects and then re-fit, making sure that the rubber sealing o-ring (6.4) does not get damaged or pinched in the process.

If at any time the impeller is found to be damaged, have it replaced immediately at your Draper warranty repair agent.



### 12.2 GENERAL MAINTENANCE AND STORAGE

Flush your pump through with fresh clean water from time to time if it is left idle in water for some time.

Draper recommends that if the pump is not to be used for some time that the pump is removed from the water. It should be flushed through with fresh clean water to remove any dirty water that may remain inside the pump. Clean the outside of the pump and dry with a cloth before storing the pump ready for its next use.

You should always perform a visual check of the pump prior to storing and re-using so that any wear or damage to the pump or its power supply cable can be safely rectified prior to next use.

The pump should be protected from frost, do not allow any residual water to freeze inside the pump as irreversible damage will occur.



# 13. EXPLANATION OF SYMBOLS

---

## 13.1 EXPLANATION OF SYMBOLS



WEEE

Do not dispose of Waste Electrical  
& Electronic Equipment in with  
domestic rubbish



# 14. DISPOSAL

---

## 14.1 DISPOSAL

- At the end of the machine's working life, or when it can no longer be repaired, ensure that it is disposed of according to national regulations.
- Contact your local authority for details of collection schemes in your area.

In all circumstances:

- Do not dispose of power tools with domestic waste.
- Do not incinerate.
- Do not abandon in the environment.
- Do not dispose of WEEE\* as unsorted municipal waste.



\* Waste Electrical & Electronic Equipment.



- **DRAPER TOOLS LIMITED,**  
Hursley Road, Chandler's Ford,  
Eastleigh, Hampshire. SO53 1YF. U.K.
- **Helpline:** (023) 8049 4344
- **Sales Desk:** (023) 8049 4333
- **Internet:** [www.drapertools.com](http://www.drapertools.com)
- **E-mail:** [sales@drapertools.com](mailto:sales@drapertools.com)
- **Sales Fax:** (023) 8049 4209
- **General Enquiries:** (023) 8026 6355
- **Service/Warranty Repair Agent**  
For aftersales servicing or warranty repairs, please  
contact the Draper Tools Helpline for details of an  
agent in your local area.

YOUR DRAPER STOCKIST