



SPARE PARTS LISTING SHEET FOR

1/2" Square Drive Composite Air Ratchet

Stock No.65034

Part No.SFAR12

| KEY No. | PART No. | STOCK No. | DESCRIPTION |
|---------|----------|-----------|----------------------|
| 1 | YAR38-01 | 43597 | Housing. |
| 2 | YAR38-02 | 43978 | Trigger. |
| 3 | YAR38-03 | 44003 | Straight pin. |
| 4 | YAR38-04 | 44144 | O-ring. |
| 5 | YAR38-05 | 44172 | Muffle cover. |
| 6 | YAR38-06 | 44179 | O-ring. |
| 7 | YAR38-07 | 44187 | Air inlet connector. |
| 8 | YAR38-08 | 44228 | Pin. |
| 9 | YAR38-09 | 44287 | Spring. |
| 10 | YAR38-10 | 44320 | Screw. |
| 11 | YAR38-11 | 44447 | O-ring. |
| 12 | YAR38-12 | 44611 | Pin. |
| 13 | YAR38-13 | 44799 | O-ring. |
| 14 | YAR38-14 | 44921 | Taper spring. |
| 15 | YAR38-15 | 44951 | O-ring. |
| 16 | YAR38-16 | 45270 | Adjusting dial. |

| KEY No. | PART No. | STOCK No. | DESCRIPTION |
|---------|----------|-----------|--------------------------------|
| 17 | YAR38-17 | 45280 | Sealing gasket. |
| 18 | YAR38-18 | 45281 | Bearing. |
| 19 | YAR38-19 | 45282 | Back cylinder head. |
| 20 | YAR38-20 | 45290 | Straight pin. |
| 21 | YAR38-21 | 45381 | Blade. |
| 22 | YAR38-22 | 45398 | Rotor. |
| 23 | YAR38-23 | 45454 | Cylinder. |
| 24 | YAR38-24 | 45507 | Washer. |
| 25 | YAR38-25 | 45590 | Front cylinder head. |
| 26 | YAR38-26 | 45622 | Bearing. |
| 27 | YAR38-27 | 45767 | Washer. |
| 28 | YAR38-28 | 45768 | Gear ring. |
| 29 | YAR38-29 | 45769 | Planet gear. |
| 30 | YAR38-30 | 45775 | Planet pin. |
| 31 | YAR38-31 | 45776 | Planet gage. |
| 32 | YAR38-32 | 45782 | 1/2" Ratchet handle component. |

Helpline: (023) 8049 4344. Sales Desk: (023) 8049 4333. General Enquiries: (023) 8026 6355.

DRAPER TOOLS LTD, HURSLEY ROAD, CHANDLER'S FORD, EASTLEIGH, HANTS. SO53 1YF. U.K website: www.drapertools.com e-mail: sales@drapertools.com

RW/MC111114

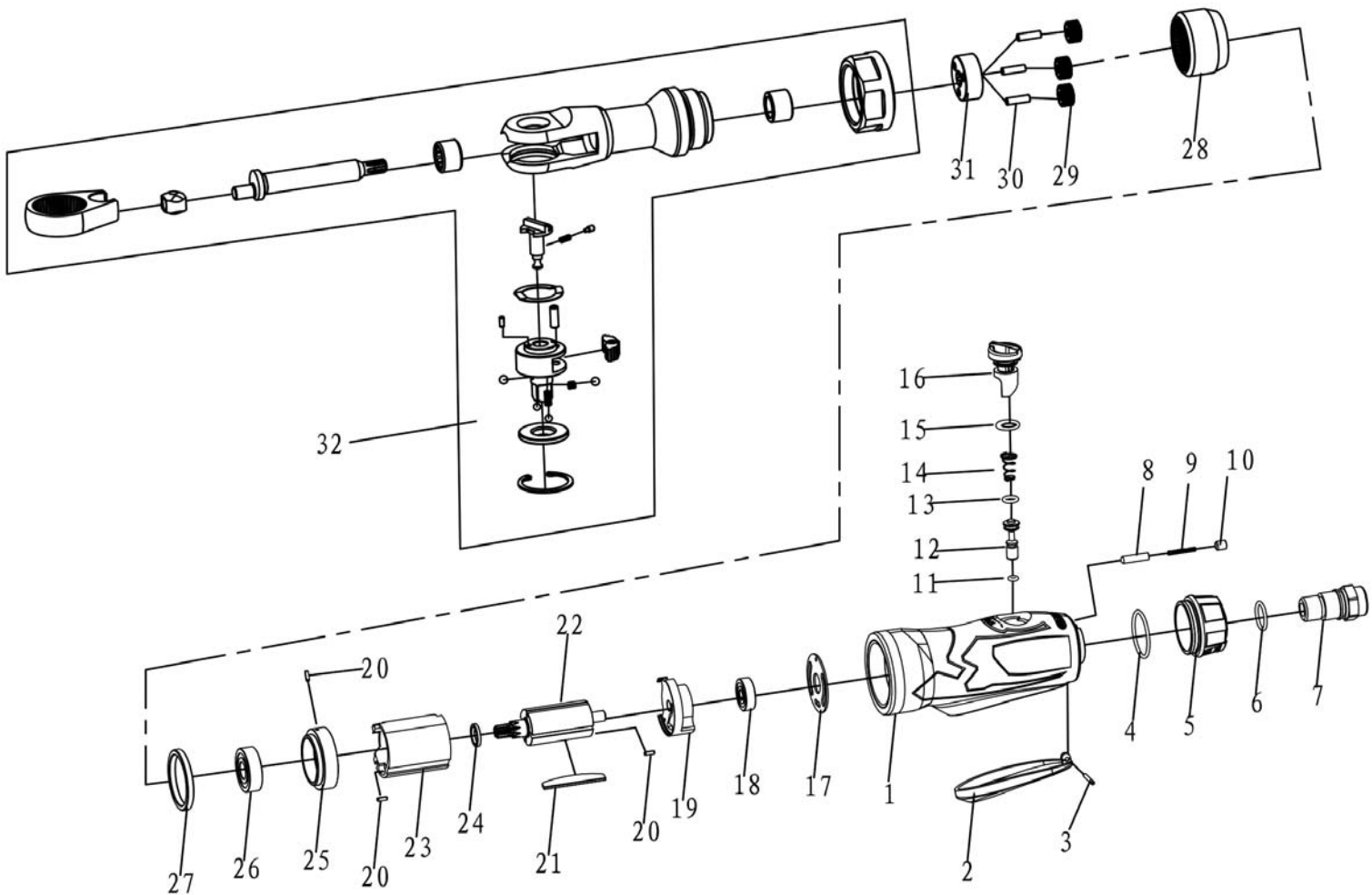


SPARE PARTS DRAWING SHEET FOR

1/2" Square Drive Composite Air Ratchet

Stock No.65034

Part No.SFAR12



Helpline: (023) 8049 4344. **Sales Desk:** (023) 8049 4333. **General Enquiries:** (023) 8026 6355.

DRAPER TOOLS LTD, HURSLEY ROAD, CHANDLER'S FORD, EASTLEIGH, HANTS. SO53 1YF. U.K website: www.drapertools.com e-mail: sales@drapertools.com

RWMC111114