



SPARE PARTS LISTING SHEET FOR  
**Composite 150mm  
 Dual Action Air Sander**

Stock No.65084

Part No.SFAS150

KEY No.	PART No.	STOCK No.	DESCRIPTION
1	YSFAS150-01	66500	Housing
2	YSFAS150-02	66501	Jacket
3	YSFAS150-03	66503	Trigger
4	YSFAS150-04	66529	Pin
5	YSFAS150-05	66595	C-ring
6	YSFAS150-06	66615	O-ring
7	YSFAS150-07	66620	Pin
8	YSFAS150-08	66632	O-ring
9	YSFAS150-09	66633	Dial
10	YSFAS150-10	66634	Safety ring
11	YSFAS150-11	66635	Switch valve
12	YSFAS150-12	66636	Spring
13	YSFAS150-13	66637	Bushing
14	YSFAS150-14	66638	Air inlet connector
15	YSFAS150-15	66639	Drive shaft
16	YSFAS150-16	66640	Key
17	YSFAS150-17	66642	Lock
18	YSFAS150-18	66643	Shim
19	YSFAS150-19	66644	Sleeve
20	YSFAS150-20	66645	Dustproof cover
21	YSFAS150-21	66646	Gasket
22	YSFAS150-22	66746	Bearing
23	YSFAS150-23	66751	Front cylinder head

KEY No.	PART No.	STOCK No.	DESCRIPTION
24	YSFAS150-24	66752	O-ring
25	YSFAS150-25	66753	Cylinder
26	YSFAS150-26	66754	Pin
27	YSFAS150-27	66755	Rotor
28	YSFAS150-28	66758	Blade
29	YSFAS150-29	66759	Back cylinder head
30	YSFAS150-30	66760	Bearing
31	YSFAS150-31	66761	C-ring
32	YSFAS150-32	66762	Stopper
33	YSFAS150-33	66763	Bearing
34	YSFAS150-34	66764	Sealing ring
35	YSFAS150-35	66783	Gasket
36	YSFAS150-36	66785	Retaining ring
37	YSFAS150-37	66788	Balancing shaft
38	YSFAS150-38	66792	Vacuum adapter
39	YSFAS150-39	66793	Muffle connector
40	YSFAS150-40	66794	O-ring
41	YSFAS150-41	66795	Silencer
42	YSFAS150-42	66811	Muffle cover
43	YSFAS150-43	66812	Wrench
44	YSFAS150-44	66814	Dust hood
45	YSFAS150-45	66815	Backing pad

**Helpline: (023) 8049 4344. Sales Desk: (023) 8049 4333. General Enquiries: (023) 8026 6355.**

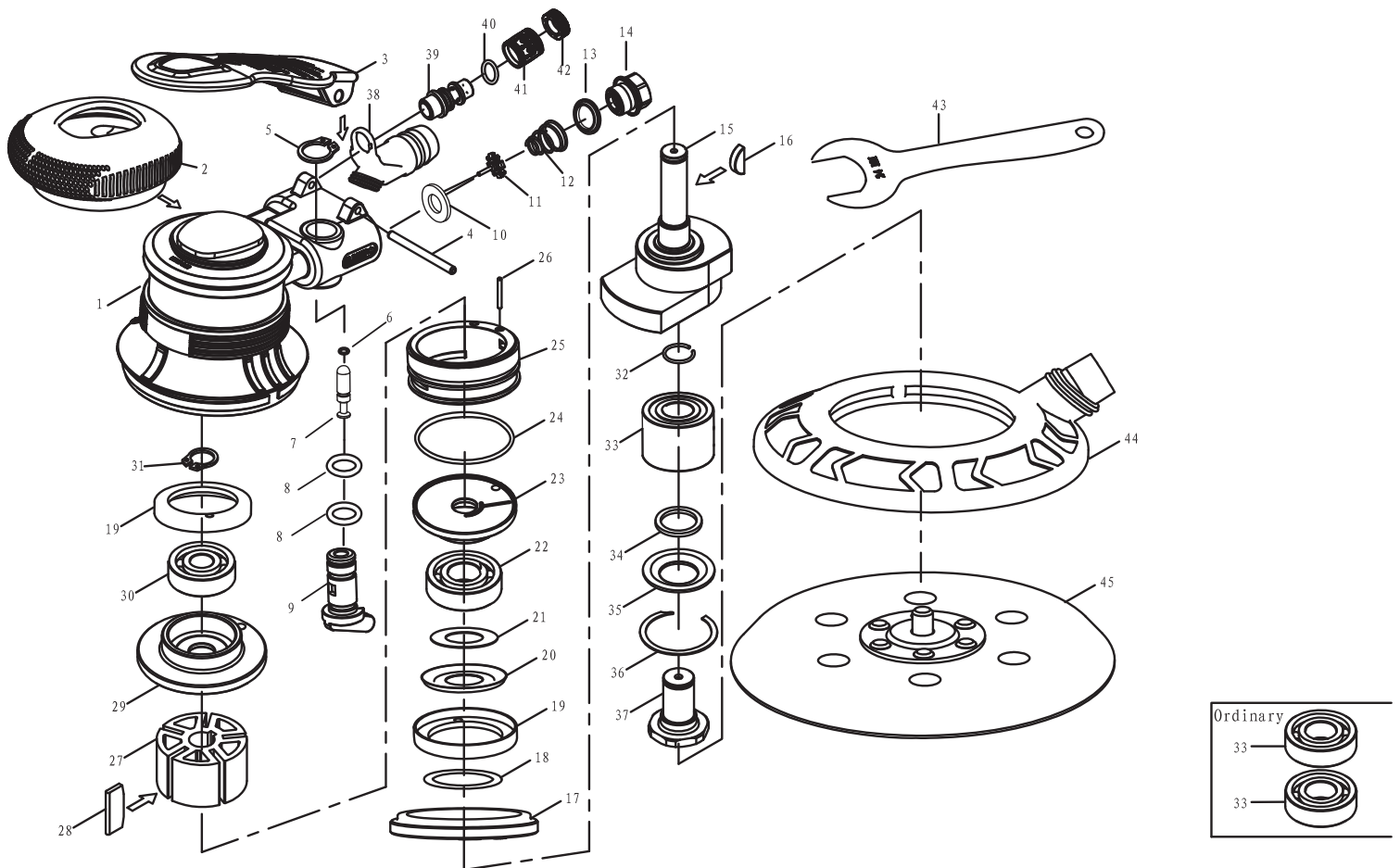
DRAPER TOOLS LTD, HURSLEY ROAD, CHANDLER'S FORD, EASTLEIGH, HANTS. SO53 1YF. U.K website: www.drapertools.com e-mail: sales@drapertools.com



SPARE PARTS DRAWING SHEET FOR  
**Composite 150mm  
Dual Action Air Sander**

Stock No.65084

Part No.SFAS150



**Helpline: (023) 8049 4344. Sales Desk: (023) 8049 4333. General Enquiries: (023) 8026 6355.**

DRAPER TOOLS LTD, HURSLEY ROAD, CHANDLER'S FORD, EASTLEIGH, HANTS. SO53 1YF. U.K website: [www.drapertools.com](http://www.drapertools.com) e-mail: [sales@drapertools.com](mailto:sales@drapertools.com)