



# INSTRUCTIONS FOR 400mm Rotating Laser Level Kit

Stock No.69580 Part No.LLK2

**IMPORTANT:** PLEASE READ THESE INSTRUCTIONS CAREFULLY TO ENSURE THE SAFE AND EFFECTIVE USE OF THIS PRODUCT.



**DRAPER**®

## GENERAL INFORMATION

These instructions accompanying the product are the original instructions. This document is part of the product, keep it for the life of the product passing it on to any subsequent holder of the product. Read all these instructions before assembling, operating or maintaining this product.

This manual has been compiled by Draper Tools describing the purpose for which the product has been designed, and contains all the necessary information to ensure its correct and safe use. By following all the general safety instructions contained in this manual, it will ensure both product and operator safety, together with longer life of the product itself.

All photographs and drawings in this manual are supplied by Draper Tools to help illustrate the operation of the product.

Whilst every effort has been made to ensure the accuracy of information contained in this manual, the Draper Tools policy of continuous improvement determines the right to make modifications without prior warning.

# 1. TITLE PAGE

---

## **1.1 INTRODUCTION:**

USER MANUAL FOR:

### **400mm ROTATING LASER LEVEL KIT**

Stock no. 69580.

Part no. LLK2.

## **1.2 REVISIONS:**

Date first published November 2015

---

---

---

---

As our user manuals are continually updated, users should make sure that they use the very latest version.

Downloads are available from: <http://www.drapertools.com/manuals>

DRAPER TOOLS LIMITED

HURSLEY ROAD

CHANDLER'S FORD

EASTLEIGH

HAMPSHIRE

SO53 1YF

UK

WEBSITE: [www.drapertools.com](http://www.drapertools.com)

PRODUCT HELPLINE: +44 (0) 23 8049 4344

GENERAL FAX: +44 (0) 23 8026 0784

## **1.3 UNDERSTANDING THIS MANUALS SAFETY CONTENT:**

**WARNING!** Information that draws attention to the risk of injury or death.

**CAUTION!** Information that draws attention to the risk of damage to the product or surroundings.

## **1.4 COPYRIGHT © NOTICE:**

Copyright © Draper Tools Limited.

Permission is granted to reproduce this publication for personal & educational use only.

Commercial copying, redistribution, hiring or lending is prohibited.

No part of this publication may be stored in a retrieval system or transmitted in any other form or means without written permission from Draper Tools Limited.

In all cases this copyright notice must remain intact.

# 2. CONTENTS

---

## 2.1 CONTENTS

<b>PAGE</b>	<b>CONTENT</b>	<b>PAGE</b>
2	TITLE PAGE	
	1.1 INTRODUCTION .....	2
	1.2 REVISION HISTORY .....	2
	1.3 UNDERSTANDING THIS MANUAL .....	2
	1.4 COPYRIGHT NOTICE .....	2
3	CONTENTS	
	2.1 CONTENTS .....	3
4	GUARANTEE	
	3.1 GUARANTEE .....	4
5	INTRODUCTION	
	4.1 SCOPE .....	5
	4.2 SPECIFICATION .....	5
6	HEALTH & SAFETY INFORMATION	
	5.1 GENERAL SAFETY INSTRUCTIONS FOR LASER USE .....	6
7	TECHNICAL DESCRIPTION	
	6.1 IDENTIFICATION .....	7
8	ASSEMBLY	
	7.1 LASER LEVEL BATTERY INSTALL .....	8
9	OPERATION AND USE	
	8.1 OPERATION AND USE .....	9
	8.2 LASER LEVEL .....	9
10	EXPLANATION OF SYMBOLS	
	9.1 EXPLANATION OF SYMBOLS .....	10
10	DISPOSAL	
	10.1 DISPOSAL .....	10
	DECLARATION OF CONFORMITY .....	ENCLOSED

## 3. GUARANTEE

---

### 3.1 GUARANTEE

Draper tools have been carefully tested and inspected before shipment and are guaranteed to be free from defective materials and workmanship.

Should the tool develop a fault, please return the complete tool to your nearest distributor or contact Draper Tools Limited, Chandler's Ford, Eastleigh, Hampshire, SO53 1YF. England. Telephone Sales Desk: (023) 8049 4333 or Product Helpline (023) 8049 4344.

A proof of purchase must be provided with the tool.

If upon inspection it is found that the fault occurring is due to defective materials or workmanship, repairs will be carried out free of charge. This guarantee period covering parts/labour is 12 months from the date of purchase except where tools are hired out when the guarantee period is ninety days from the date of purchase. The guarantee is extended to 24 months for parts only. This guarantee does not apply to normal wear and tear, nor does it cover any damage caused by misuse, careless or unsafe handling, alterations, accidents, or repairs attempted or made by any personnel other than the authorised Draper warranty repair agent.

Note: If the tool is found not to be within the terms of warranty, repairs and carriage charges will be quoted and made accordingly.

This guarantee applies in lieu of any other guarantee expressed or implied and variations of its terms are not authorised.

Your Draper guarantee is not effective unless you can produce upon request a dated receipt or invoice to verify your proof of purchase within the guarantee period.

Please note that this guarantee is an additional benefit and does not affect your statutory rights.

Draper Tools Limited.

# 4. INTRODUCTION

---

## 4.1 SCOPE

This manual is intended to give an overview of this machines features, functionality and safe operation.

## 4.2 SPECIFICATION

Stock no. ....	69580
Part no. ....	LLK2
Laser classification .....	Class II
Output power .....	<1mW
Wavelength .....	630-680nm, continuous wave
Laser accuracy .....	0.5mm/M
Operating range .....	3-8M†
Power source .....	2 x AAA
Tripod:	
Minimum height .....	420mm
Maximum height .....	1180mm

†Dependent upon lighting conditions etc.

**WARNING: LASER RADIATION, DO NOT STARE INTO BEAM. CLASS II LASER PRODUCT.**

## 5. GENERAL SAFETY INSTRUCTIONS

---

Laser radiation. Do NOT stare into beam. Class II laser product.

Viewing the laser output with certain optical instruments (for example, eye loupes, magnifiers and microscopes) with a distance of 100mm may pose an eye hazard.

Viewing the laser output with certain optical instruments designed for use at a distance (for example, telescopes and binoculars) may pose an eye hazard.

CAUTION: Use of controls or adjustments or performance of procedures other than those specified herein may result in hazardous radiation exposure.

Do NOT direct the beam towards a person's eyes.

Avoid positioning the laser such that it may lead to unintentional eye exposure to any potential passing pedestrians/traffic.

Do NOT direct the beam towards animals.

Do NOT use in the vicinity of children.

Do NOT direct the beam onto reflective surfaces.

Always switch off when not in use and do not leave unattended. Remove the batteries before storing the laser level away.

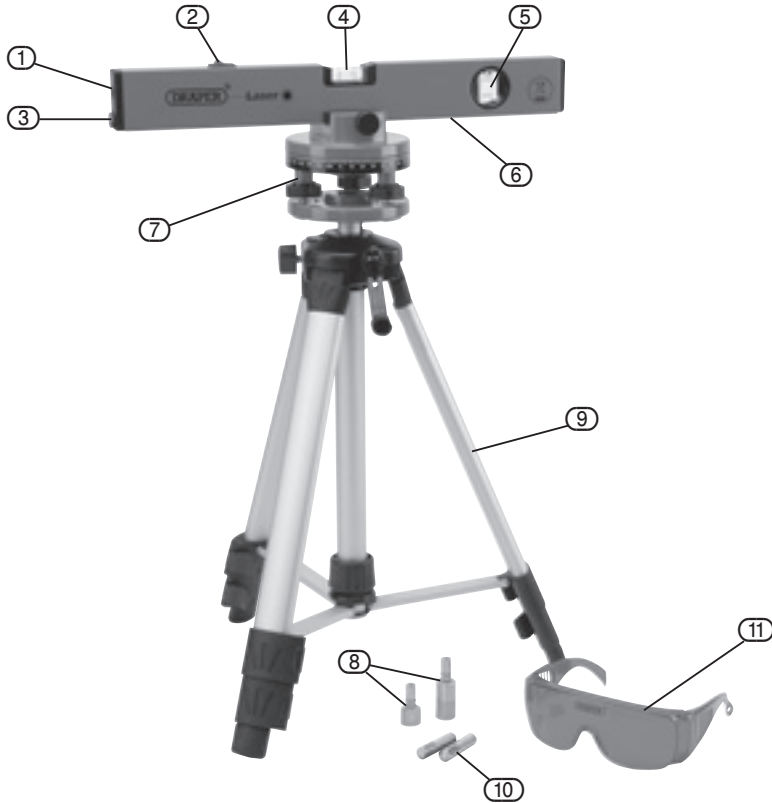
Store the level in a dry location, out of the reach of children.

Care must be taken to ensure that the laser level is not dropped, knocked or damaged during use or storage.

This laser level product has no serviceable parts. Do not attempt to disassemble or repair.

# 6. TECHNICAL DESCRIPTION

## 6.1 IDENTIFICATION



- ① Laser beam aperture.
- ② ON/OFF switch.
- ③ Battery compartment cover.
- ④ Horizontal vial.
- ⑤ Angle vial (360°).
- ⑥ Machined base.
- ⑦ Rotary swivel base.
- ⑧ Two brass 90° line generating glass prisms.
- ⑨ 1180mm tripod.
- ⑩ 2 x AAA batteries.
- ⑪ Laser enhancement goggles.

**UNPACKING:** After removing the packing material, make sure the product is in perfect condition and that there are no visible damaged parts. If in doubt, do not use the product and contact the dealer from whom it was purchased.

The packaging materials (plastic bags, polystyrene, etc.), must be disposed of in an appropriate refuse collection container. These materials must not be left within the reach of children as they are potential sources of danger.

## 7. ASSEMBLY

---

### **LASER LEVEL BATTERY INSTALLATION (FIG. 1):**

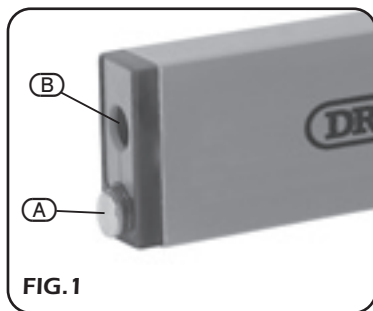
Unscrew cover (A) anticlockwise and remove.

Insert the 2 x AAA batteries\*, taking note of the polarity indicated on the side of the level. Replace the cover securely.

\* Draper Stock No.61833.

#### **NOTE:**

Ensure the laser beam aperture (B) is covered to avoid accidental beam exposure during battery installation/replacement.





## 8. OPERATION AND USE

---

Remove the tripod from the case, extend all the legs and place the tripod into position. Ensure the locking screw on the side of the tripod is tight. Adjust the height of each leg individually to align the bubble on the top of the tripod as near as possible to the centre of the circle.

Remove the rotary base or the self-levelling laser level from the case and screw onto the tripod taking care not to disturb its position. Using the three adjusters, align the bubble on the rotary base as near to the centre of the circle as possible or align the bubble on the self-levelling laser level as near to the centre of both vials.

To fine tune the rotary base place the level into the clamp centrally and tighten. Rotate the level clockwise until it is directly over one of the three adjusters. Turn the adjuster until the horizontal vial is level. Rotate the level a further 120° clockwise and adjust it to horizontal. Rotate the level a further 120° to complete the final adjustment.

**NOTE:**

If the location or the height of the tripod is changed these adjustments must be repeated.

**LASER LEVEL (FIG.2):**

Press the ON/OFF switch into the position marked 'I' to turn the laser beam on, and back to the 'O' position to turn the laser off.

**NOTE:**

The laser 'spot' level can be used for distance levelling, spot checking alignment, reference points etc. The two vials also allow horizontal and angle levelling.



## 9. EXPLANATION OF SYMBOLS

---

### 9.1 EXPLANATION OF SYMBOLS



LASER RADIATION.  
DO NOT STARE INTO BEAM.



WEEE  
Do not dispose of Waste Electrical  
& Electronic Equipment in with  
domestic rubbish

## 10. DISPOSAL

---

### 10.1 DISPOSAL

- At the end of the machine's working life, or when it can no longer be repaired, ensure that it is disposed of according to national regulations.
- Contact your local authority for details of collection schemes in your area.

In all circumstances:

- Do not dispose of power tools with domestic waste.
- Do not incinerate.
- Do not abandon in the environment.
- Do not dispose of WEEE\*  
as unsorted municipal waste.



\* Waste Electrical & Electronic Equipment.



- **DRAPER TOOLS LIMITED,**  
Hursley Road, Chandler's Ford,  
Eastleigh, Hampshire. SO53 1YF. U.K.
- **Helpline:** (023) 8049 4344
- **Sales Desk:** (023) 8049 4333
- **General Enquiries:** (023) 8026 6355
- **Service/Warranty Repair Agent**  
For aftersales servicing or warranty repairs, please  
contact the Draper Tools Helpline for details of an  
agent in your local area.

YOUR DRAPER STOCKIST

SRLJ1115

