



SPARE PARTS LISTING SHEET FOR

1500W 230V 20L Wet & Dry /Shampoo Vacuum Cleaner

Stock No.75442

Part No.SWD1500

KEY No.	PART No.	STOCK No.	DESCRIPTION
1	YSWD1500-01	83535	Handle
2	YSWD1500-02	83526	Power head
3	YSWD1500-03	83537	Tank clip
4	YSWD1500-04	83538	Suction base
5	YSWD1500-05	83539	Tank
6	YSWD1500-06	83540	Castor
7	YSWD1500-07	83541	Base
8	YSWD1500-08	83542	Wheel axle
9	YSWD1500-09	83543	Washer pack
10	YSWD1500-10	83544	Rear wheel
11	YSWD1500-11	83545	Soap tank
12	YSWD1500-12	83546	Soap tank cover
13	YSWD1500-13	83547	Accessory storage frame
14	YSWD1500-14	89663	Self-tapping screw
15	YSWD1500-15	89664	Lower handle assembly
16	YSWD1500-16	89665	Twist knob assembly

KEY No.	PART No.	STOCK No.	DESCRIPTION
17	YSWD1500-17	89666	Upper handle
18	AVC139	83548	Foam filter
19	AVC137	83533	Cartridge filter
20	AVC140	83550	Suction hose
21	AVC141	83551	Stainless telescopic tube
22	AVC142	83552	Hose storage hook
23	AVC143	83553	Remote handle
24	AVC144	83554	Shampoo head (large)
25	AVC145	83555	Shampoo spraying nozzle(large)
26	AVC146	83556	Shampoo head (small)
27	AVC147	83557	Shampoo spraying nozzle(small)
28	AVC130	61009	Combo floor brush
29	AVC87	06948	Round brush
30	AVC86	06946	Crevice tool
31	AVC148	83558	Dust collection bag x 3

Helpline: (023) 8049 4344. **Sales Desk:** (023) 8049 4333. **General Enquiries:** (023) 8026 6355.

DRAPER TOOLS LTD, HURSLEY ROAD, CHANDLER'S FORD, EASTLEIGH, HANTS. SO53 1YF. U.K website: www.drapertools.com e-mail: sales@drapertools.com

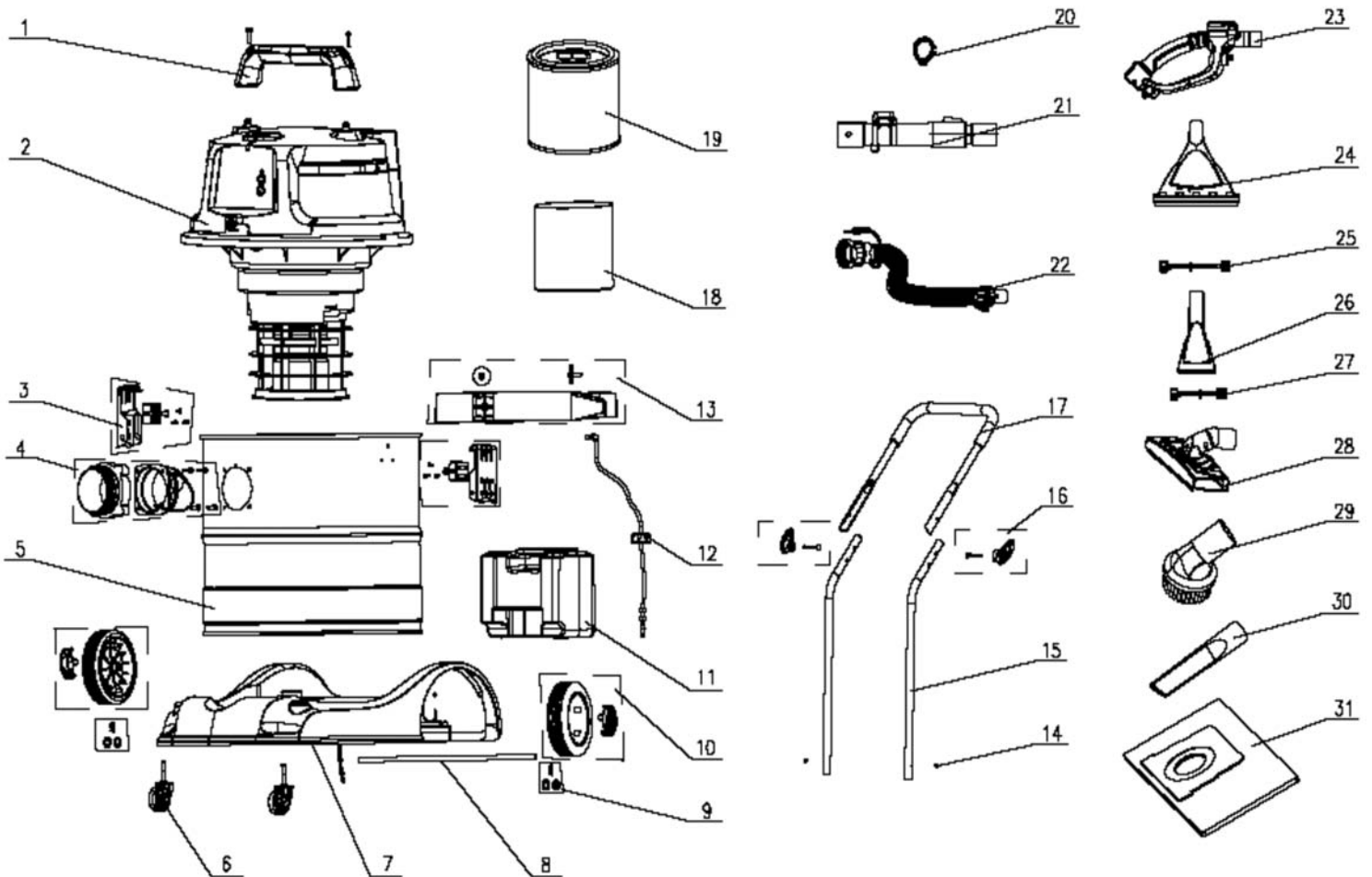


SPARE PARTS DRAWING SHEET FOR

1500W 230V 20L Wet & Dry /Shampoo Vacuum Cleaner

Stock No.75442

Part No.SWD1500



Helpline: (023) 8049 4344. Sales Desk: (023) 8049 4333. General Enquiries: (023) 8026 6355.

DRAPER TOOLS LTD, HURSLEY ROAD, CHANDLER'S FORD, EASTLEIGH, HANTS. SO53 1YF U.K website: www.drapertools.com e-mail: sales@drapertools.co.uk

DKMC1215