

DRAPER[®]

SPARE PARTS LISTING SHEET FOR

1500W 110V 50L Wet & Dry Vacuum Cleaner

Stock No.75443

Part No.WDV50SS/110A

KEY No.	PART No.	STOCK No.	DESCRIPTION
1	YWDV50SS110A-01	83513	Handle
2	YWDV50SS110A-02	83514	Power head
3	YWDV50SS110A-03	83515	Tank clip
4	YWDV50SS110A-04	83516	Suction base
5	YWDV50SS110A-05	83517	Drain cap
6	YWDV50SS110A-06	83518	Drain outlet assy
7	YWDV50SS110A-07	83519	Tank
8	YWDV50SS110A-08	83521	Base
9	YWDV50SS110A-09	83522	Rear wheel
10	YWDV50SS110A-10	83523	Washer pack
11	YWDV50SS110A-11	83524	Castor
12	YWDV50SS110A-12	83525	Castor with lock

KEY No.	PART No.	STOCK No.	DESCRIPTION
13	YWDV50SS110A-13	83526	Wheel axle
14	AVC132	83527	Suction hose
15	AVC133	83528	Extension wand
16	AVC134	83529	Cloth filter
17	AVC135	83530	Dust collection bag x3
18	AVC136	83532	Foam filter
19	AVC137	83533	Cartridge filter
20	AVC87	06948	Round brush
21	AVC131	61770	Adaptor
22	AVC130	61009	Combo floor brush
23	AVC86	06946	Crevice tool
24	AVC138	83534	Air regulator handle

Helpline: (023) 8049 4344. Sales Desk: (023) 8049 4333. General Enquiries: (023) 8026 6355.DRAPER TOOLS LTD, HURSLEY ROAD, CHANDLER'S FORD, EASTLEIGH, HANTS. SO53 1YF. U.K website: www.drapertools.com e-mail: sales@drapertools.com

DKCH0815

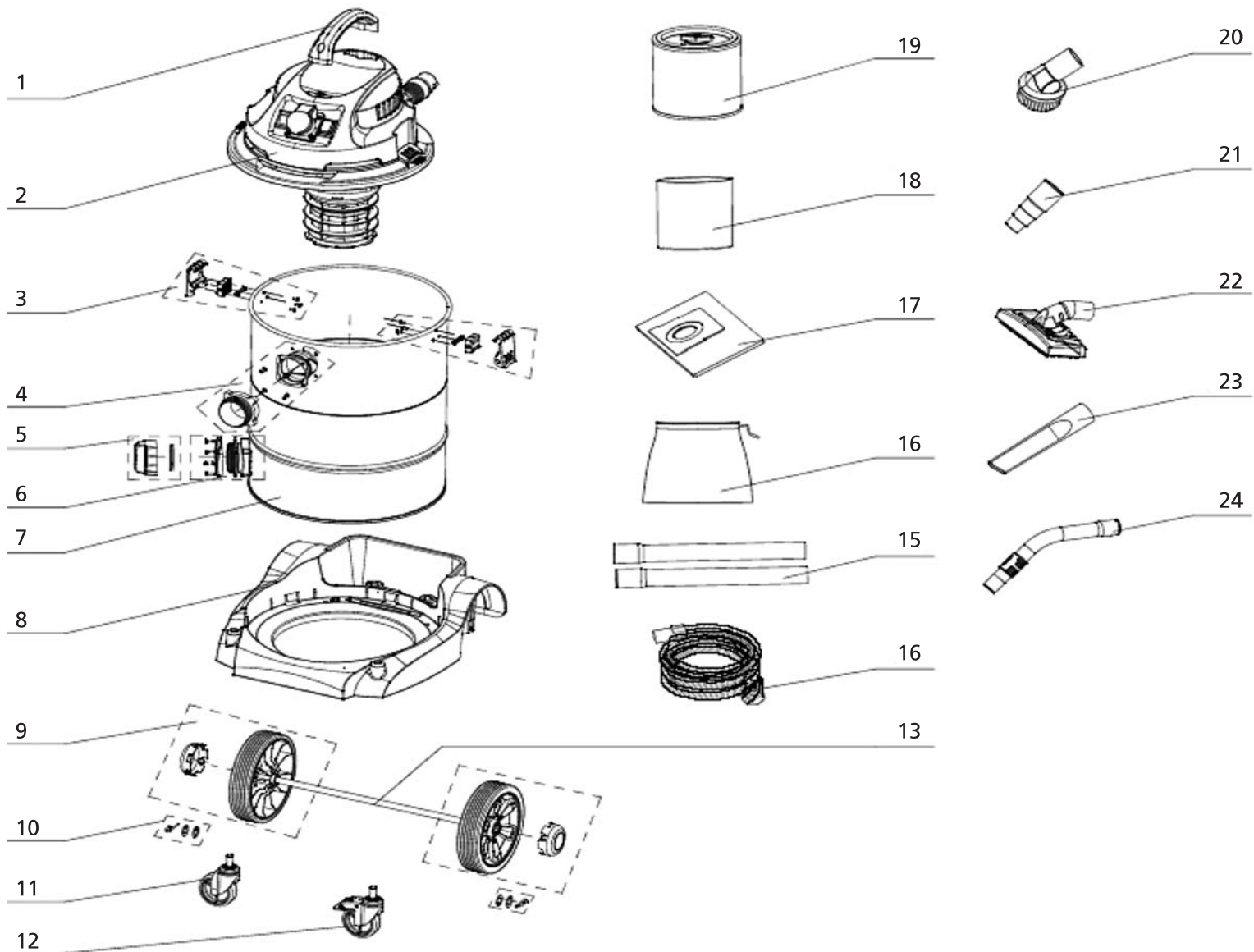


SPARE PARTS DRAWING SHEET FOR

1500W 110V 50L Wet & Dry Vacuum Cleaner

Stock No.75443

Part No.WDV50SS/110A



Helpline: (023) 8049 4344. **Sales Desk:** (023) 8049 4333. **General Enquiries:** (023) 8026 6355.

DRAPER TOOLS LTD, HURSLEY ROAD, CHANDLER'S FORD, EASTLEIGH, HANTS. SO53 1YF. U.K website: www.drapertools.com e-mail: sales@drapertools.com

DKCH0815