

DRAPER[®]

SPARE PARTS LISTING SHEET FOR

230V 50L Twin V Oil Free Air Compressor

Stock No.81710

Part No.DA50/322TV

KEY No.	PART No.	STOCK No.	DESCRIPTION
1	CDA50/322TV-1	81999	Air filter
2	CDA50/322TV-2	82000	Connector M16X1.5
3	CDA50/322TV-3	82002	Screw ST3.9X12
4	CDA50/322TV-4	82003	Front fan cover
5	CDA50/322TV-5	82004	Handle grip
6	CDA50/322TV-6	82005	Screw M6X65
7	CDA50/322TV-7	82006	Washer 6
8	CDA50/322TV-8	82007	Connector 2-G3/8
9	CDA50/322TV-9	82008	High pressure pipe
10	CDA50/322TV-10	82009	Cylinder head O-ring
11	CDA50/322TV-11	82010	Valve assembly
12	CDA50/322TV-12	82011	Cylinder O-ring
13	CDA50/322TV-13	82012	Cylinder
14	CDA50/322TV-14	82013	Screw M5x16
15	CDA50/322TV-15	82014	Piston pressing plate
16	CDA50/322TV-16	82015	Piston ring
17	CDA50/322TV-17	82016	Connecting rod
18	CDA50/322TV-18	82017	Screw M4X20
19	CDA50/322TV-19	82018	Three-way valve
20	CDA50/322TV-20	82019	Connector G3/8-G1/4
21	CDA50/322TV-21	82020	Back fan cover
22	CDA50/322TV-22	82021	Bolt M5x25
23	CDA50/322TV-23	82022	Screw M3x6
24	CDA50/322TV-24	82023	Washer 3
25	CDA50/322TV-25	82024	Circlip 14
26	CDA50/322TV-26	82025	Fan
27	CDA50/322TV-27	82026	Screw M4X10
28	CDA50/322TV-28	82027	Washer 4
29	CDA50/322TV-29	82028	Tooth washer 4
30	CDA50/322TV-30	82029	Motor bracket
31	CDA50/322TV-31	82030	Bearing 6202
32	CDA50/322TV-32	82031	Screw M6X115
33	CDA50/322TV-33	82032	95mm Stator
34	CDA50/322TV-34	82033	Capacitor 45uF
35	CDA50/322TV-35	82034	95mm Rotor

KEY No.	PART No.	STOCK No.	DESCRIPTION
36	CDA50/322TV-36	82035	Bearing 6204
37	CDA50/322TV-37	82036	Crankcase
38	CDA50/322TV-38	82037	Crank shaft
39	CDA50/322TV-39	82038	Screw M6X50
40	CDA50/322TV-40	82039	Bearing 6004
41	CDA50/322TV-41	82040	Washer 20x25.5
42	CDA50/322TV-42	82041	Centrifuge fan
43	CDA50/322TV-43	82042	Washer 6
44	CDA50/322TV-44	82043	Screw M6X20
45	CDA50/322TV-45	82044	Pressure switch
46	CDA50/322TV-46	82045	Internal wire
47	CDA50/322TV-47	82046	Power plug
48	CDA50/322TV-48	82047	Regulator
49	CDA50/322TV-49	82048	Quick coupler
50	CDA50/322TV-50	82049	Safety valve
51	CDA50/322TV-51	82050	Pressure gauge
52	CDA50/322TV-52	82051	Nut G1/2
53	CDA50/322TV-53	82052	Check valve
54	CDA50/322TV-54	82053	Release pipe
55	CDA50/322TV-55	82054	Pipe
56	CDA50/322TV-56	82055	Air tank 50L
57	CDA50/322TV-57	82056	Nut M8
58	CDA50/322TV-58	82057	Washer foot
59	CDA50/322TV-59	82058	Bolt M8
60	CDA50/322TV-60	82059	Drain valve
61	CDA50/322TV-61	82060	Shaft sleeve
62	CDA50/322TV-62	82061	Wheel 8inch
63	CDA50/322TV-63	82062	Flat washer 8
64	CDA50/322TV-64	82063	O-ring
65	CDA50/322TV-65	82065	G1/2 plug
66	CDA50/322TV-66	82066	Flange nut M6
67	CDA50/322TV-67	82067	Washer M6
68	CDA50/322TV-68	82068	Screw M6X25
69	CDA50/322TV-69	82069	Protector
70	CDA50/322TV-70	82070	Nut

Helpline: (023) 8049 4344. Sales Desk: (023) 8049 4333. General Enquiries: (023) 8026 6355.

DRAPER TOOLS LTD, HURSLEY ROAD, CHANDLER'S FORD, EASTLEIGH, HANTS. SO53 1YF. U.K website: www.drapertools.com e-mail: sales@drapertools.com

PSC0615

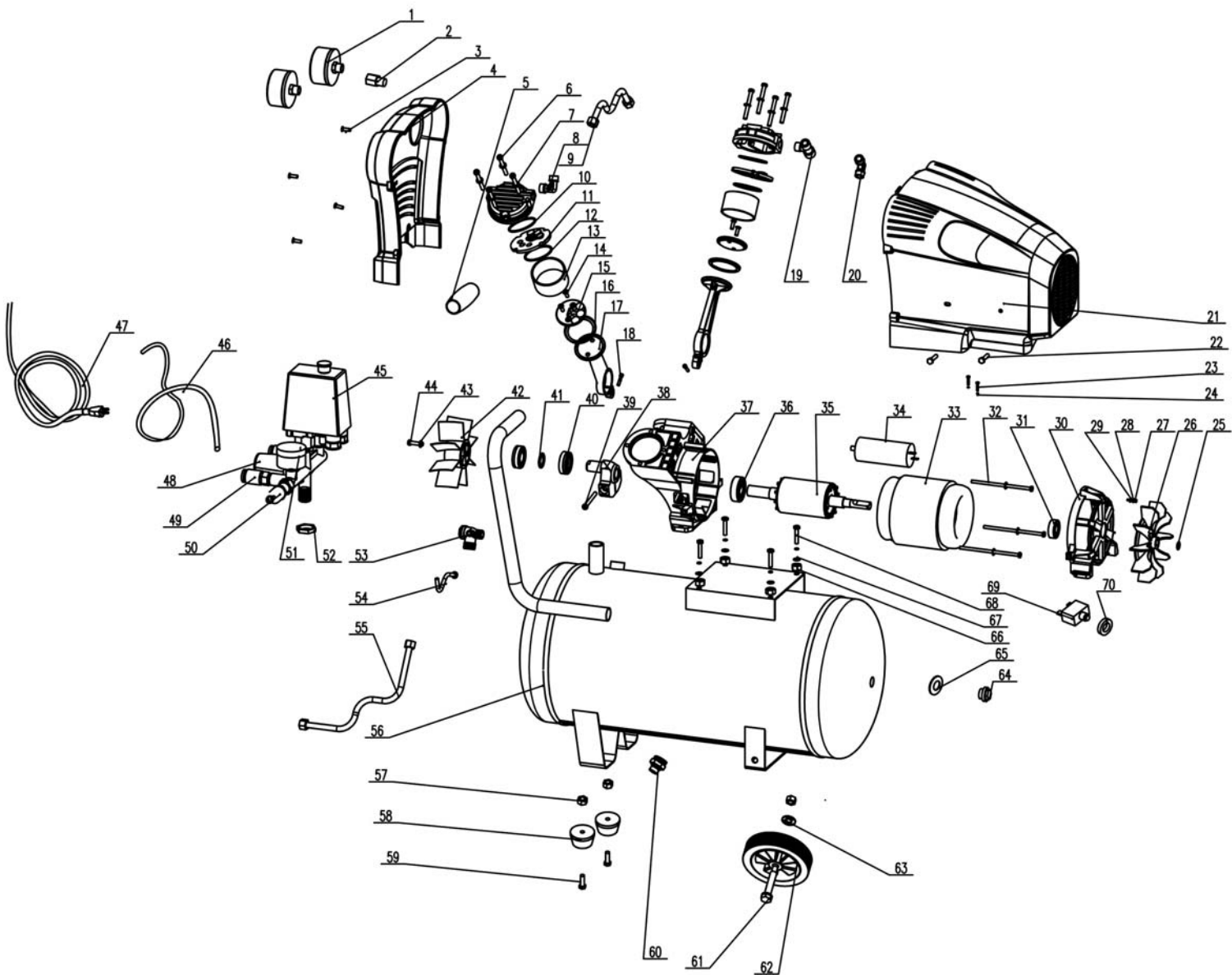


SPARE PARTS DRAWING SHEET FOR

230V 50L Twin V Oil Free Air Compressor

Stock No.81710

Part No.DA50/322TV



Helpline: (023) 8049 4344. Sales Desk: (023) 8049 4333. General Enquiries: (023) 8026 6355.

DRAPER TOOLS LTD, HURSLEY ROAD, CHANDLER'S FORD, EASTLEIGH, HANTS. SO53 1YF. U.K website: www.drapertools.com e-mail: sales@drapertools.com