



SPARE PARTS LISTING SHEET FOR

200mm 230V

Cast Table Saw and Accessories

Stock Nos.82108, 82112, 82110, 82109, 82385.
Part Nos.CTS200A, ACTS3, ACTS2, ACTS1, CTS200.

KEY No.	PART No.	STOCK No.	DESCRIPTION
1	YCTS200-A1	84455	Leg
2	YCTS200-A2	84521	Switch box
3	YCTS200-A3	84457	Metric bushing M16
4	YCTS200-A4	84522	Screw M5x16
5	YCTS200-A5	84458	Washer Ø5
6	YCTS200-A6	84524	Hex. nut M5
7	YCTS200-A7	84459	Screw M6x16
8	YCTS200-A8	84525	Washer Ø6
9	YCTS200-A9	84460	Saw faceplate
10	YCTS200-A10	84526	Large washer 6
11	YCTS200-A11	84461	Hex. nut M6
12	YCTS200-A12	84527	Hex. bolt M6x12
13	YCTS200-A13	84462	Hex. nut M6
14	YCTS200-A14	84528	Screw M5x14
15	YCTS200-A15	84463	Threaded shaft support
16	YCTS200-A16	84529	Washer Ø5
17	YCTS200-A17	84466	Locking nut M5
18	YCTS200-A18	84530	Hex. nut M6
19	YCTS200-A19	84467	Hex. bolt M6x30
20	YCTS200-A20	84531	Threaded nut
21	YCTS200-A21	84469	Threaded shaft
22	YCTS200-A22	84532	"C" ring Ø10
23	YCTS200-A23	84470	Set screw M8x6
24	YCTS200-A24	84533	Limitative bush
25	YCTS200-A25	84471	Bearing rack
26	YCTS200-A26	84534	Washer Ø5
27	YCTS200-A27	84472	Hex. bolt M5x10
28	YCTS200-A28	84535	Bearing 6000
29	YCTS200-A29	84473	"C" ring Ø26
30	YCTS200-A30	84536	Space bush
31	YCTS200-A31	84474	Hand wheel
32	YCTS200-A32	84537	Set screw M6x12
33	YCTS200-A33	84475	Hex. nut M6
34	YCTS200-A34	84539	Washer Ø6
35	YCTS200-A35	84476	Hex. bolt M6x16

KEY No.	PART No.	STOCK No.	DESCRIPTION
36	YCTS200-A36	84540	Screw M6x10
37	YCTS200-A37	84477	Washer Ø6
38	YCTS200-A38	84541	Protective cover
39	YCTS200-A39	84478	Protective cover
40	YCTS200-A40	84542	Hex. nut M6
41	YCTS200-A41	84479	Washer Ø6
42	YCTS200-A42	84543	Hex. bolt M6x16
43	YCTS200-A43	84481	Hex. nut M6
44	YCTS200-A44	84544	Outstretched arm
45	YCTS200-A45	84482	Angle iron
46	YCTS200-A46	84545	Large washer 6
47	YCTS200-A47	84483	Box assembly
49	YCTS200-A49	84484	Guide rail
50	YCTS200-A50	84547	Hex. nut M8
51	YCTS200-A51	84485	Washer Ø8
52	YCTS200-A52	84548	Screw M8x10
53	YCTS200-A53	84486	Locking handle
54	YCTS200-A54	84549	Pin 3x12
55	YCTS200-A55	84487	Locking shaft
56	YCTS200-A56	84550	Large washer 8
57	YCTS200-A57	84488	Space bush
58	YCTS200-A58	84551	Screw M4x6
59	YCTS200-A59	84489	Tooth washer 4
60	YCTS200-A60	84552	Pointer
62	YCTS200-A62	84553	Large washer 8
63	YCTS200-A63	84491	Locking nut M8
64	YCTS200-A64	84554	Hex. nut M8
65	YCTS200-A65	84492	Locking nut M6
66	YCTS200-A66	84555	Washer Ø6
67	YCTS200-A67	84493	Supporting rear
68	YCTS200-A68	84556	Screw M6x30
69	YCTS200-A69	84494	Screw M6x16
70	YCTS200-A70	84560	Washer Ø6
71	YCTS200-A71	84495	Supporting plate
72	YCTS200-A72	84561	Screw M6x12

Helpline: (023) 8049 4344. Sales Desk: (023) 8049 4333. General Enquiries: (023) 8026 6355.

DRAPER TOOLS LTD, HURSLEY ROAD, CHANDLER'S FORD, EASTLEIGH, HANTS. SO53 1YF. U.K website: drapertools.com e-mail: sales@drapertools.co m

DKMC071115



SPARE PARTS LISTING SHEET FOR

200mm 230V

Cast Table Saw and Accessories

Stock Nos.82108, 82112, 82110, 82109, 82385.
Part Nos.CTS200A, ACTS3, ACTS2, ACTS1, CTS200.

KEY No.	PART No.	STOCK No.	DESCRIPTION
74	YCTS200-A74	84562	Main table
75	YCTS200-A75	84499	Screw M6x45
76	YCTS200-A76	84563	Aluminium plate
77	YCTS200-A77	84500	Screw M4x10
78	YCTS200-A78	84564	Insert
79	YCTS200-A79	84501	Screw M6x10
80	YCTS200-A80	84565	Screw M6x45
81	YCTS200-A81	84502	Washer Ø6
82	YCTS200-A82	84566	Locking nut M6
83	YCTS200-A83	84503	Hex. bolt M6x16
84	YCTS200-A84	84567	Washer Ø6
85	YCTS200-A85	84504	Hex. nut M6
86	YCTS200-A86	84568	Hex. nut M6
87	YCTS200-A87	84505	Large washer 6
88	YCTS200-A88	84569	Hex. bolt M6x16
89	YCTS200-A89	84506	Extending table
90	YCTS200-A90	84570	Vertical fence
92	YCTS200-A92	84571	Rubber feet
93	YCTS200-A93	84508	Screw M6x12
94	YCTS200-A94	84572	Washer Ø6
95	YCTS200-A95	84509	Hex. nut M6
96	YCTS200-A96	84573	Cross beam

KEY No.	PART No.	STOCK No.	DESCRIPTION
97	YCTS200-A97	84510	Chassis
98	YCTS200-A98	84574	Plug
99	YCTS200-A99	84511	Screw ST3.8x16
100	YCTS200-A100	84575	Switch
101	YCTS200-A101	84512	Screw ST3.8x10
102	YCTS200-A102	84576	Switch box cap
103	YCTS200-A103	84513	Dust tube 50
104	YCTS200-A104	84577	Throat banding Ø50
105	YCTS200-A105	84514	T-way pipe
106	YCTS200-A106	84579	Screw M5x12
107	YCTS200-A107	84515	Washer Ø5
108	YCTS200-A108	84580	Hex. nut M5
109	YCTS200-A109	84516	Throat banding Ø32
110	YCTS200-A110	84581	Dust tube 32
111	YCTS200-A111	84517	Plastic sleeve
112	YCTS200-A112	84584	Link tube
113	YCTS200-A113	84518	Pipe support
114	YCTS200-A114	84585	Hex. nut M6
115	YCTS200-A115	84519	Hex. nut
116	YCTS200-A116	84586	Washer Ø6
117	YCTS200-A117	84520	Hex. bolt M6x12

Helpline: (023) 8049 4344. Sales Desk: (023) 8049 4333. General Enquiries: (023) 8026 6355.

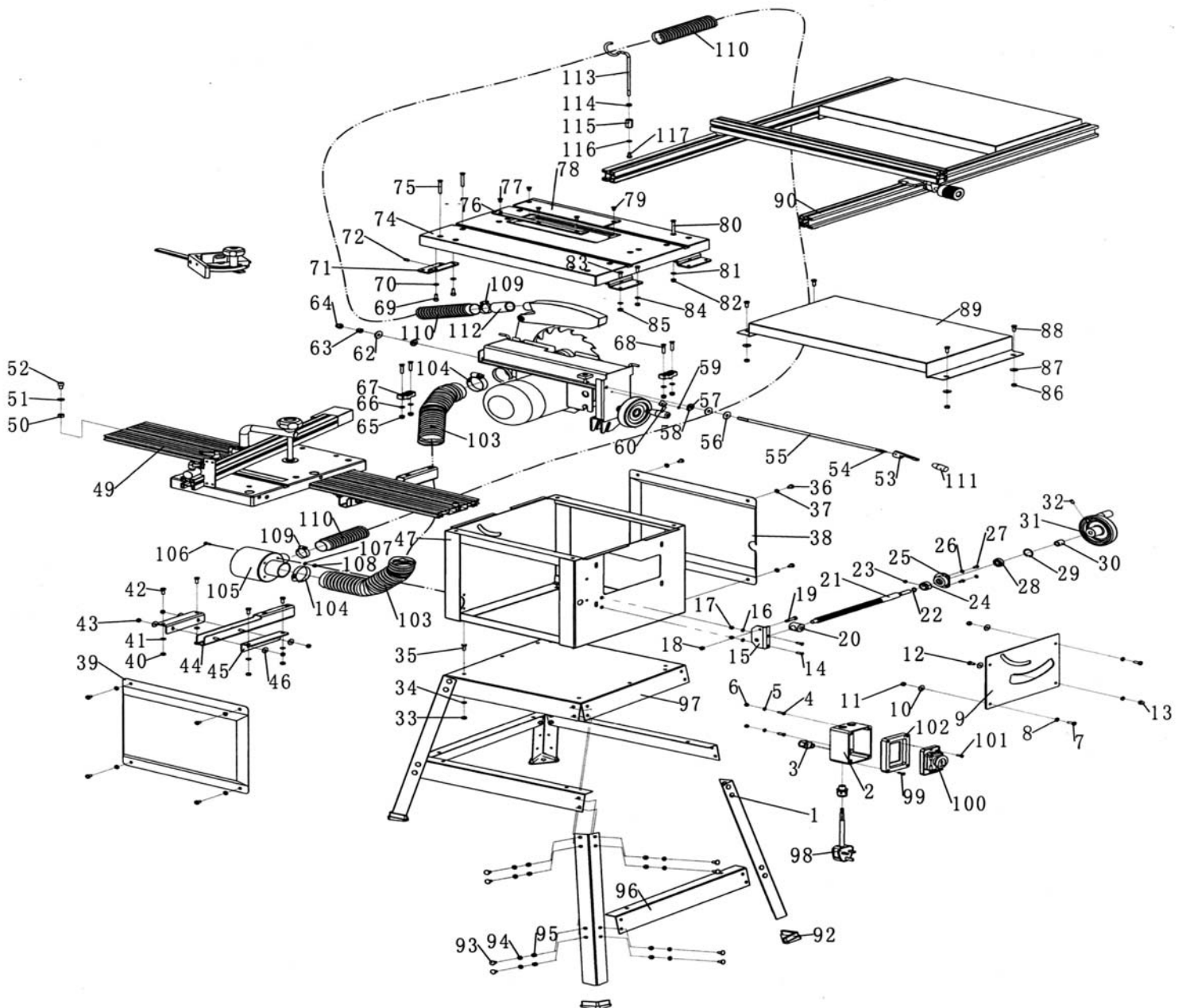
DRAPER TOOLS LTD, HURSLEY ROAD, CHANDLER'S FORD, EASTLEIGH, HANTS. SO53 1YF. U.K website: drapertools.com e-mail: sales@drapertools.co m



SPARE PARTS DRAWING SHEET FOR

200mm 230V Cast Table Saw and Accessories

Stock Nos.82108, 82112, 82110, 82109, 82385.
Part Nos.CTS200A, ACTS3, ACTS2, ACTS1, CTS200.



Helpline: (023) 8049 4344. Sales Desk: (023) 8049 4333. General Enquiries: (023) 8026 6355.

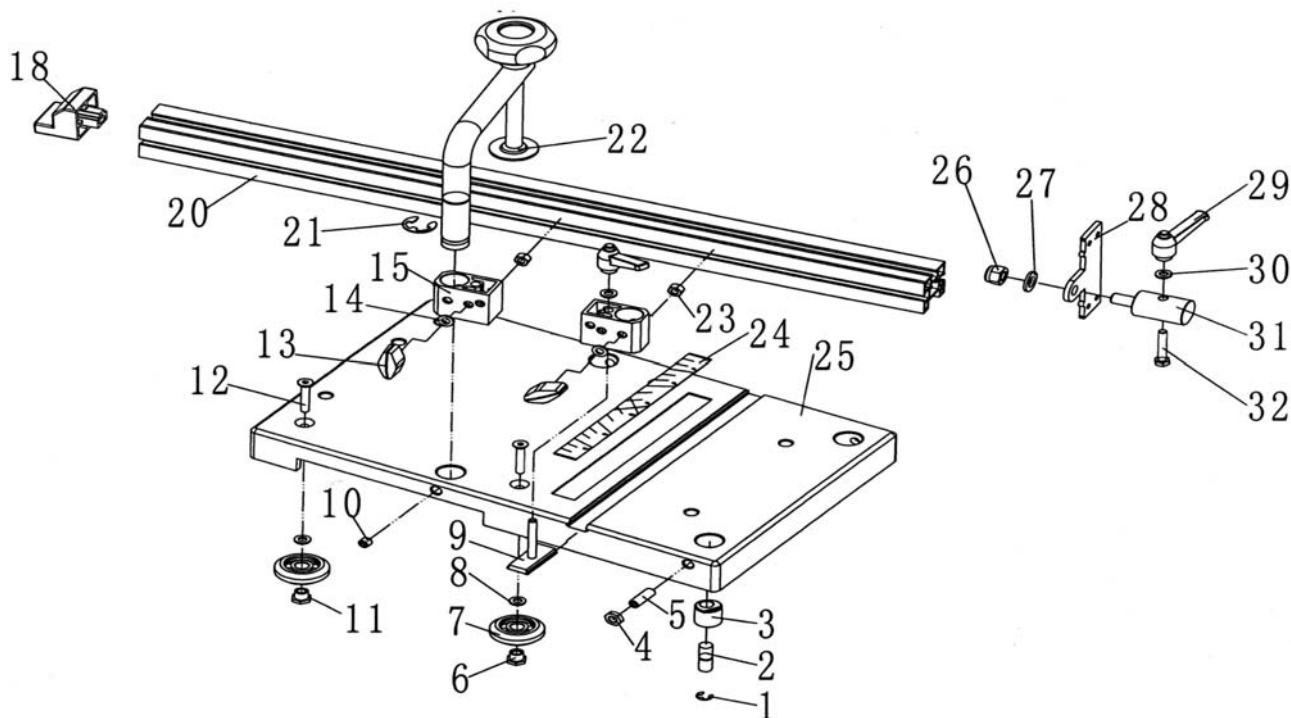
DRAPER TOOLS LTD, HURSLEY ROAD, CHANDLER'S FORD, EASTLEIGH, HANTS. SO53 1YF. U.K website: drapertools.com e-mail: sales@drapertools.co m



SPARE PARTS LISTING & DRAWING SHEET FOR

200mm 230V Cast Table Saw and Accessories

Stock Nos.82108, 82112, 82110, 82109, 82385.
Part Nos.CTS200A, ACTS3, ACTS2, ACTS1, CTS200.



KEY No.	PART No.	STOCK No.	DESCRIPTION
1	YCTS200-B1	84587	C-shaped ring
2	YCTS200-B2	84603	Sliding axle
3	YCTS200-B3	84588	Eccentric bush
4	YCTS200-B4	84604	Hex. thin nut M8
5	YCTS200-B5	84589	Set screw M8x25
6	YCTS200-B6	84605	Eccentric nut
7	YCTS200-B7	84590	Trolley
8	YCTS200-B8	84606	Washer Ø6
9	YCTS200-B9	84592	T-shaped bolt
10	YCTS200-B10	84607	Set screw M8x10
11	YCTS200-B11	84593	Homocentric nut
12	YCTS200-B12	84608	Screw M6x35
13	YCTS200-B13	84594	Rhombic handgrip
14	YCTS200-B14	84609	Washer Ø6
15	YCTS200-B15	84595	Connecting block

KEY No.	PART No.	STOCK No.	DESCRIPTION
18	YCTS200-B18	84610	Plastic block
19	YCTS200-B19	84596	Hex. bolt M6x25
20	YCTS200-B20	84611	Angle fence
21	YCTS200-B21	84597	"E" ring Ø12
22	YCTS200-B22	84612	Press handle
23	YCTS200-B23	84598	Hex. nut M6
24	YCTS200-B24	84613	Angle ruler
25	YCTS200-B25	84599	Sliding table
26	YCTS200-B26	84617	Locking nut M10
27	YCTS200-B27	84600	Washer Ø10
28	YCTS200-B28	84619	Turing plate
29	YCTS200-B29	84601	Small handgrip
30	YCTS200-B30	84620	Washer Ø6
31	YCTS200-B31	84602	Locating pole
32	YCTS200-B32	84621	Hex. bolt M6x35

Helpline: (023) 8049 4344. **Sales Desk:** (023) 8049 4333. **General Enquiries:** (023) 8026 6355.

DRAPER TOOLS LTD, HURSLEY ROAD, CHANDLER'S FORD, EASTLEIGH, HANTS. SO53 1YF. U.K website: drapertools.com e-mail: sales@drapertools.co m



SPARE PARTS LISTING SHEET FOR

200mm 230V

Cast Table Saw and Accessories

Stock Nos.82108, 82112, 82110, 82109, 82385.
Part Nos.CTS200A, ACTS3, ACTS2, ACTS1, CTS200.

KEY No.	PART No.	STOCK No.	DESCRIPTION
1	YCTS200-C1	84622	Dust collector
2	YCTS200-C2	84656	Hex. bolt M8x16
3	YCTS200-C3	84623	Large washer Ø8
4	YCTS200-C4	84657	Platen
5	YCTS200-C5	84625	Saw blade
6	YCTS200-C6	84658	Hex bolt M6x16
7	YCTS200-C7	84626	Very large washer Ø6
8	YCTS200-C8	84660	Motor pulley
9	YCTS200-C9	84628	Cuneal belt
10	YCTS200-C10	84664	Driven pulley
11	YCTS200-C11	84629	"C"ring Ø15
12	YCTS200-C12	84665	Bearing 6202
13	YCTS200-C13	84630	"C"ring Ø35
14	YCTS200-C14	84666	Saw axis
15	YCTS200-C15	84631	Parallel plate
16	YCTS200-C16	84667	Locking nut M6
17	YCTS200-C17	84632	Connecting plate
18	YCTS200-C18	84668	Large washer Ø6
19	YCTS200-C19	84633	Hex. bolt M6x16
20	YCTS200-C20	84669	Hex. bolt M8x16
21	YCTS200-C21	84634	Washer Ø8
22	YCTS200-C22	84670	Hex. flange nut M6
24	YCTS200-C24	84671	Washer Ø12
25	YCTS200-C25	84635	Hex. thin nut M12
26	YCTS200-C26	84673	Turning pole

KEY No.	PART No.	STOCK No.	DESCRIPTION
27	YCTS200-C27	84637	Motor rack
28	YCTS200-C28	84674	"C"ring Ø19
30	YCTS200-C30	84675	Motor
31	YCTS200-C31	84638	Hex. bolt M8x25
32	YCTS200-C32	84676	Washer Ø8
33	YCTS200-C33	84639	Clamp plate
34	YCTS200-C34	84677	Riving wedge
35	YCTS200-C35	84641	Bolt M6x30
36	YCTS200-C36	84678	Screw M3x20
37	YCTS200-C37	84642	Exterior dust collector
38	YCTS200-C38	84679	Washer Ø6
39	YCTS200-C39	84644	Locking nut M6
40	YCTS200-C40	84680	Spring pin 6x85
42	YCTS200-C42	84681	Turning support
44	YCTS200-C44	84683	Hex. thin nut M10
45	YCTS200-C45	84645	Bolt shaft
46	YCTS200-C46	84684	Hand wheel
48	YCTS200-C48	84685	Spring pin 3x25
49	YCTS200-C49	84648	Washer Ø10
50	YCTS200-C50	84686	Spring washer Ø10
51	YCTS200-C51	84651	Parallel plate
52	YCTS200-C52	84687	Washer Ø8
53	YCTS200-C53	84653	Spring washer Ø8
54	YCTS200-C54	84688	Bolt M8x16
55	YCTS200-C55	84655	Screw M5x12

Helpline: (023) 8049 4344. Sales Desk: (023) 8049 4333. General Enquiries: (023) 8026 6355.

DRAPER TOOLS LTD, HURSLEY ROAD, CHANDLER'S FORD, EASTLEIGH, HANTS. SO53 1YF. U.K website: drapertools.com e-mail: sales@drapertools.co m

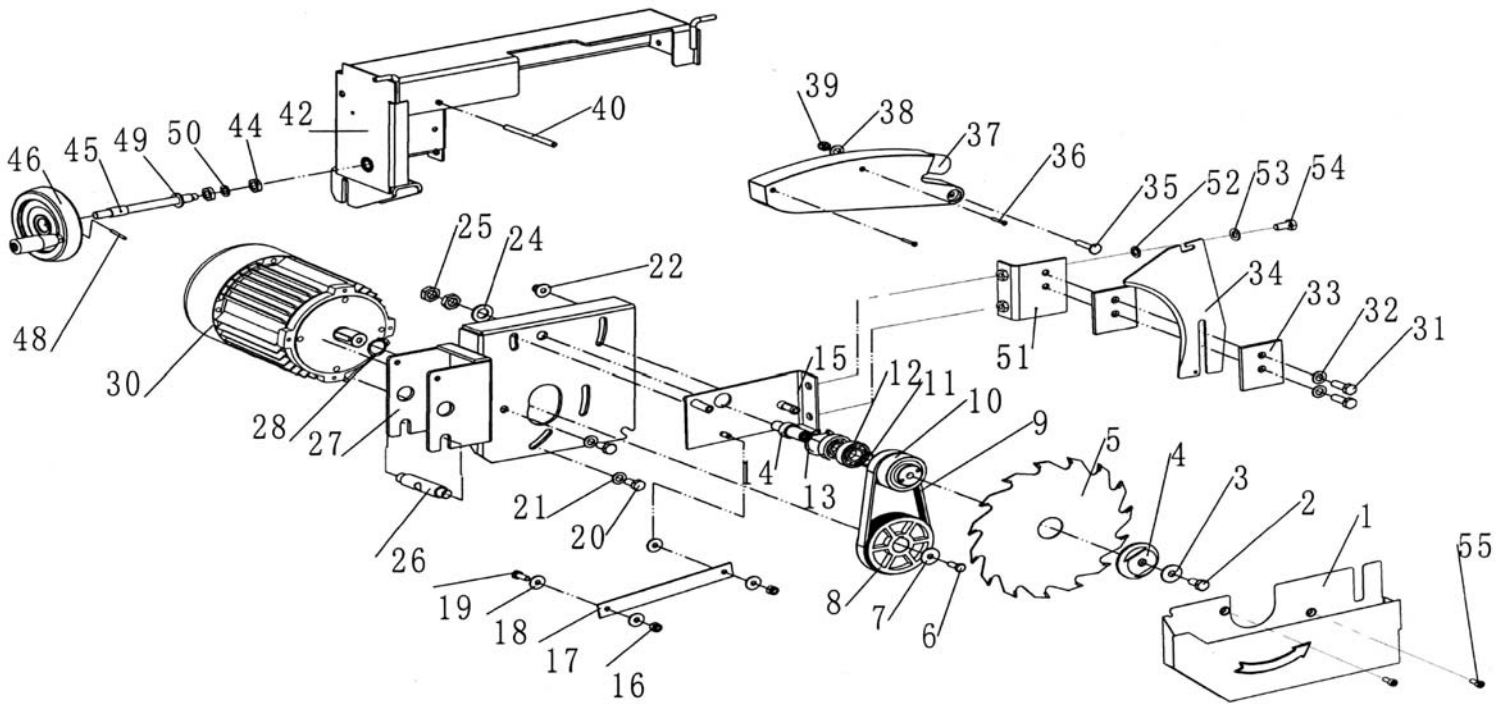
DKMC071115



SPARE PARTS DRAWING SHEET FOR

200mm 230V Cast Table Saw and Accessories

Stock Nos.82108, 82112, 82110, 82109, 82385.
Part Nos.CTS200A, ACTS3, ACTS2, ACTS1, CTS200.



Helpline: (023) 8049 4344. **Sales Desk:** (023) 8049 4333. **General Enquiries:** (023) 8026 6355.

DRAPER TOOLS LTD, HURSLEY ROAD, CHANDLER'S FORD, EASTLEIGH, HANTS. SO53 1YF. U.K website: drapertools.com e-mail: sales@drapertools.co m

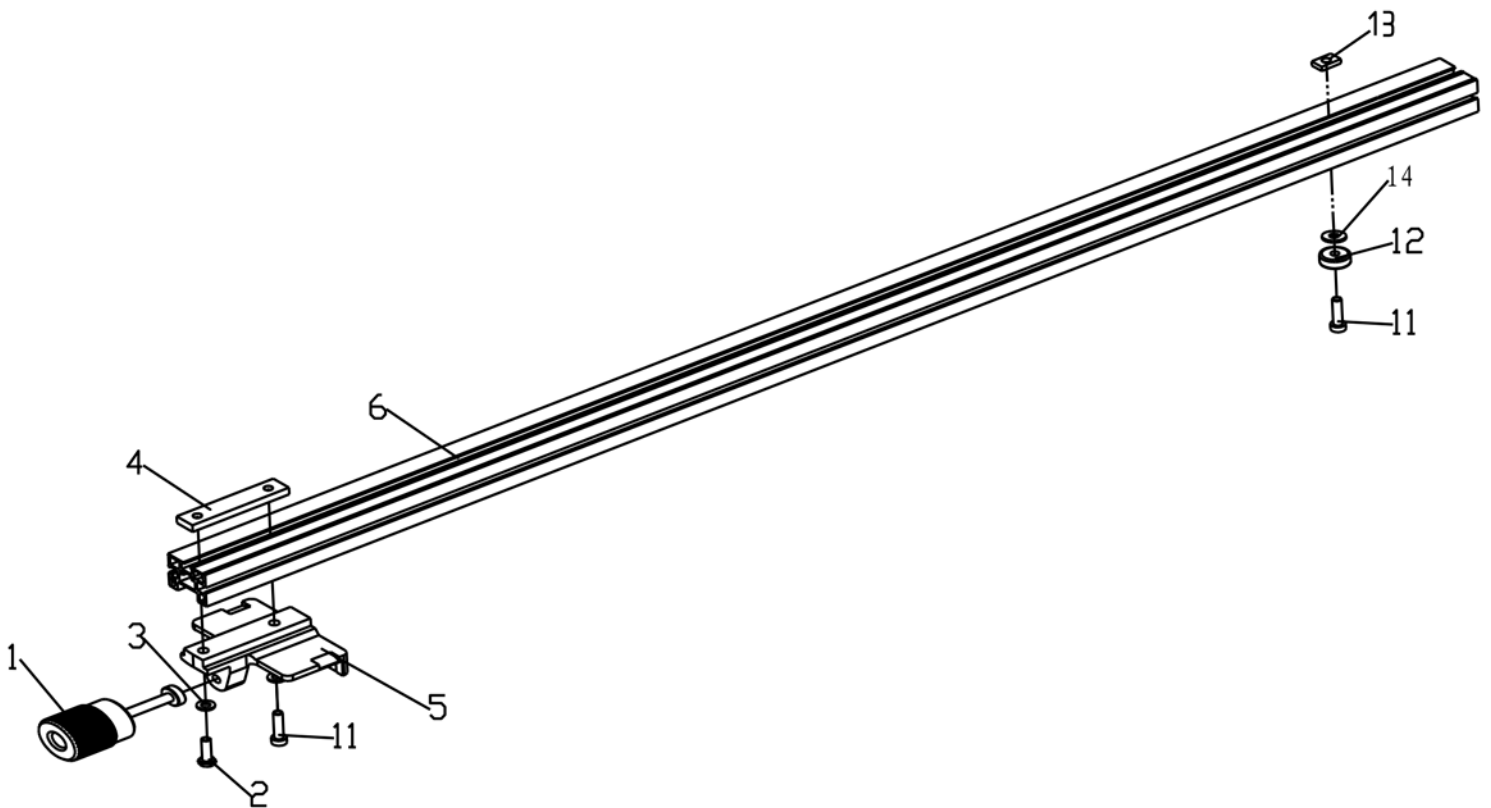
DKMC071115



SPARE PARTS LISTING & DRAWING SHEET FOR

200mm 230V Cast Table Saw and Accessories

Stock Nos.82108, 82112, 82110, 82109, 82385.
Part Nos.CTS200A, ACTS3, ACTS2, ACTS1, CTS200.



KEY No.	PART No.	STOCK No.	DESCRIPTION
1	YCTS200-D1	84689	Locking handle
2	YCTS200-D2	84694	Hex bolt M6x25
3	YCTS200-D3	84690	Washer Ø6
4	YCTS200-D4	84695	Fixing plate
5	YCTS200-D5	84691	Locking bracket

KEY No.	PART No.	STOCK No.	DESCRIPTION
6	YCTS200-D6	84696	Long fence
11	YCTS200-D11	84692	Socket cap screw M6x30
12	YCTS200-D12	84697	Rubber tray
13	YCTS200-D13	84693	Hex nut M6
14	YCTS200-D14	84698	Washer Ø6

Helpline: (023) 8049 4344. Sales Desk: (023) 8049 4333. General Enquiries: (023) 8026 6355.

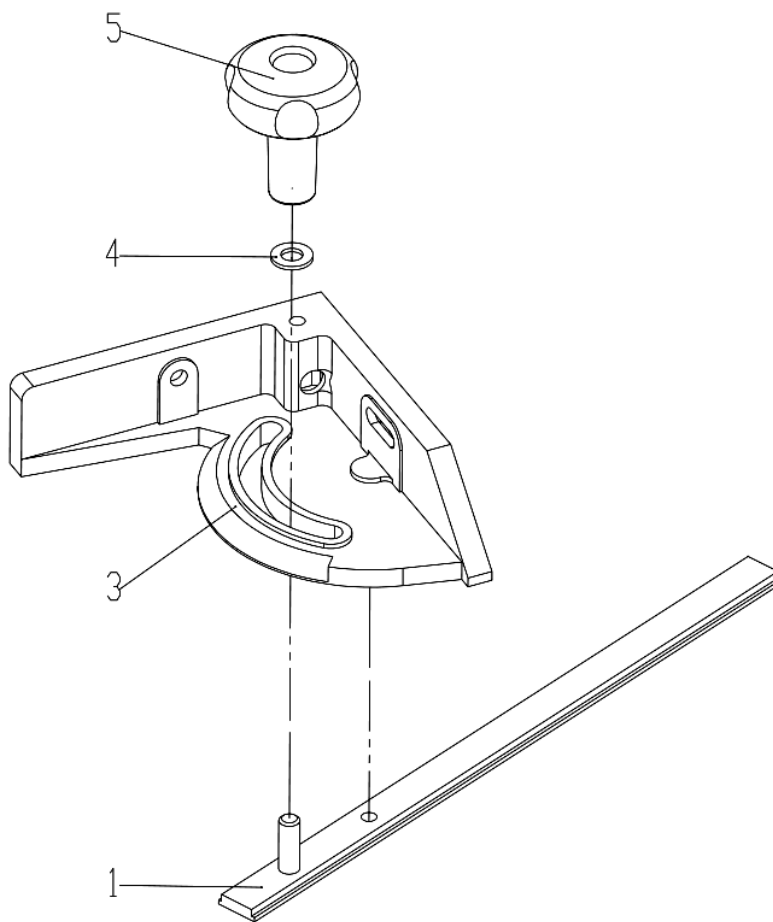
DRAPER TOOLS LTD, HURSLEY ROAD, CHANDLER'S FORD, EASTLEIGH, HANTS. SO53 1YF. U.K website: drapertools.com e-mail: sales@drapertools.co m



SPARE PARTS LISTING & DRAWING SHEET FOR

200mm 230V Cast Table Saw and Accessories

Stock Nos.82108, 82112, 82110, 82109, 82385.
Part Nos.CTS200A, ACTS3, ACTS2, ACTS1, CTS200.



KEY No.	PART No.	STOCK No.	DESCRIPTION
1	YCTS200-E1	84699	T-shaped plate
3	YCTS200-E3	84700	Mitre gauge

KEY No.	PART No.	STOCK No.	DESCRIPTION
4	YCTS200-E4	84702	Washer Ø8
5	YCTS200-E5	84701	Long handle

Helpline: (023) 8049 4344. **Sales Desk:** (023) 8049 4333. **General Enquiries:** (023) 8026 6355.

DRAPER TOOLS LTD, HURSLEY ROAD, CHANDLER'S FORD, EASTLEIGH, HANTS. SO53 1YF. U.K website: drapertools.com e-mail: sales@drapertools.co m