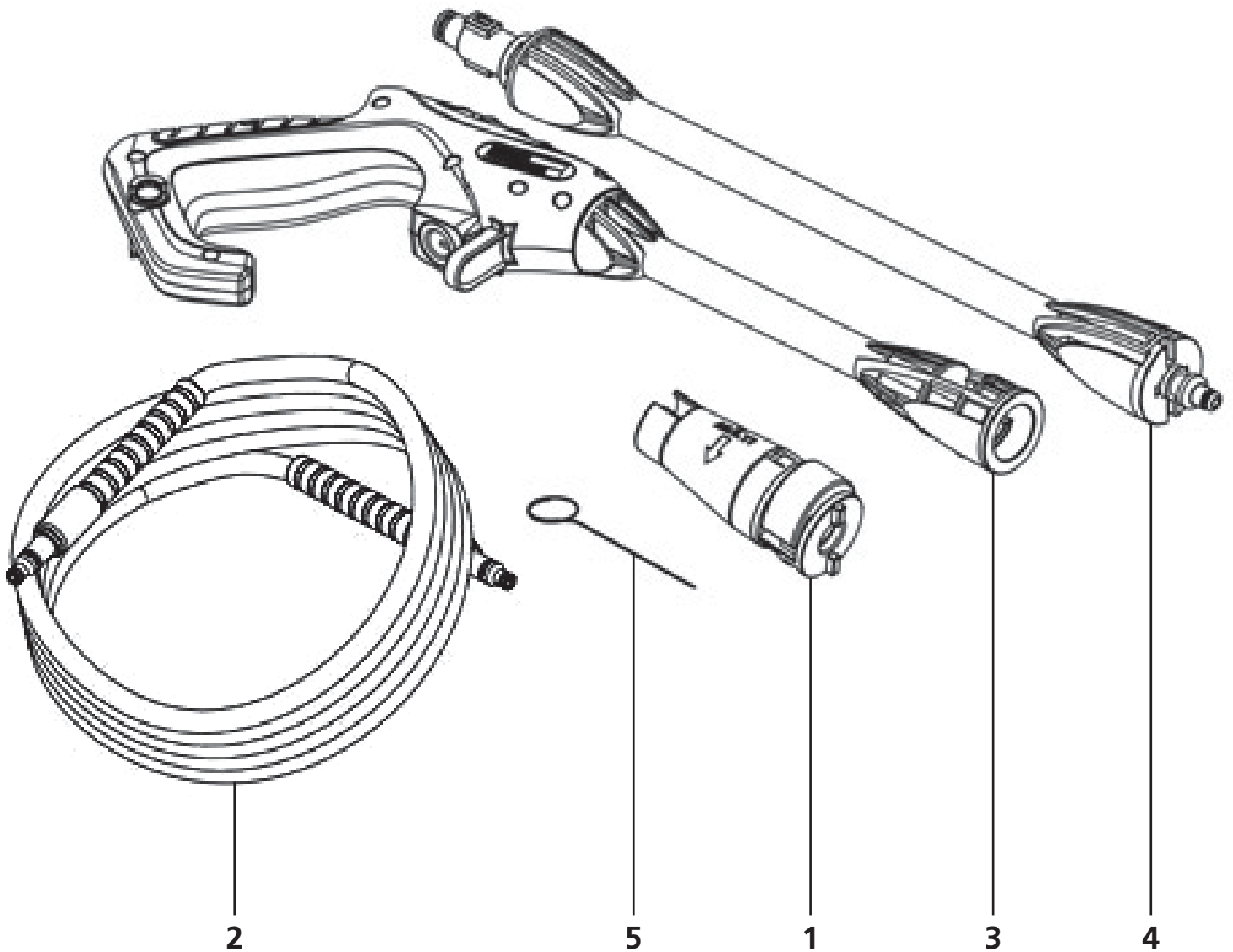




SPARE PARTS LISTING & DRAWING SHEET FOR

# 1500W 230V Pressure Washer

Stock No.83405 Part No.PW1530



KEY No.	PART No.	STOCK No.	DESCRIPTION
1	APW73	83703	Adjustable Fan Nozzle
2	APW80	83710	3m High pressure hose
3	APW83	83713	Trigger

KEY No.	PART No.	STOCK No.	DESCRIPTION
4	APW77	83707	Lance
5	YPW1740-39	85555	Pin for Nozzle

**Helpline:** (023) 8049 4344. **Sales Desk:** (023) 8049 4333. **General Enquiries:** (023) 8026 6355.

DRAPER TOOLS LTD, HURSLEY ROAD, CHANDLER'S FORD, EASTLEIGH, HANTS. SO53 1YF. U.K website: drapertools.com e-mail: sales@drapertools.com

DKKC161115