

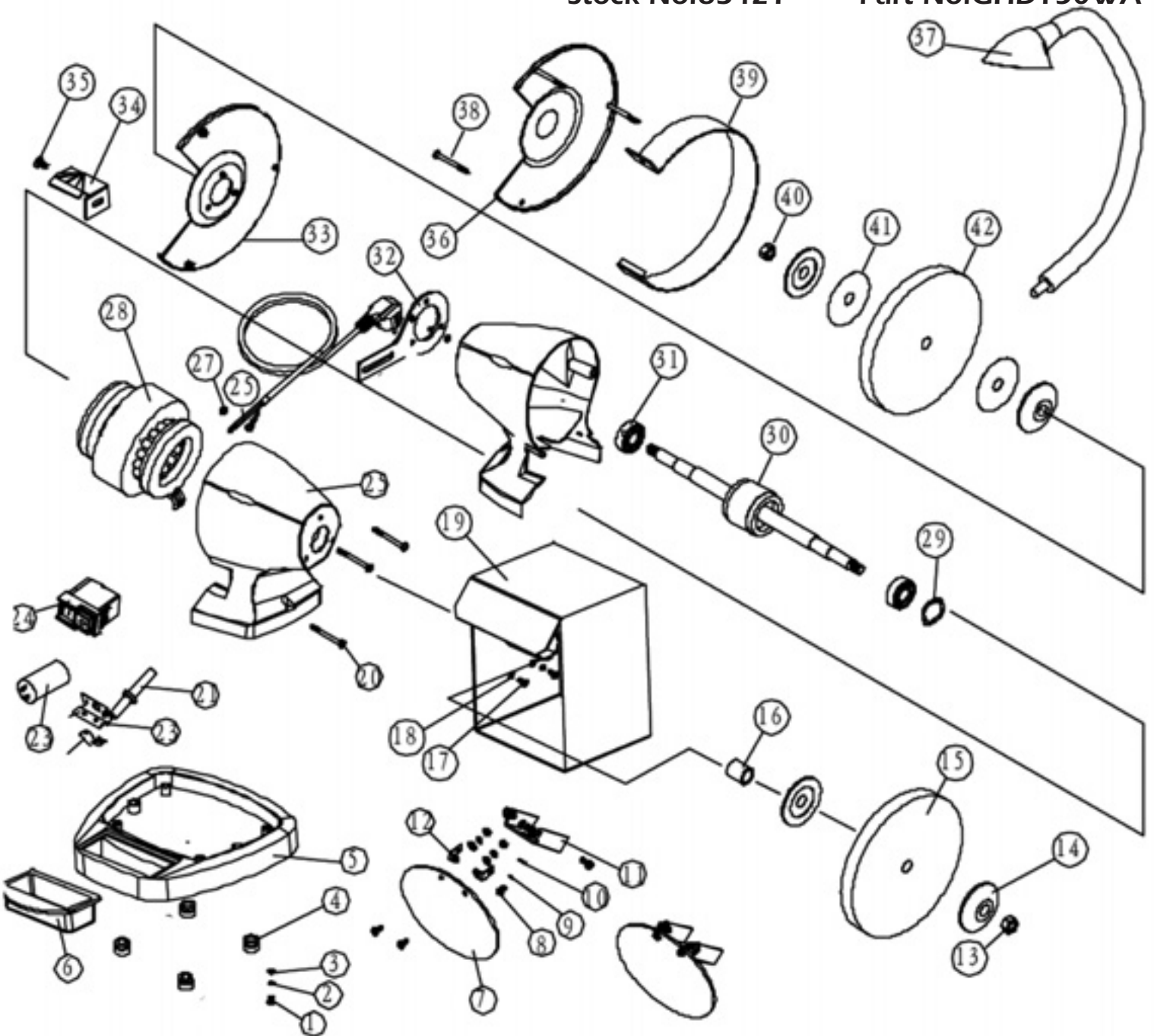


SPARE PARTS DRAWING SHEET FOR

# 150mm Bench Grinder with wire wheel and worklight

Stock No.83421

Part No.GHD150WA



Helpline: (023) 8049 4344. Sales Desk: (023) 8049 4333. General Enquiries: (023) 8026 6355.

DRAPER TOOLS LTD, HURSLEY ROAD, CHANDLER'S FORD, EASTLEIGH, HANTS. SO53 1YF. U.K website: drapertools.com e-mail: sales@drapertools.com

DKKC281015



SPARE PARTS LISTING SHEET FOR

# 150mm Bench Grinder with wire wheel and worklight

Stock No.83421

Part No.GHD150WA

KEY No.	PART No.	STOCK No.	DESCRIPTION
1	YGHD150WA-01	85137	Screw
2	YGHD150WA-02	85138	Spring Washer
3	YGHD150WA-03	85140	Washer
4	YGHD150WA-04	85141	rubber feet
5	YGHD150WA-05	85142	Base
6	YGHD150WA-06	85143	Water Tank
7	YGHD150WA-07	85144	Eyeshield
8	YGHD150WA-08	85145	Screw
9	YGHD150WA-09	85146	Spring Washer
10	YGHD150WA-10	85147	Washer
11	YGHD150WA-11	85148	Eyeshield Bracket
12	YGHD150WA-12	85149	Eyeshield Holder
13	YGHD150WA-13	85150	Nut
14	YGHD150WA-14	85151	Flange
15	YGHD150WA-15	85152	steel wire brush
16	YGHD150WA-16	85153	adpater
17	YGHD150WA-17	85154	Screw
18	YGHD150WA-18	85155	Spring Washer
19	YGHD150WA-19	85156	wire brush cover
20	YGHD150WA-20	85157	Screw
21	YGHD150WA-21	85162	Cord Sleeve

KEY No.	PART No.	STOCK No.	DESCRIPTION
22	YGHD150WA-22	85163	Clamp Bracket
23	YGHD150WA-23	85164	Capacitor
24	YGHD150WA-24	85171	Switch
25	YGHD150WA-25	85172	Motor Cover
26	YGHD150WA-26	85173	Plug and Cable
27	YGHD150WA-27	85174	Tooth Washer
28	YGHD150WA-28	85175	Stator
29	YGHD150WA-29	85177	Ring
30	YGHD150WA-30	85178	Rotor
31	YGHD150WA-31	85179	Bearing
32	YGHD150WA-32	85180	Tool Rest Support
33	YGHD150WA-33	85181	Inner Guard (right)
34	YGHD150WA-34	85183	Tool Rest
35	YGHD150WA-35	85184	Screw
36	YGHD150WA-36	85185	Outer Guard (right)
37	YGHD150WA-37	85186	Lamp
38	YGHD150WA-38	85289	Screw
39	YGHD150WA-39	85290	Ring guard
40	YGHD150WA-40	85291	Nut
41	YGHD150WA-41	85292	Pad
42	YGHD150WA-42	52061	Wheel

**Helpline: (023) 8049 4344. Sales Desk: (023) 8049 4333. General Enquiries: (023) 8026 6355.**

DRAPER TOOLS LTD, HURSLEY ROAD, CHANDLER'S FORD, EASTLEIGH, HANTS. SO53 1YF. U.K website: drapertools.com e-mail: sales@drapertools.com