



DRAPER[®]

3.6V 1/4" HEX.

SCREWDRIVER KIT

83568



These instructions accompanying the product are the original instructions. This document is part of the product, keep it for the life of the product passing it on to any subsequent holder of the product. Read all these instructions before assembling, operating or maintaining this product.

This manual has been compiled by Draper Tools describing the purpose for which the product has been designed, and contains all the necessary information to ensure its correct and safe use. By following all the general safety instructions contained in this manual, it will ensure both product and operator safety, together with longer life of the product itself.

All photographs and drawings in this manual are supplied by Draper Tools to help illustrate the operation of the product.

Whilst every effort has been made to ensure the accuracy of information contained in this manual, the Draper Tools policy of continuous improvement determines the right to make modifications without prior warning.

1. TITLE PAGE

1.1 INTRODUCTION:

USER MANUAL FOR: 3.6V 1/4" Hex. Screwdriver Kit

Stock No: 83568

Part No: CD36LIASF

1.2 REVISIONS:

Date first published July 2018.

As our user manuals are continually updated, users should make sure that they use the very latest version.

Downloads are available from: <http://drapertools.com/manuals>

Draper Tools Limited
Hursley Road
Chandler's Ford
Eastleigh
Hampshire
SO53 1YF
UK

Website: drapertools.com

Product Helpline: +44 (0) 23 8049 4344

General Fax: +44 (0) 23 8026 0784

1.3 UNDERSTANDING THIS MANUALS SAFETY CONTENT:

WARNING! – Information that draws attention to the risk of injury or death.

CAUTION! – Information that draws attention to the risk of damage to the product or surroundings.

1.4 COPYRIGHT © NOTICE:

Copyright © Draper Tools Limited.

Permission is granted to reproduce this publication for personal and educational use only. Commercial copying, redistribution, hiring or lending is prohibited.

No part of this publication may be stored in a retrieval system or transmitted in any other form or means without written permission from Draper Tools Limited.

In all cases this copyright notice must remain intact.

2. CONTENTS

1. TITLE PAGE	
1.1 INTRODUCTION	2
1.2 REVISION HISTORY	2
1.3 UNDERSTANDING THIS MANUAL	2
1.4 COPYRIGHT NOTICE	2
2. CONTENTS	
2.1 CONTENTS.....	3
3. WARRANTY	
3.1 WARRANTY.....	4
4. INTRODUCTION	
4.1 SCOPE.....	5
4.2 SPECIFICATION	5
4.3 HANDLING AND STORAGE.....	5
5. HEALTH AND SAFETY INFORMATION	
5.1 GENERAL SAFETY INSTRUCTIONS FOR POWER TOOL USE	6
5.2 RESIDUAL RISK	7
5.3 SAFETY INSTRUCTIONS FOR BATTERY PACKS/CHARGERS	7
5.4 CONNECTION TO THE POWER SUPPLY (CHARGER)	8
6. TECHNICAL DESCRIPTION	
6.1 IDENTIFICATION	9
7. UNPACKING AND CHECKING	
7.1 PACKAGING	10
7.2 WHAT'S IN THE BOX	10
8. PREPARING THE CORDLESS SCREWDRIVER	
8.1 BATTERY CHARGING.....	11
9. BASIC CORDLESS SCREWDRIVER OPERATIONS	
9.1 FORWARD AND REVERSE ROTATIONAL DRIVE	12
9.2 INSTALLING BITS.....	12
9.3 ADJUSTING THE HANDLE POSITION	12
9.4 LED WORKLIGHT.....	12
10. DISPOSAL	
10.1 DISPOSAL.....	13
10.2 BATTERY PACK DISPOSAL INFORMATION.....	13
11. EXPLANATION OF SYMBOLS	
11.1 EXPLANATION OF SYMBOLS	14
DECLARATION OF CONFORMITY	ENCLOSED

3. WARRANTY

3.1 WARRANTY

Draper tools have been carefully tested and inspected before shipment and are guaranteed to be free from defective materials and workmanship.

Should the tool develop a fault, please return the complete tool to your nearest distributor or contact:

Draper Tools Limited, Chandler's Ford, Eastleigh, Hampshire, SO53 1YF. England.

Telephone Sales Desk: (023) 8049 4333 or:

Product Helpline (023) 8049 4344.

A proof of purchase must be provided.

If upon inspection it is found that the fault occurring is due to defective materials or workmanship, repairs will be carried out free of charge. This warranty period covering labour is 12 months from the date of purchase except where tools are hired out when the warranty period is 90 days from the date of purchase. The warranty is extended to 24 months from the date of purchase for parts only. This warranty does not apply to any consumable parts, any type of battery or normal wear and tear, nor does it cover any damage caused by misuse, careless or unsafe handling, alterations, accidents, or repairs attempted or made by any personnel other than the authorised Draper warranty repair agent.

Note: If the tool is found not to be within the terms of warranty, repairs and carriage charges will be quoted and made accordingly.

This warranty applies in lieu of any other warranty expressed or implied and variations of its terms are not authorised.

Your Draper warranty is not effective unless you can produce upon request a dated receipt or invoice to verify your proof of purchase within the warranty period.

Please note that this warranty is an additional benefit and does not affect your statutory rights.

Draper Tools Limited.



4. INTRODUCTION

4.1 SCOPE

This cordless screwdriver is ideal for applications such as assembling flat pack furniture. It is intended for domestic use only.

As part of our core range, this product is suitable for enthusiasts and tradespeople alike. Any application other than that it was intended for, is considered misuse.

4.2 SPECIFICATION

Stock No:	83568
Part No:	CD36LIASF
Maximum torque	3.5Nm
Revolutions per minute (no load)	180r/min
Spindle recess	1/4" Hex.
Sound pressure level*	64.76(A), K=3db(A)
Sound power level **	75.76(A), K=3db(A)
Vibration level	1.953m/s ² : K=1.5m/s ²
Weight (machine only)	0.75kg
Integral battery pack:	
Type	Lithium-Ion
Rated voltage	3.6V 
Rating	1.3Ah
Transformer/charger:	
Type	Fail-safe Safety Isolating
Rated voltage	230V~
Rated frequency	50Hz
Rated power input	4W
Rated output voltage	5.0V 
Rated output current	300mA

4.3 HANDLING & STORAGE

- Care must be taken when handling this product.
 - Dropping this power tool could have an effect on its accuracy and could also result in personal injury. This product is not a toy and must be respected.
- Environmental conditions can have a detrimental effect on this product if neglected.
 - Exposure to damp air can gradually corrode components.
 - If the product is unprotected from dust and debris, components will become clogged.
 - If not cleaned and maintained correctly or regularly, the machine will not perform at its best.

* *Continuous A-Weighted Sound Pressure Level at the workstation in accordance to prEN ISO 15744:1999 and declared according to EN ISO 4871.*

** *A-Weighted Sound Power Level in accordance to prEN ISO 15744:1999 and declared according to EN ISO 4871.*

5. HEALTH AND SAFETY INFORMATION

5.1 GENERAL SAFETY INSTRUCTIONS FOR POWER TOOL USE

When using any type of power tool there are steps that should be taken to make sure that you, as the user, remain safe.

Common sense and a respect for the tool will help reduce the risk of injury.

Read the instruction manual fully. Do not attempt any operation until you have read and understood this manual.

Most important, you must know how to safely start and stop this machine, especially in an emergency.

Keep the work area tidy and clean. Attempting to clear clutter from around the machine during use will reduce your concentration. Mess on the floor creates a trip hazard. Any liquid spilt on the floor could result in you slipping.

Find a suitable location. If the machine is bench mounted, the location should provide good natural light or artificial lighting as a replacement. Avoid damp and dust locations as it will have a negative effect on the machine's performance. If the machine is portable, do not expose the tool to rain. In all cases do not operate power tools near any flammable materials.

Keep bystanders away. Children, onlookers and passers by must be restricted from entering the work area for their own protection. The barrier must extend a suitable distance from the tool user.

Unplug and house all power tools that are not in use. A power tool should never be left unattended while connected to the power supply. They must be housed in a suitable location away, locked up and from children. This includes battery chargers.

Do not overload or misuse the tool. All tools are designed for a purpose and are limited to what they are capable of doing. Do not attempt to use a power tool (or adapt it in any way) for an application it is not designed for. Select a tool appropriate for the size of the job. Overloading a tool will result in tool failure and user injury. This also covers the use of accessories.

Dress properly. Loose clothing, long hair and jewellery are all dangerous because they can become entangled in moving machinery. This can also result in parts of body being pulled into the machine. Clothing should be close fitted, with any long hair tied back and jewellery and neck ties removed. Footwear must be fully enclosed and have a non-slip sole.

Wear personal protective equipment (PPE). Dust, noise, vibration and swarf can all be dangerous if not suitably protected against. If the work involving the power tool creates dust or fumes, wear a dust mask. Vibration to the hands caused by operating some tools for longer periods must be protected against. Wear vibration reducing gloves and allow long breaks between uses. Protect against dust and swarf by wearing approved safety goggles or a face shield. These are some of the more common hazards and preventions. However, always find out what hazards are associated with the machine/work process and wear the most suitable protective equipment available.

Do not breathe contaminated air. If the work creates dust or fumes, connect the machine (if possible) to an extraction system either locally or remotely. Working outdoors can also help if possible.

Move the machine as instructed. If the machine is hand held, do not carry it by the power supply cable. If the product is heavy, employ a second or third person to help move it safely or use a mechanical device. Always refer to the instructions for the correct method.

Do not overreach. Extending your body too far can result in loss of balance and you falling. This could be from a height or onto a machine and will result in injury.

Maintain your tools correctly. A well maintained tool will do the job safely. Replace any damaged or missing parts immediately with original parts from the manufacturer. As applicable; keep blades sharp, moving parts clean, oiled or greased, handles clean and emergency devices working.

5. HEALTH AND SAFETY INFORMATION

Wait for the machine to stop. Unless the machine is fitted with a safety brake; some parts may continue to move due to momentum. Wait for all parts to stop; then unplug it from the power supply before making any adjustments, carrying out maintenance operations or just finishing using the tool.

Remove and check setting tools. Some machinery requires the use of additional tools or keys to set, load or adjust the power tool. Before starting the power tool always check to make certain they have been removed and are safely away from the machine.

Prevent unintentional starting. Before plugging any machine in to the power supply make sure the switch is in the OFF position. If the machine is portable, do not hold the machine near the switch and take care when putting the machine down that nothing can operate the switch.

Carefully select an extension lead. Some machines are not suitable for use with extension leads. If the tool is designed for use outdoors use an extension lead that is also suitable for that environment. When using an extended lead select one capable of handling the current (amps) drawn by the machine in use. Fully extend the lead regardless of the distance between the power supply and the tool. Excess current (amps) and a coiled extension lead will both cause the cable to heat up and can result in fire.

Concentrate and stay alert. Distractions are likely to cause an accident. Never operate a power tool if you are under the influence of drugs (prescription or otherwise), including alcohol or if you are feeling tired. Being disorientated will result in an accident.

Have this tool repaired by a qualified person. This tool is designed to conform to the relevant international and local standards and as such should be maintained and repaired by someone qualified using only original parts supplied by the manufacturer. This will ensure the tool remains safe to use.

5.2 RESIDUAL RISK

Important note: Although the safety instructions and operating manuals for our tools contain extensive instructions of safe working with power tools, every power tool involves a certain residual risk which can not be completely excluded by safety mechanisms. Power tools must therefore always be operated with caution!

5.3 SAFETY INSTRUCTIONS FOR BATTERY PACKS/CHARGERS

1. The charger is for indoor use only.
2. Prior to plugging the charger into the supply, check that the plug and the cable are in good repair. If either are damaged, have the defective item replaced immediately by a suitably qualified person. If the casing of the battery charger is damaged, it is good policy to have the charger checked over by a suitably qualified person.
3. Only use a correctly rated mains outlet to provide power. Do not plug into site generators, engine generators or D.C. sources. Do not use a mains socket outlet that is not switched.
4. Only use the charger that is supplied.
5. Set up the charger in a safe place where the cable won't be knocked, tripped over, stepped on, etc., and where it is well ventilated. Make sure the ventilation slots in the charger case are not obstructed.
6. Before charging the battery, read the instructions.
7. Do not charge any other product with the charger. Any other application is considered misuse.
8. The battery must be removed from the appliance before it is recycled.
9. The product must only be charged by the designated Draper charger supplied with the product.

5. HEALTH AND SAFETY INFORMATION

5.4 CONNECTION TO THE POWER SUPPLY (CHARGER)


Make sure the power supply information on the machine's rating plate are compatible with the power supply you intend to connect it to.

This charger comes supplied with a UK standard 3 pin plug. It is designed for connection to a domestic power supply rated at 230V AC.

This charger is Class II† and is designed for connection to a power supply matching that detailed on the rating label and compatible with the plug fitted.

If an extension lead is required, use an approved and compatible lead rated for this appliance.

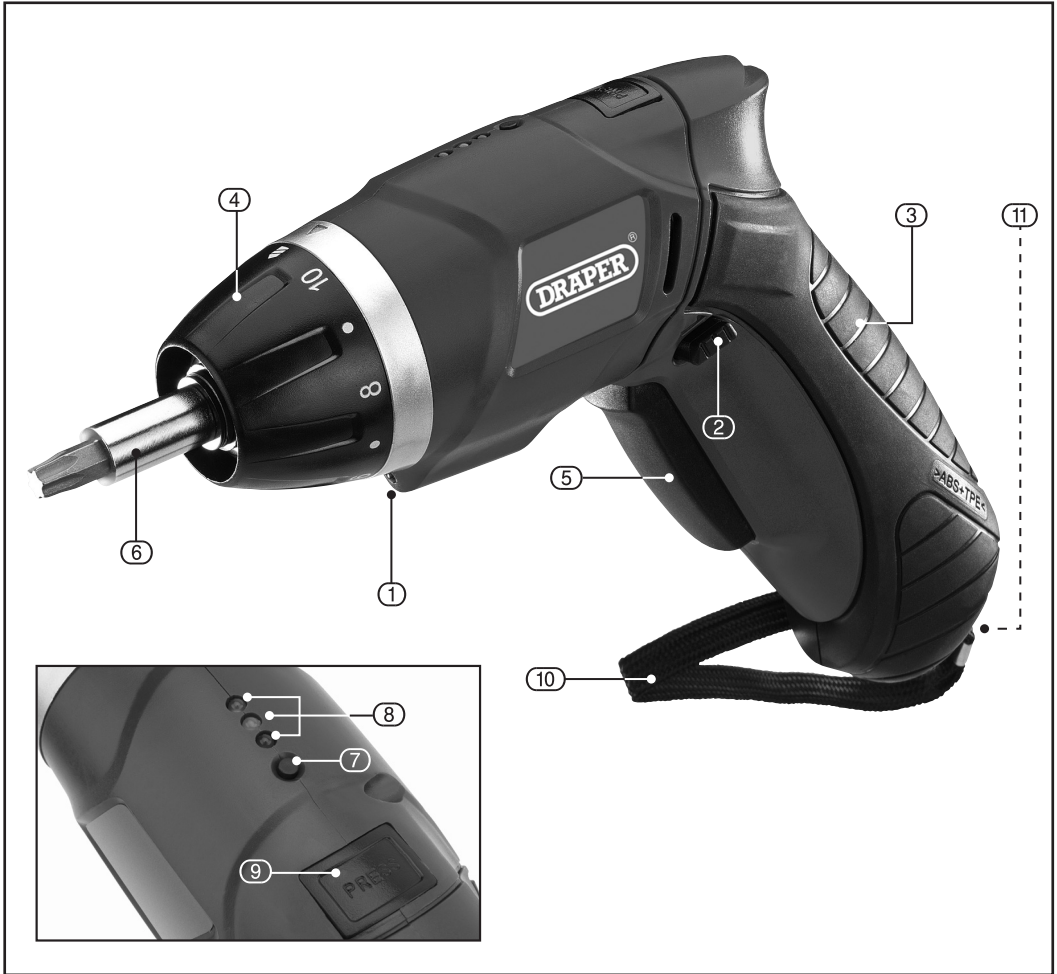
Follow all the instructions supplied with the extension lead. If using an extension lead, follow the instructions that came with your lead regarding maximum load while cable is wound, if in doubt ensure that the entire cable is unwound. Using a coiled extension lead will generate heat which could melt the lead and cause a fire.

†Double insulated : This product requires no earth connection as supplementary insulation is applied to the basic insulation to protect against electric shock in the event of failure of the basic insulation.

Apart from replacing the fuse in the plug, no other electrical work is recommended on this product.

6. TECHNICAL DESCRIPTION

6.1 IDENTIFICATION



- ① LED work light.
- ② Forward/reverse selector.
- ③ Soft grip.
- ④ Torque selector.
- ⑤ Trigger switch.
- ⑥ 1/4" Hex. drive.
- ⑦ Battery charge level test button.
- ⑧ Battery charge level indicator lights.
- ⑨ Handle release button.
- ⑩ Carry strap.
- ⑪ Charger connection socket (female).

7. UNPACKING AND CHECKING

7.1 PACKAGING

Carefully remove the screwdriver from the packaging and examine it for any sign of damage that may have happened during shipping. Lay the contents out and check them against the parts shown below. If any part is damaged or missing; please contact the Draper Help Line (the telephone number appears on the Title page) and do not attempt to use the product.

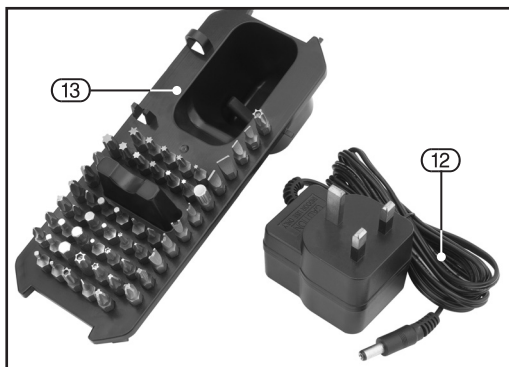
The packaging material should be retained at least during the guarantee period: in case the machine needs to be returned for repair.

Warning! Some of the packaging materials used may be harmful to children. Do not leave any of these materials in the reach of children.

If any of the packaging is to be thrown away, make sure they are disposed of correctly; according to local regulations.

7.2 WHAT'S IN THE BOX

As well as the screwdriver; there are several parts not fitted or attached to it.



(12) Transformer/charger.

(13) Case inlay with storage, containing the following assorted screwdriver bits:

- 5 x 25mm long x 1/4" hexagon drive plain slot screwdriver bits sizes; 3.0, 4.0, 5.0, 6.0, 7.0mm.
 - 4 x 25mm long x 1/4" hexagon drive cross slot screwdriver bits sizes; No.0, No.1, No.2, No.3.
 - 4 x 25mm long x 1/4" hexagon drive PZ TYPE screwdriver bits sizes; No.0, No.1, No.2, No.3.
 - 6 x 25mm long x 1/4" hexagon drive Draper TX-STAR screwdriver bits sizes; T10, T15, T20, T25, T30, T40.
 - 7 x 25mm long x 1/4" hexagon drive Draper TX-STAR security bits sizes; T10, T15, T20, T25, T30, T35, T40.
 - 7 x 25mm long x 1/4" hexagon drive hex. screwdriver bits sizes; 2.0, 2.5, 3.0, 4.0, 5.0, 5.5, 6.0mm.
- 5 x 25mm long x 1/4" hexagon drive IP screwdriver bits sizes; IP10, IP15, IP20, IP25, IP30.
 - 3 x 25mm long x 1/4" hexagon drive torq screwdriver bits sizes; 6.0, 8.0, 10.0mm.
 - 4 x 25mm long x 1/4" hexagon drive tri-winged screwdriver bits sizes; No.1, No.2, No.3, No.4.
 - 4 x 25mm long x 1/4" hexagon drive square screwdriver bits sizes; S0, S1, S2, S3.
 - 4 x 25mm long x 1/4" hexagon drive spanner screwdriver bits sizes; No.4, No.6, No.8, No.10.
 - 1 x 25mm long x 1/4" hexagon drive XZN screwdriver bit size; M8.
 - 1 x 1/4" hexagon drive x 1/4" hexagon magnetic bit holder.

8. PREPARING THE CORDLESS SCREWDRIVER

8.1 BATTERY CHARGING – FIGS. 1 – 2

- i Insert the transformer/charger's jack plug (12.1) into the charger connection socket (11).
- ii Plug the transformer/charger (11) into a 230V~13 amp 3 pin socket.

Note: over the course of the full charging cycle (approximately 3–5 hours), the battery charge level indicator lights (8) will progressively illuminate red through to green, indicating low to full charge accordingly.

Before or during use, press the battery level test button (7) to assess the charge level of the screwdriver's battery.

- The battery charge level LED indicator lights (8) illuminate red (battery urgently requires re-charging), through red/amber (medium charge), to green (fully charged).
- Lithium-ion cells prefer small charges often.
- Lithium-ion technology is lightweight and compact due to increased capacity in comparison to other battery chemistries.
- Lithium-ion cells have no 'memory effect' and a long life cycle with outstanding discharge performance.
- Lithium-ion cells suffer from a loss in capacity or thermal runaway if over charged and will degrade if allowed to enter deep discharge, however all of these situations are negated due to the complex circuitry incorporated within this product.
- Charging must be carried out in an environment with an ambient air temperature between 5°C to 45°C with the transformer/charger supplied.

To prevent overheating, do not cover the transformer/charger.

Warning! If the cable is damaged or the non-self-resetting protective device is activated due to short circuit/overload, the transformer/charger shall be scrapped. A replacement of identical specification, design and application shall be obtained.

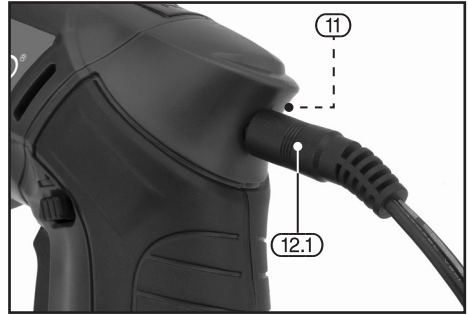


FIG.1

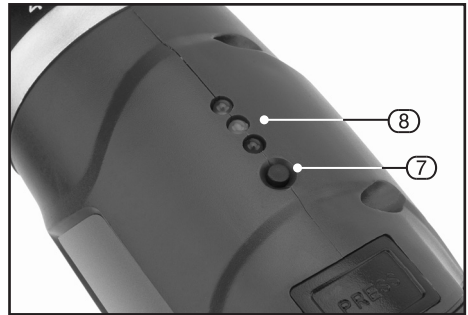


FIG.2

9. BASIC CORDLESS SCREWDRIVER OPERATIONS

9.1 FORWARD AND REVERSE ROTATIONAL DRIVE – FIG. 3

To activate the screwdriver, press trigger (5).
To change direction of rotation of the bit holder, i.e. clockwise or anticlockwise.

- i Stop the screwdriver and push switch (2).
When the direction switch is pushed to the left, the bit holder will rotate clockwise.
When the switch is pushed to the right, the bit holder will rotate anticlockwise. Before operation, check that the switch is set in the required position. Do not change the direction of rotation until the bit holder comes to a complete stop.
- ii When the screwdriver is not in use move the direction switch to the neutral position (the middle setting) to lock the trigger out.

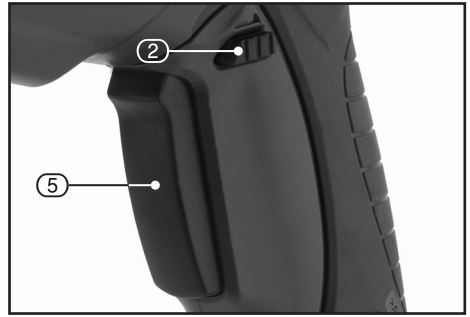


FIG.3

9.2 INSTALLING BITS – FIG. 4

Insert the appropriate bit, suitable for the intended application, into the 1/4" hex. drive (6).

Note: Will accept 6.35mm (1/4") hex. bits only.

To prevent slip or damage to the screw head, match the screwdriver bit to the head size and pattern.

Screwdriver bits are a consumable item.

Replace a worn screwdriver bit to avoid damaging the screw head or slipping out when driving.

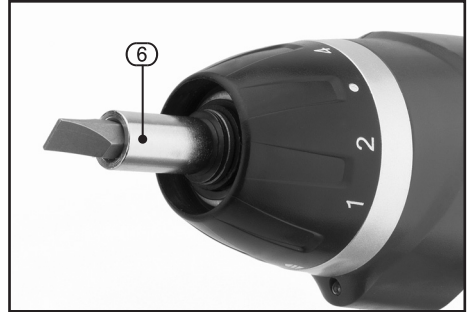


FIG.4

9.3 ADJUSTING THE HANDLE POSITION – FIG. 5

In addition to the general pistol grip function, the screwdriver also incorporates a twist grip facility that doubles its use as a general in line screwdriver, useful for screwdriving in areas with awkward access.

- To change the handle position, press the handle release button (9) and twist the handle (3) through 180° until it clicks into position.

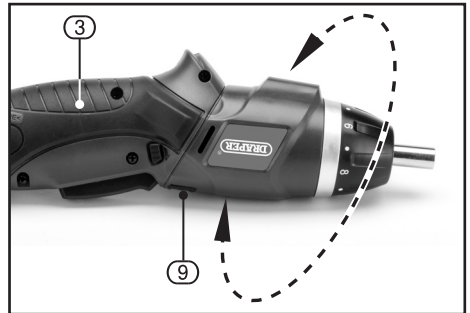


FIG.5

9.4 LED WORKLIGHT – FIG.6

The cordless screwdriver has an LED worklight (1) that operates every time the trigger switch is pressed. This can be a useful aid when working in low level light conditions.

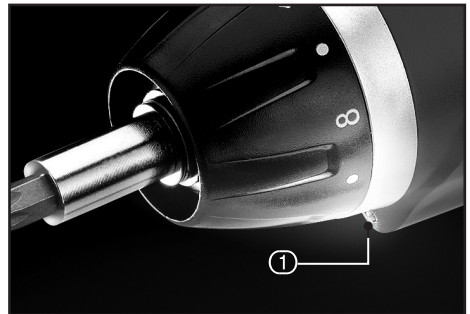


FIG.6

10. DISPOSAL

10.1 DISPOSAL

- At the end of the machine's working life, or when it can no longer be repaired, ensure that it is disposed of according to national regulations.
- Contact your local authority for details of collection schemes in your area.

In all circumstances:

- Do not dispose of power tools with domestic waste.
- Do not incinerate.
- Do not dispose of WEEE* as unsorted municipal waste.



Li-ion

* Waste Electrical & Electronic Equipment.

10.2 BATTERY PACK DISPOSAL INFORMATION

Warning!

- Do not put battery pack in fire or mutilate – cells may burst or release toxic materials.
- Do not short circuit cells, may cause burns.
- The battery pack must be removed from the appliance before it is scrapped.
- The battery pack is to be disposed of safely.
- Do not mutilate batteries, corrosive electrolyte will be released.
- Do not dispose of batteries or cells in a charged condition.

Expired batteries must be recycled/disposed of in accordance with the appropriate regulation or legislation. They should be returned to your local warranty agent/stockist.

11. EXPLANATION OF SYMBOLS

11.1 EXPLANATION OF SYMBOLS



Read the instruction manual.



Do not abandon into the environment.



Keep out of the reach of children.



Warning!



Class II construction
(Double insulated).



WEEE –
Waste Electrical &
Electronic Equipment.
*Do not dispose of Waste Electrical
& Electronic Equipment in with
domestic rubbish.*



Lithium-ion product.

Li-ion



Do not incinerate or
throw onto fire.



For indoor use only.
Do not expose to rain.



Short-circuit-proof safety
isolating transformer

F



Fuse.



Polarity indication.



Rated voltage.

NOTES

CONTACTS

Draper Tools Limited, Hursley Road,
Chandler's Ford, Eastleigh, Hampshire. SO53 1YF. U.K.

Helpline: (023) 8049 4344

Sales Desk: (023) 8049 4333

Internet: drapertools.com

E-mail: sales@drapertools.com

General Enquiries: (023) 8026 6355

Service/Warranty Repair Agent:

For aftersales servicing or warranty repairs, please contact the
Draper Tools Helpline for details of an agent in your local area.

YOUR DRAPER STOCKIST

TACH0718

©Published by Draper Tools Limited.

No part of this publication may be reproduced, stored in a retrieval system or transmitted in any form or by any means, electronic, mechanical photocopying, recording or otherwise without prior permission in writing from Draper Tools Ltd.