

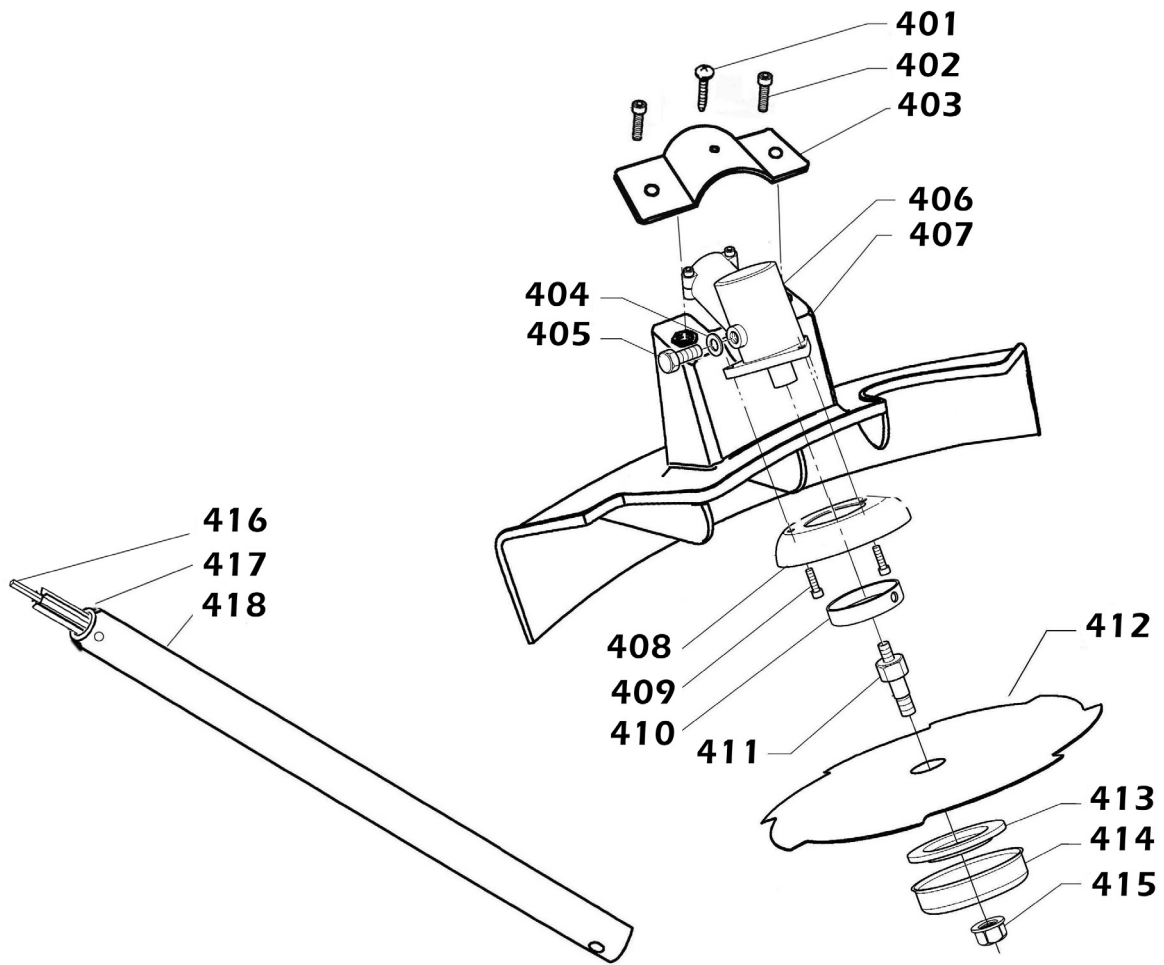


SPARE PARTS LISTING & DRAWING SHEET FOR

Brush Cutting Attachment

Stock No. 14161

Part No. GTA1



KEY No.	PART No.	STOCK No.	DESCRIPTION
401	YGTP26-401	21201	Self tapping screw
402	YGTP26-402	21202	Socket headed bolt
403	YGTP26-403	21204	Bracket
404	YGTP26-404	21205	Washer
405	YGTP26-405	21206	Screw
406	YGTP26-406	21207	Gear housing assembly
407	YGTP26-407	21209	Guard
408	YGTP26-408	21210	Upper flange
409	YGTP26-409	21211	Screw

KEY No.	PART No.	STOCK No.	DESCRIPTION
410	YGTP26-410	21212	Collar
411	YGTP26-411	21213	Spindle
412	GTA7	19996	Blade
413	YGTP26-413	21215	Lower flange
414	YGTP26-414	21217	Flange guard
415	YGTP26-415	21218	Nut
416	YGTP26-416	21219	Drive shaft
417	YGTP26-417	21220	Plastic support
418	YGTP26-418	21221	Upper tube

Helpline: (023) 8049 4344. Sales Desk: (023) 8049 4333. General Enquiries: (023) 8026 6355.

DRAPER TOOLS LTD, HURSLEY ROAD, CHANDLER'S FORD, EASTLEIGH, HANTS. SO53 1YF. U.K. internet: www.draper.co.uk e-mail: sales@drapertools.com