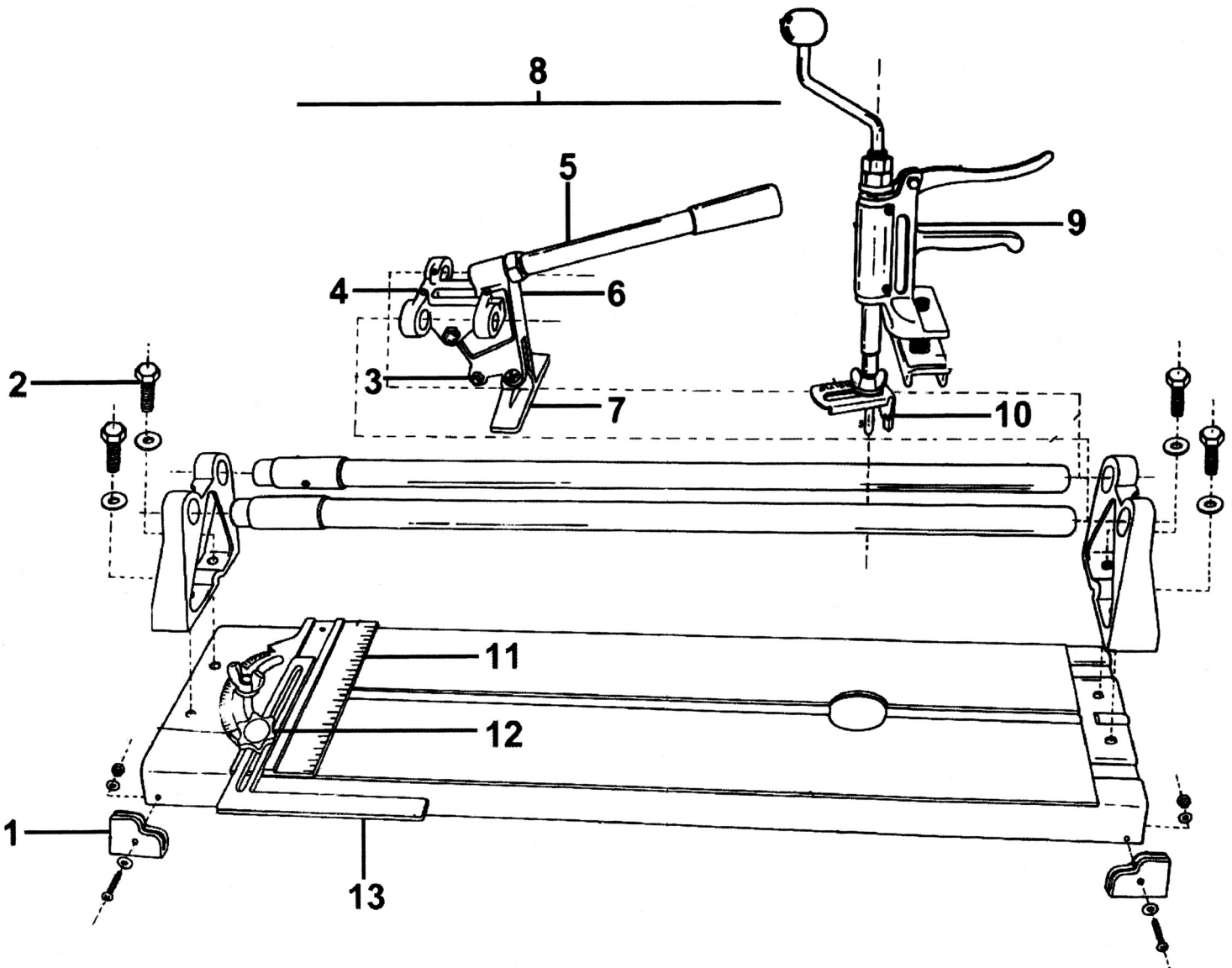




SPARE PARTS LISTING & DRAWING SHEET FOR
Tile Cutting Machine

Stock No.24693 Part No.TCM3



| KEY No. | PART No. | STOCK No. | DESCRIPTION |
|---------|----------|-----------|-----------------|
| 1 | YTCM3-01 | 35404 | Foot kit. |
| 2 | YTCM3-02 | 30019 | Fixing kit. |
| 3 | YTCM3-03 | 25540 | Cutting wheel. |
| 4 | YTCM3-04 | 33088 | Slider bracket. |
| 5 | YTCM3-05 | 33076 | Handle. |
| 6 | YTCM3-06 | 33077 | Handle bracket. |
| 7 | YTCM3-07 | 30866 | "V" foot. |

| KEY No. | PART No. | STOCK No. | DESCRIPTION |
|---------|----------|-----------|--|
| 8 | YTCM3-08 | 35400 | Cutter assembly (without cutting wheel). |
| 9 | YTCM3-09 | 35406 | Drill assembly. |
| 10 | YTCM3-10 | 25539 | Hole cutter with pilot drill. |
| 11 | YTCM3-11 | 35403 | Scale. |
| 12 | YTCM3-12 | 35408 | Locking bolt kit. |
| 13 | YTCM3-13 | 35402 | Square. |

Helpline: (023) 8049 4344. Sales Desk: (023) 8049 4333. General Enquiries: (023) 8026 6355.

DRAPER TOOLS LTD, HURSLEY ROAD, CHANDLER'S FORD, EASTLEIGH, HANTS. SO53 1YF U.K. internet: www.draper.co.uk e-mail: sales@drapertools.com