



Stainless Steel Digital Tyre Depth Gauge

Stock No.39591

Part No.TG2

INSTRUCTIONS

07/2010



SPECIFICATION

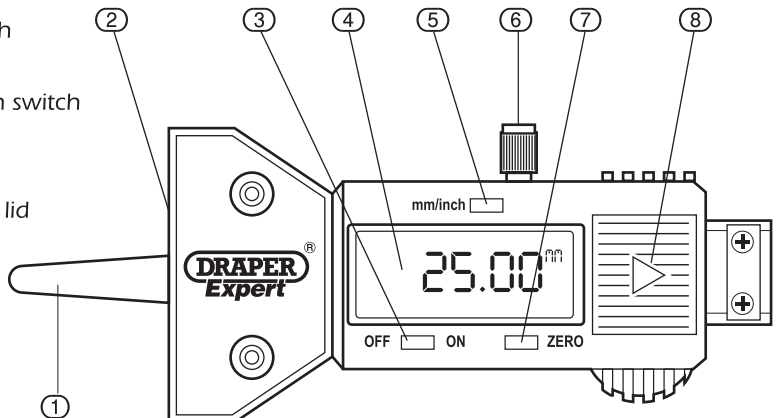
The Draper Tools policy of continuous improvement determines the right to change specification without notice.

Measuring range.....	0-25mm/0-1"
Resolution.....	0.01 mm/0.0005"
Accuracy.....	≤0.05mm/0.002"
Measuring system	Linear capacitive measuring system
Display.....	LCD display
Power.....	1.5V SR44/LR44
Working temperature	5°C – 40°C
Influence of humidity.....	Not important under 80% of relative humidity



GETTING TO KNOW YOUR DEPTH GAUGE

- ① Slide beam
- ② Measuring Face
- ③ Power ON/OFF switch
- ④ Display (LCD)
- ⑤ Inch / mm conversion switch
- ⑥ Slider clamp screw
- ⑦ ZERO switch
- ⑧ Battery compartment lid



1. Preparation:

- Slide beam can be removed only after the locking screw (A) is loosened.
- Wipe clean all the measuring faces and slide beam surface. No organic solutions must be used.
- Check to see if all the buttons and the LCD display are fully functioning.

2. Measuring Method:

- With the gauge switched on, place measuring face on a flat hard surface and press the depth bar downward.
 - Set the display to zero by pressing the "zero" button.
 - Place gauge over trough on tyre tread and gently press depth bar downward until contact is made. The display will show the measurement.
- NOTE: A flashing display will indicate a low battery which should be replaced as soon as possible

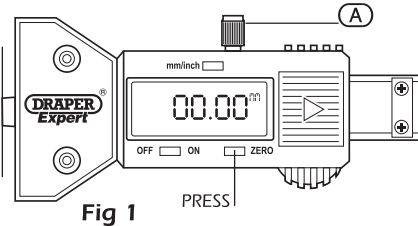


Fig 1

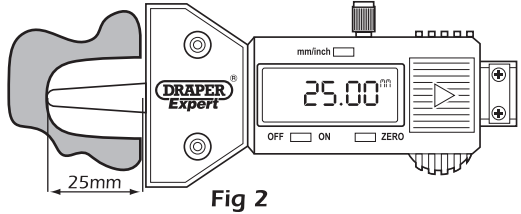
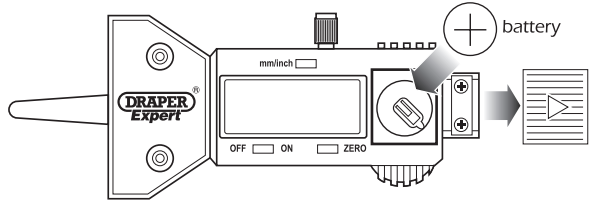


Fig 2

Flashing display indicates a low battery. Slide off the battery cover in the direction shown by the arrow and replace the battery (positive side facing out).



- Keep the gauge clean and dry (liquid can damage the gauge).
- Faces should be cleaned gently with cotton fabrics. Never use petrol, acetone or other organic solutions.
- In order to save power, turn off the unit when not in use for a period of time.

- At the end of the machine's working life, or when it can no longer be repaired, ensure that it is disposed of according to national regulations.
- Contact your local authority for details of collection schemes in your area.

In all circumstances:

- Do not dispose of power tools with domestic waste.
- Do not incinerate.
- Do not abandon in the environment.
- Do not dispose of WEEE* as unsorted municipal waste.*



* Waste Electrical & Electronic Equipment.

FAILURE	CAUSE	ACTION	FAILURE	CAUSE	ACTION
Five digits flash simultaneously, about once per second.	Battery voltage lower than 1.45V.	Replace the battery.	Less accurate than specified but within ± 0.1 mm.	Dirt in the sensor.	Remove slider cover and its assembly, clean with compressed air (Max 30psi/2bar).
Display doesn't change when the slider is moved.	Measurement circuit stalled.	Remove battery and replace after 30 sec.	No display on LCD.	1. Battery in poor contact. 2. Battery Voltage under 1.4V.	1. Remove battery cover and gently clean the battery seat, ensuring a good connection. 2. Replace battery.