

DRAPER®

INSTRUCTIONS FOR 1,2,3,5 tonne Beam Clamps

Stock No.48344
48346
48347
48348

Part No.BC1000
BC2000
BC3000
BC5000

IMPORTANT: PLEASE READ THESE INSTRUCTIONS CAREFULLY TO ENSURE THE SAFE AND EFFECTIVE USE OF THIS PRODUCT.



1 tonne Beam Clamp shown.

DRAPER®

GENERAL INFORMATION

Read all these instructions before operating this product and save these instructions.

This manual has been compiled by Draper Tools and is an integrated part of the product with which it is enclosed and should be kept with it for future references.

This manual describes the purpose for which the product has been designed and contains all the necessary information to ensure its correct and safe use. We recommend that this manual is read before any operation or, before performing any kind of adjustment to the product and prior to any maintenance tasks. By following all the general safety instructions contained in this manual, it will ensure both product and operator safety, together with longer life of the product itself.

All photographs and drawings in this manual are supplied by Draper Tools to help illustrate the operation of the product.

Whilst every effort has been made to ensure accuracy of information contained in this manual, the Draper Tools policy of continuous improvement determines the right to make modifications without prior warning.



CONTENTS

Contents/Guarantee 1

Specification..... 2

Getting to know your beam clamp 3

Inspection 4

Operation instructions 4

Maintenance 4

Declaration Enclosed



GUARANTEE

Draper tools have been carefully tested and inspected before shipment and are guaranteed to be free from defective materials and workmanship.

Should the tool develop a fault, please return the complete tool to your nearest distributor or contact Draper Tools Limited, Chandler's Ford, Eastleigh, Hampshire, SO53 1YF, England. Telephone Sales Desk: (023) 8049 4333 or Product Helpline (023) 8049 4344.

A proof of purchase must be provided with the tool.

If upon inspection it is found that a fault occurring is due to defective materials or workmanship, repairs will be carried out free of charge. The guarantee period covering parts/labour is 12 months from the date of purchase. The guarantee is extended to 24 months for parts only. This guarantee does not apply to normal wear and tear, nor does it cover any damage caused by misuse, careless or unsafe handling, alterations, accidents, or repairs attempted or made by any personnel other than the authorised Draper warranty repair agents.

Note: If the tool is found not to be within the Terms of Warranty, repair and carriage charges will be quoted and made accordingly.

This guarantee applies in lieu of any other guarantee expressed or implied and variations of its terms are not authorised.

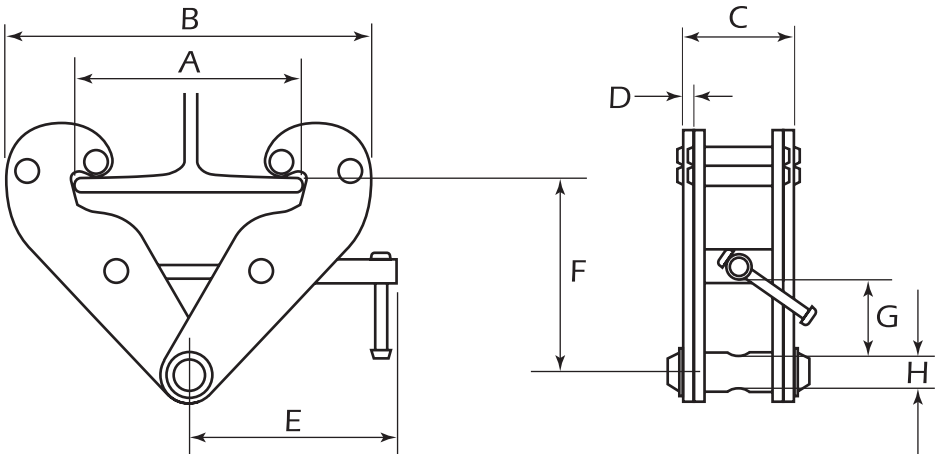
Your Draper guarantee is not effective unless you can produce upon request a dated receipt or invoice to verify your proof of purchase within the guarantee period.

Please note that this guarantee is an additional benefit and does not affect your statutory rights.

Draper Tools Limited.

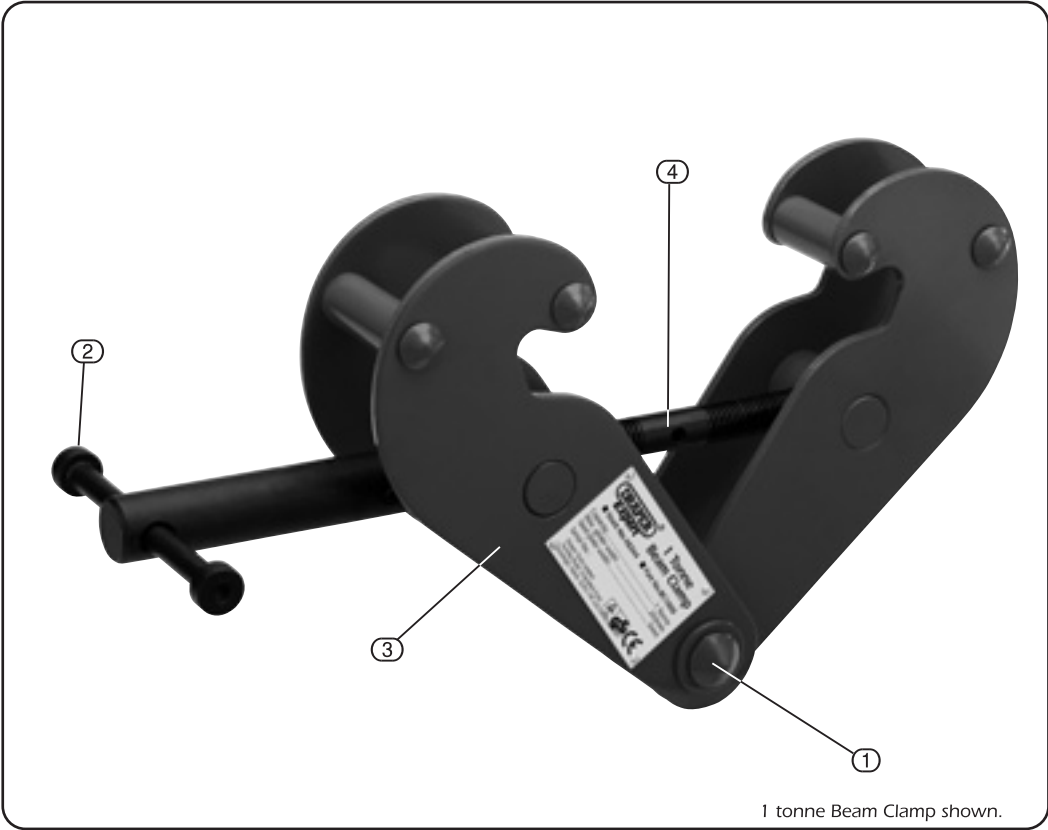
Note: This tool is intended for domestic use only.

Stock No.	Part No.	Safe Working Load (S.W.L.) kg	Adjustable beam width mm	A max. mm	B		C mm	D mm	E mm	F		G mm	H mm
					min. mm	max. mm				min. mm	max. mm		
48344	BC1000	1000	75 - 220	260	180	360	64	5	215	102	155	25	22
48346	BC2000	2000	75 - 220	260	180	360	74	6	215	102	155	25	22
48347	BC3000	3000	80 - 320	354	235	490	103	8	260	140	125	45	24
48348	BC5000	5000	80 - 320	354	235	490	110	10	260	140	125	45	28



FAILURE TO FOLLOW THESE INSTRUCTIONS COULD RESULT IN LOSS OF LOAD AND/OR PERSONAL INJURY OR DAMAGE TO PROPERTY.

- Ensure you inspect the clamp before every use.
- Do not use a defective clamp.
- Ensure the beam is adequate for the load which is to be lifted.
- Never side lift using a beam clamp.
- Before each use ensure the clamp is correctly positioned and tightened.
- Never use a beam clamp in wet or corrosive conditions.



① Load pin.

② Handle.

③ Clamp jaws.

④ Lead screw.

- **UNPACKING:** After removing the packing material, make sure the product is in perfect condition and that there are no visible damaged parts. If in doubt, do not use the product and contact the dealer from whom it was purchased.

The packaging materials (plastic bags, polystyrene, etc.), must be disposed of in an appropriate refuse collection container. These materials must not be left within the reach of children as they are potential sources of danger.

INSPECTION

- Ensure you inspect the clamp before every use.
- DO NOT USE if any of the following defects are found on inspection.
 - Distortion of any point.
 - Cracks.
 - Corrosion.
 - Dents.
 - Wear of the lead screw.
 - Insecure fixings.
 - Illegible markings

OPERATING INSTRUCTIONS

- Ensure the beam is adequate for the load which is to be lifted.
- Ensure you inspect the clamp before every use.

Position the clamp correctly from a secure beam tighten the clamp by hand only, do not use excessive force to tighten the clamp. Ensure that the clamp is fitted over the centre of gravity of the item which is to be lifted. This will ensure the clamp is not subject to side loads. Before lifting a load ensure that the clamp has been tightened and that the lifting appliance is fitted correctly.

MAINTENANCE

Beam clamps should be cleaned and moving parts lubricated at appropriate intervals.

- **DRAPER TOOLS LIMITED,**
Hursley Road, Chandler's Ford,
Eastleigh, Hampshire. SO53 1YF. U.K.

- **Helpline:** (023) 8049 4344
- **Sales Desk:** (023) 8049 4333
- **Internet:** www.draper.co.uk
- **E-mail:** sales@drapertools.com
- **Sales Fax:** (023) 8049 4209
- **General Enquiries:** (023) 8026 6355

- **Service/Warranty Repair Agent**
For aftersales servicing or warranty repairs, please
contact the Draper Tools Helpline for details of an
agent in your local area.

YOUR DRAPER STOCKIST

RWMC160708