



**DRAPER**<sup>®</sup>

65 & 90 LITRE

# OIL DRAINERS

66240/66241



These instructions accompanying the product are the original instructions. This document is part of the product, keep it for the life of the product passing it on to any subsequent holder of the product. Read all these instructions before assembling, operating or maintaining this product.

This manual has been compiled by Draper Tools describing the purpose for which the product has been designed, and contains all the necessary information to ensure its correct and safe use. By following all the general safety instructions contained in this manual, it will ensure both product and operator safety, together with longer life of the product itself.

All photographs and drawings in this manual are supplied by Draper Tools to help illustrate the operation of the product.

Whilst every effort has been made to ensure the accuracy of information contained in this manual, the Draper Tools policy of continuous improvement determines the right to make modifications without prior warning.

# 1. TITLE PAGE

---

## 1.1 INTRODUCTION:

**USER MANUAL FOR: 65L & 90L Oil Drainers**

**Stock No's: 66240/66241**

**Part No's: OD65A/OD90A**

## 1.2 REVISIONS:

---

**Date first published June 2017.**

---

---

---

---

As our user manuals are continually updated, users should make sure that they use the very latest version.

**Downloads are available from:** <http://drapertools.com/manuals>

Draper Tools Limited

Hursley Road

Chandler's Ford

Eastleigh

Hampshire

SO53 1YF

UK

**Website:** [drapertools.com](http://drapertools.com)

**Product Helpline:** +44 (0) 23 8049 4344

**General Fax:** +44 (0) 23 8026 0784

## 1.3 UNDERSTANDING THIS MANUALS SAFETY CONTENT:

**WARNING!** – Information that draws attention to the risk of injury or death.

**CAUTION!** – Information that draws attention to the risk of damage to the product or surroundings.

## 1.4 COPYRIGHT © NOTICE:

Copyright © Draper Tools Limited.

Permission is granted to reproduce this publication for personal and educational use only. Commercial copying, redistribution, hiring or lending is prohibited.

No part of this publication may be stored in a retrieval system or transmitted in any other form or means without written permission from Draper Tools Limited.

In all cases this copyright notice must remain intact.

---

## 2. CONTENTS

---

<b>1. TITLE PAGE</b>	
1.1 INTRODUCTION.....	2
1.2 REVISION HISTORY .....	2
1.3 UNDERSTANDING THIS MANUAL .....	2
1.4 COPYRIGHT NOTICE .....	2
<b>2. CONTENTS</b>	
2.1 CONTENTS .....	3
<b>3. GUARANTEE</b>	
3.1 GUARANTEE .....	4
<b>4. INTRODUCTION</b>	
4.1 SCOPE.....	5
4.2 SPECIFICATION .....	5
4.3 HANDLING AND STORAGE.....	5
<b>5. HEALTH AND SAFETY INFORMATION</b>	
5.1 GENERAL SAFETY INSTRUCTIONS .....	6
5.2 ADDITIONAL SAFETY INSTRUCTIONS .....	7
<b>6. TECHNICAL DESCRIPTION</b>	
6.1 IDENTIFICATION .....	8
<b>7. UNPACKING AND CHECKING</b>	
7.1 PACKAGING .....	9
7.2 WHAT'S IN THE BOX? .....	9
<b>8. ASSEMBLING THE OIL DRAINER</b>	
8.1 ASSEMBLY .....	10
<b>9. OIL DRAINER INSTRUCTION</b>	
9.1 COLLECTING WASTE OIL.....	11
9.2 SETTING OIL SUCTION.....	11
9.3 DRAINING THE RESERVOIR.....	11
<b>10. MAINTENANCE</b>	
10.1 MAINTENANCE .....	12
<b>11. DISPOSAL</b>	
11.1 DISPOSAL.....	13
<b>DECLARATION OF CONFORMITY .....</b>	<b>ENCLOSED</b>

# 3. GUARANTEE

---

## 3.1 GUARANTEE

Draper tools have been carefully tested and inspected before shipment and are guaranteed to be free from defective materials and workmanship.

Should the tool develop a fault, please return the complete tool to your nearest distributor or contact:

**Draper Tools Limited, Chandler's Ford, Eastleigh, Hampshire, SO53 1YF. England.**

**Telephone Sales Desk: (023) 8049 4333** or:

**Product Helpline (023) 8049 4344.**

A proof of purchase must be provided.

If upon inspection it is found that the fault occurring is due to defective materials or workmanship, repairs will be carried out free of charge. This guarantee period covering parts/labour is 12 months from the date of purchase except where tools are hired out when the guarantee period is ninety days from the date of purchase. This guarantee does not apply to normal wear and tear, nor does it cover any damage caused by misuse, careless or unsafe handling, alterations, accidents, or repairs attempted or made by any personnel other than the authorised Draper warranty repair agent.

Note: If the tool is found not to be within the terms of warranty, repairs and carriage charges will be quoted and made accordingly.

This guarantee applies in lieu of any other guarantee expressed or implied and variations of its terms are not authorised.

Your Draper guarantee is not effective unless you can produce upon request a dated receipt or invoice to verify your proof of purchase within the guarantee period.

Please note that this guarantee is an additional benefit and does not affect your statutory rights.

**Draper Tools Limited.**

# 4. INTRODUCTION

---

## 4.1 SCOPE

Expert quality oil drainers, suitable for the removal of exhausted oil from motor vehicles. Oil can be discharged into the drainer via gravity or using air powered suction. Heavy duty castors make for easy manoeuvrability around the garage/workshop.

## 4.2 SPECIFICATION

Stock no. ....	66240 .....	66241 .....
Part no. ....	OD65A .....	OD90A .....
Tank capacity .....	65L .....	90L .....
Collection bowl capacity .....	10L .....	10L .....
Working pressure .....	8-10bar .....	8-10bar .....
Max. height .....	1610mm .....	1610mm .....
Min. height .....	1000mm .....	1000mm .....
Weight (empty) .....	18kg .....	23kg .....

## 4.3 HANDLING AND STORAGE

Care must still be taken when handling and lifting. Dropping this machine will have an effect on the accuracy and may also result in personal injury. This machine is not a toy and must be respected.

The environment will have a negative result on its operation if you are not careful. If the air is damp, components will rust. If the machine is unprotected from dust and debris; components will become clogged: And if not cleaned and maintained correctly or regularly the machine will not perform at its best.

# 5. HEALTH AND SAFETY INFORMATION

---

## 5.1 GENERAL SAFETY INSTRUCTIONS

**WARNING:** Ensure you read and understand these instructions carefully before operating this equipment. Make sure all Health and safety, local authority and general workshop regulations are followed when using this equipment.

- Make sure that you familiarise yourself with the process and all limitations of the oil drainers as well as their potential hazards.

**Warning:** Ensure that the oil drainers are disconnected from the air supply before changing accessories, servicing or undertaking any maintenance.

- Keep the drainer in good working condition.
- Replace or repair any damaged parts. Use genuine Draper replacement parts only. Non genuine parts may be dangerous.
- Keep the work area clean and tidy and ensure that there is adequate lighting.
- Keep the oil drainers clean for efficient and safe performance.
- Maintain correct balance and posture whilst using oil drainers. Ensure the floor is not slippery and wear non-slip shoes in case of oil spillage.

**Warning:** Whilst in the process of extracting high temperature oils, ensure that hands, face and body are well protected using suitable personal protective equipment (PPE).

- **DO NOT** extract caustic or flammable liquids whilst using the oil drainers.
- Ensure that children and unauthorised personnel are kept away from the working area.

**Warning:** Ensure correct air pressure is maintained and does not exceed its limit.

- Keep the air hose away from heat, oil or sharp edges. Check the air hose for any wear and tear before each use. Ensure that all connections are secure.
- **DO NOT** use the oil drainers for any other purpose than that of which it was designed for.
- **DO NOT** operate the oil drainers if any parts have become damaged or are missing as this may cause failure and/or personal injury.
- **DO NOT** stand on the oil drainers.
- **DO NOT** adjust or tamper with the safety valves.
- **DO NOT** transport the drainer by the hose or pull the hose from it's air supply.
- **DO NOT** place attachments close to your face (especially eyes, ears etc.) Do not point hose at other person(s) or animals.
- **DO NOT** authorise inexperienced persons to operate these oil drainers.
- **DO NOT** operate these oil drainers if you are tired or under the influence of alcohol, drugs or intoxicating medicine.
- **DO NOT** leave the oil drainers operating unattended.
- **DO NOT** direct air from the air hose at yourself or other people.
- When not in use, disconnect the oil drainer from the air supply, vent the reservoir and store in a safe, dry and childproof place.
- Dispose of any waste oil in accordance with local authority regulations.

**Warning:** **DO NOT** pollute the environment through the uncontrolled discharge of any waste oil.

**Warning:** **DO NOT** release drain pan clamp lever if there is pressure in the reservoir as pipe and drain pan will be propelled upwards with great force. This could result in damage and or risk serious injury

## 5. HEALTH AND SAFETY INFORMATION

---

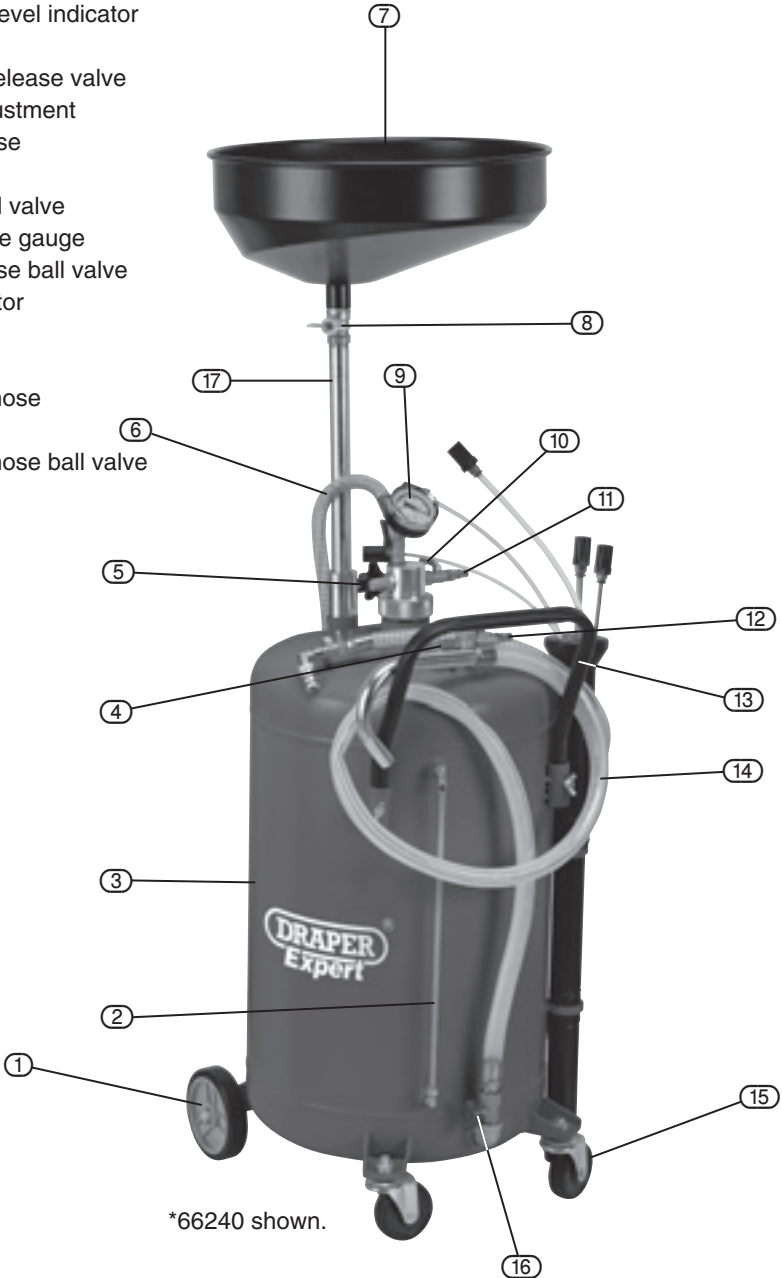
### 5.2 ADDITIONAL SAFETY INSTRUCTIONS

- Do not extract flammable liquids.
- Do not expose the reservoir to ANY source of heat.
- While extracting high temperature oils, keep hands and face well protected.
- Only use this device for the purpose for which it has been designed.
- Do not modify any component of this equipment.
- Only use Draper Tools spare parts.
- Never fill the reservoir over the maximum level indicated on the gauge.

# 6. TECHNICAL DESCRIPTION

## 6.1 IDENTIFICATION

- ① Wheel x2
- ② Reservoir level indicator
- ③ Reservoir
- ④ Pressure release valve
- ⑤ Height adjustment
- ⑥ Suction hose
- ⑦ Oil pan
- ⑧ Oil pan ball valve
- ⑨ Air pressure gauge
- ⑩ Suction hose ball valve
- ⑪ Air connector
- ⑫ Air inlet
- ⑬ Handle
- ⑭ Emptying hose
- ⑮ Castors x2
- ⑯ Emptying hose ball valve
- ⑰ Steel tube





# 7. UNPACKING AND CHECKING

## 7.1 PACKAGING

Carefully remove the machine from the packaging and examine it for any sign of damage that may have happened during shipping. Lay the contents out and check them against the parts shown below. If any part is damaged or missing; please contact the Draper Helpline (the telephone number appears on the Title page) and do not attempt to use the machine.

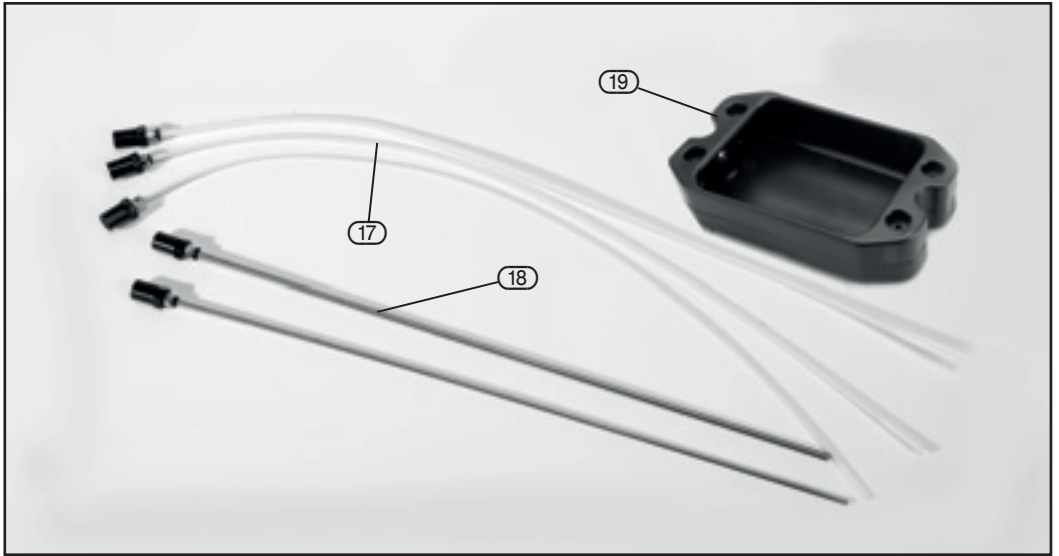
The packaging material should be retained at least during the guarantee period: in case the machine needs to be returned for repair.

**Warning!** Some of the packaging materials used may be harmful to children. Do not leave any of these materials in the reach of children.

If any of the packaging is to be thrown away, make sure they are disposed of correctly; according to local regulations.

## 7.2 WHAT'S IN THE BOX?

The packaging contains several parts and semi-assembled elements that require final assembly. Lay out the contents and check off the items against those featured below.

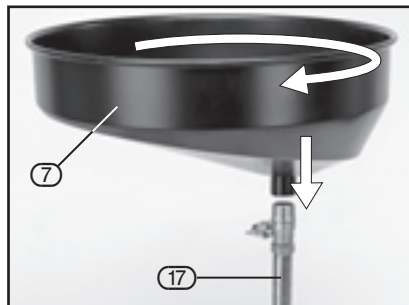


- (17) Nylon probes x 3:
  - 3.5mm Dia, flow rate of oil suction 0.8L/min approx
  - 4.5mm Dia, flow rate of oil suction 1L/min approx
  - 6.5mm Dia, flow rate of oil suction 1.6L/min approx
- (18) Metal probes x 2:
  - 4.5mm Dia, flow rate of oil suction 1.0L/min approx
  - 6.5mm Dia, flow rate of oil suction 1.6L/min approx
- (19) Collection tray

## 8. ASSEMBLING THE OIL DRAINER

### 8.1 ASSEMBLY

Attach the screw thread of the oil pan (7) to the steel tube (17) and turn clockwise until tight.



# 9. OIL DRAINER INSTRUCTION

## 9.1 COLLECTING WASTE OIL

Open the oil pan ball valve (8).

With the vehicle raised on a vehicle lift, push the oil drainer under the engine ensuring that the oil pan (7) is directly beneath the vehicle oil drain. Then unscrew the vehicle oil drain plug.

**Warning:** Ensure that the oil pan is an appropriate height and positioned correctly before opening the vehicle oil drainage plug.

DO NOT smoke or have any source of ignition near the oil drainer.



## 9.2 SETTING OIL SUCTION

Connect pressurised air (8bar) to the vacuum pump air connector (11).

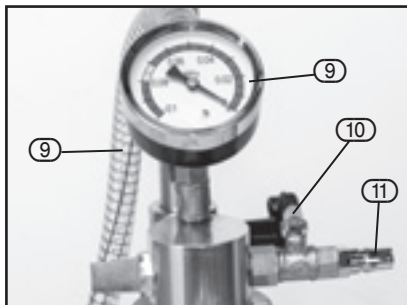
Once the gauge points to the red area on the air pressure gauge (9) (approx. 2.5-3 minutes), disconnect the pressurised air. The oil drainer will now be depressurised and ready to use.

With the vehicle engine still warm, remove the oil dipstick and insert the suitable probe down into the engine as far as possible.

Connect the suction hose (6) to the probe.

Open the suction hose ball valve (10), the oil is extracted from the sump into the chamber.

Once the oil is completely drained from the engine, close the suction hose ball valve.



## 9.3 DRAINING THE RESERVOIR

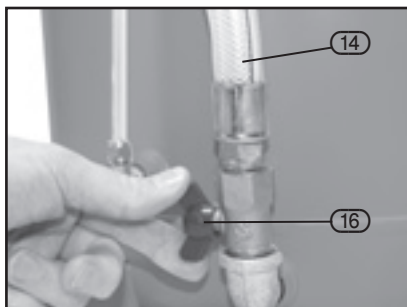
**Warning:** Ensure the oil pan ball valve is closed.

Attach the end of the emptying hose (14) to a suitable waste oil container. Connect a 0.5bar air supply to the air inlet (12) and open the emptying hose ball valve (16).

After the oil has been transferred from the reservoir tank to the waste container, close the emptying hose ball valve (16).

**Warning:** Make sure you clean up any oil spillages immediately.

Always wash your hands after completing the oil drainage process.



# 10. MAINTENANCE

---

## 10.1 MAINTENANCE

Inspect the oil drainers prior to usage. Make sure that the following are checked before each and every use.

- Leaks; if a leak has occurred, contact a qualified Draper Tools service agent for maintenance and repair. Do not use the oil drainer if any leaks are identified.
- Flexible pipe; Make sure that the pipe is connected properly before usage.

Do not store any waste oil in the reservoir for long periods of time as this will cause eventual corrosion to the oil drainer.

Wipe the oil drainer regularly with a towel or clean cloth.

Store the oil drainer in a dry, cool place away from any direct sunlight.

**Warning:** Make sure during operation that the operating temperature does not exceed 70°C. If this occurs, then shut down the oil drainer immediately and check for any possible faults. If the working temperature continues to exceed 70°C upon restarting the oil drainer, contact a qualified Draper Tools service agent.

Always ensure that the correct safety clothing (PPE) is worn during operation of the oil drainer.

# 11. DISPOSAL

---

## 11.1 DISPOSAL

- At the end of the machine's working life, or when it can no longer be repaired, ensure that it is disposed of according to national regulations.
- Contact your local authority for details of collection schemes in your area.

In all circumstances:

- Do not dispose of power tools with domestic waste.
- Do not incinerate.
- Do not abandon in the environment.
- Do not dispose of waste oil into drainage/sewage systems or into the natural environment.
- Discharge waste oil into suitably secure containers and dispose of at your local authority recycling site, or use a certified waste oil disposal contractor.





# CONTACTS

Draper Tools Limited, Hursley Road,  
Chandler's Ford, Eastleigh, Hampshire. SO53 1YF. U.K.

Helpline: (023) 8049 4344

Sales Desk: (023) 8049 4333

Internet: [drapertools.com](http://drapertools.com)

E-mail: [sales@drapertools.com](mailto:sales@drapertools.com)

General Enquiries: (023) 8026 6355

Service/Warranty Repair Agent:

For aftersales servicing or warranty repairs, please contact the  
Draper Tools Helpline for details of an agent in your local area.

YOUR DRAPER STOCKIST

DBKC0617

©Published by Draper Tools Limited.

No part of this publication may be reproduced, stored in a retrieval system or transmitted in any form or by any means, electronic, mechanical photocopying, recording or otherwise without prior permission in writing from Draper Tools Ltd.