

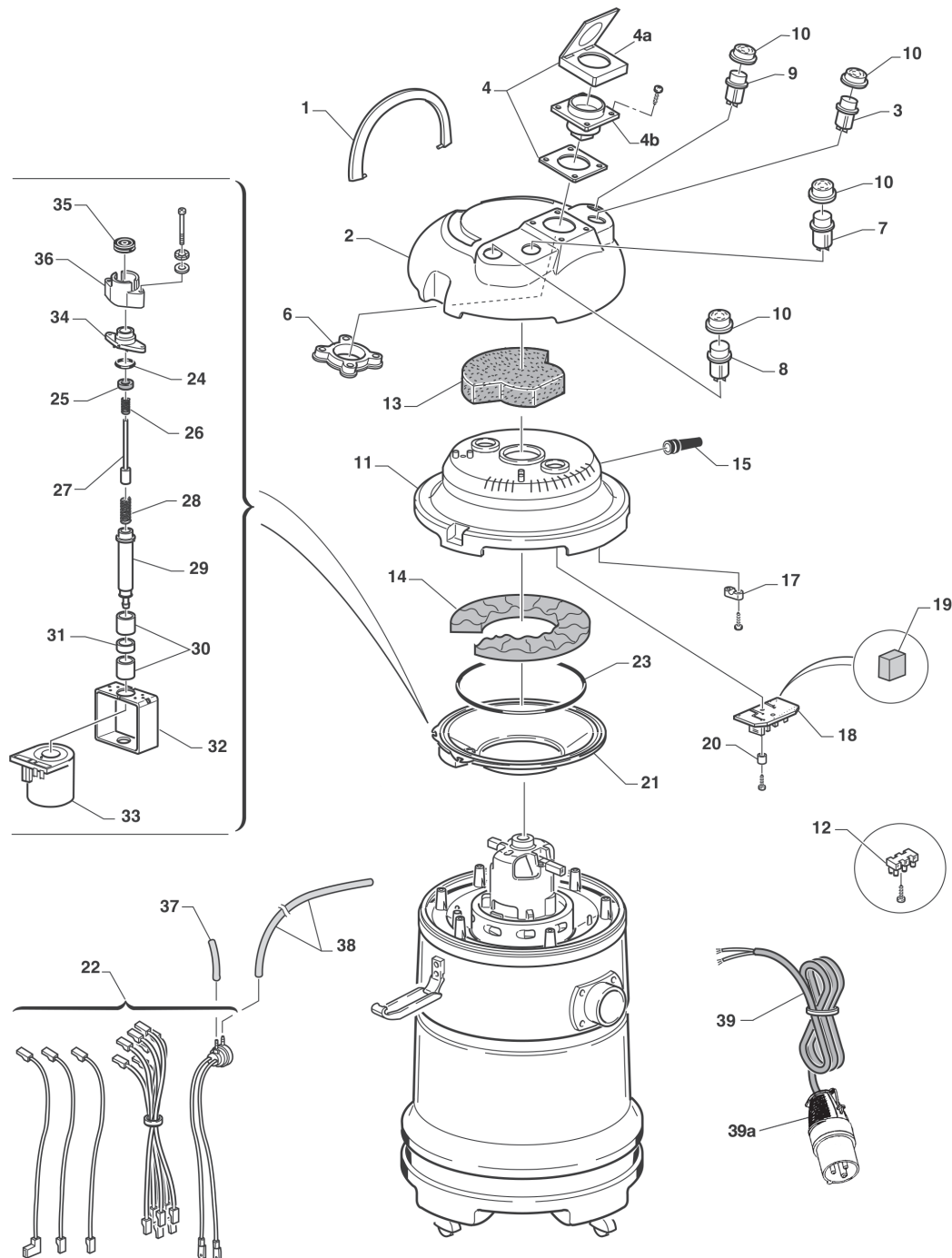


SPARE PARTS DRAWING SHEET FOR

# M Class 110V 35L Wet & Dry Vacuum Cleaner

Stock No.86685

Part No.WDV35LMC110V



Helpline: (023) 8049 4344. Sales Desk: (023) 8049 4333. General Enquiries: (023) 8026 6355.

DRAPER TOOLS LTD, HURSLEY ROAD, CHANDLER'S FORD, EASTLEIGH, HANTS. SO53 1YF. U.K website: drapertools.com e-mail: sales@drapertools.com

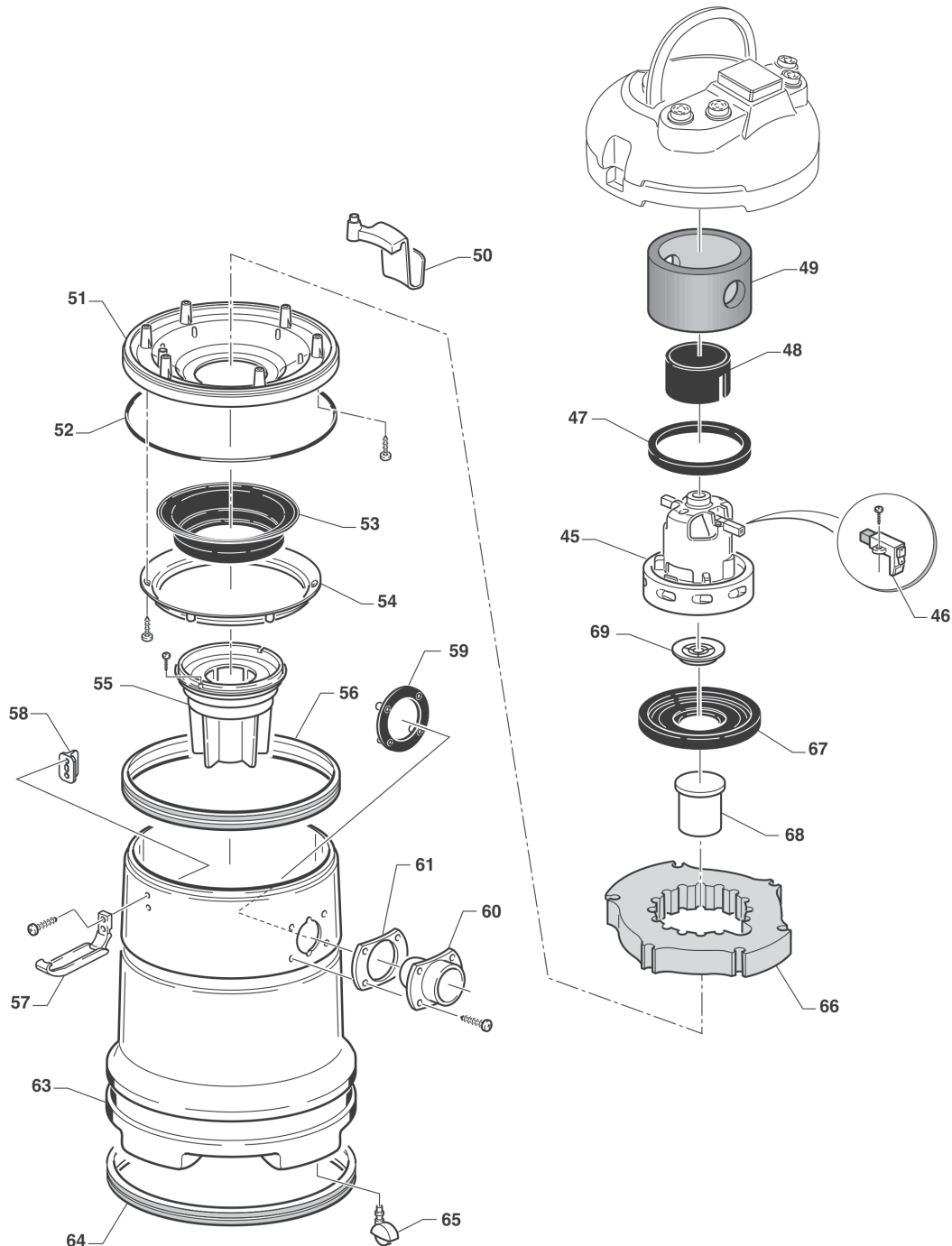


SPARE PARTS DRAWING SHEET FOR

# M Class 110V 35L Wet & Dry Vacuum Cleaner

Stock No.86685

Part No.WDV35LMC110V



**Helpline:** (023) 8049 4344. **Sales Desk:** (023) 8049 4333. **General Enquiries:** (023) 8026 6355.

DRAPER TOOLS LTD, HURSLEY ROAD, CHANDLER'S FORD, EASTLEIGH, HANTS. SO53 1YF U.K website: drapertools.com e-mail: sales@drapertools.com

JLDH0518

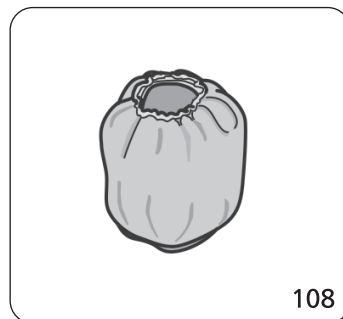
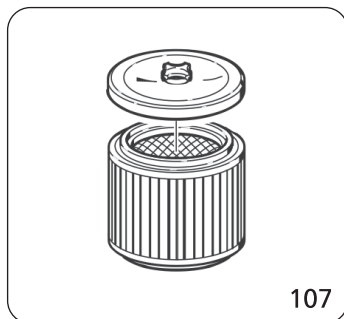
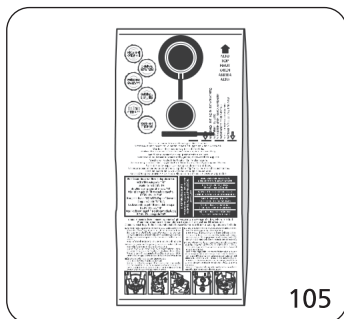
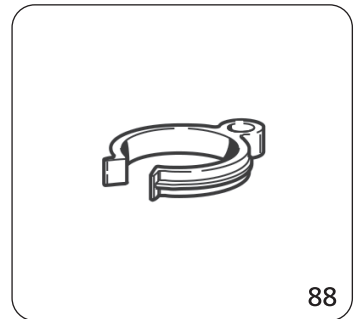
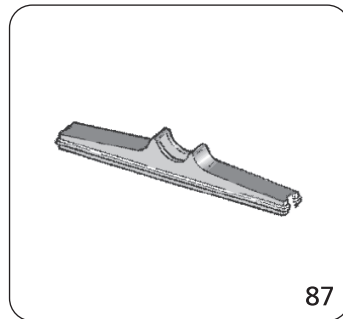
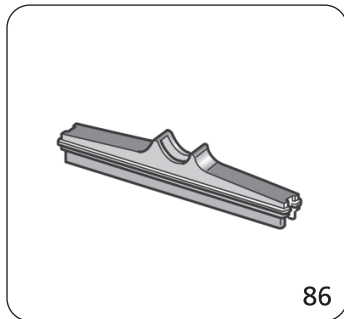
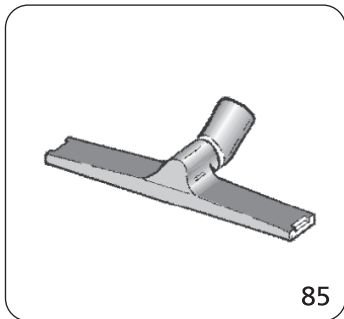
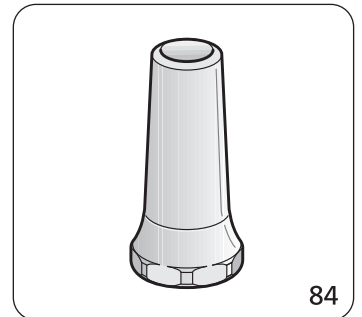
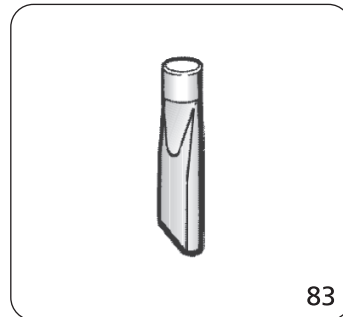
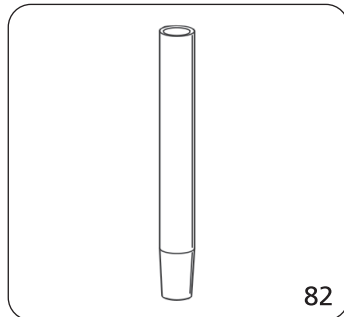
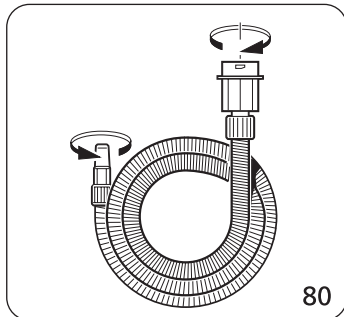


SPARE PARTS DRAWING SHEET FOR

# M Class 110V 35L Wet & Dry Vacuum Cleaner

Stock No.86685

Part No.WDV35LMC110V



**Helpline:** (023) 8049 4344. **Sales Desk:** (023) 8049 4333. **General Enquiries:** (023) 8026 6355.

DRAPER TOOLS LTD, HURSLEY ROAD, CHANDLER'S FORD, EASTLEIGH, HANTS. SO53 1YF. U.K website: drapertools.com e-mail: sales@drapertools.com



SPARE PARTS LISTING SHEET FOR

# M Class 110V 35L Wet & Dry Vacuum Cleaner

Stock No.86685

Part No.WDV35LMC110V

KEY No.	PART No.	STOCK No.	DESCRIPTION
1	YWDV35LMC-01	58596	Handle
2	YWDV35LMC-02	58602	Cover
3	YWDV35LMC-03	58603	Bipolar switch
4	YWDV35LMC110-04	15053	Seal
4a	YWDV35LMC110-04a	15054	Adaptor
4b	YWDV35LMC110-04b	15055	Socket
6	YWDV35LMC-06	58606	Lock nut for socket
7	YWDV35LMC-07	58611	Unipolar switch
8	YWDV35LMC-08	58612	Unipolar pushbutton
9	YWDV35LMC-09	58613	Indicator light
10	YWDV35LMC-10	58614	Switch Cover
11	YWDV35LMC-11	58615	Motor Cover
12	YWDV35LMC-12	58616	3-pole terminal block
13	YWDV35LMC-13	58621	Sound insulator
14	YWDV35LMC-14	58622	Silencer ring
15	YWDV35LMC-15	58623	Cable guide
17	YWDV35LMC-17	58624	Cable clamp
18	YWDV35LMC-18	58626	Electronic circuit card
19	YWDV35LMC-19	58631	Rubber vibration absorber
20	YWDV35LMC-20	58632	Rubber washer
21	YWDV35LMC-21	58633	Diaphragm
22	YWDV35LMC-22	58634	Set of Wires + pressure switch
23	YWDV35LMC-23	58641	Seal
24	YWDV35LMC-24	58642	O-ring Gasket
25	YWDV35LMC-25	58643	Disk for Shaker

KEY No.	PART No.	STOCK No.	DESCRIPTION
26	YWDV35LMC-26	58644	Series 'E' Spring
27	YWDV35LMC-27	58645	Piston for shaker
28	YWDV35LMC-28	58646	Series 'E' Large spring
29	YWDV35LMC-29	58651	Series 'E' Sleeve
30	YWDV35LMC-30	58652	Series 'E' Cylinder
31	YWDV35LMC-31	58653	Series 'E' spacer
32	YWDV35LMC-32	58654	Series 'E' reinforcement
33	YWDV35LMC-33	58655	Series 'E' coil
34	YWDV35LMC-34	58656	Series 'E' flange
35	YWDV35LMC-35	58661	Hammer Pin seal
36	YWDV35LMC-36	58662	Spacer bushing
37	YWDV35LMC-37	58663	Ø3x6x25 silicone tube
38	YWDV35LMC-38	58664	Ø3x6x95 silicone tube
39	YWDV35LMC110-39	15056	Power cable
39a	YWDV35LMC110-39a	15057	Plug
45	YWDV35LMC110-45	35911	Motor
46	YWDV35LMC-46	58671	Insert and brush
47	YWDV35LMC-47	58672	Seal
48	YWDV35LMC-48	58673	Flow separator
50	YWDV35LMC-50	58675	Cable hook
51	YWDV35LMC-51	58676	Motor support
52	YWDV35LMC-52	58678	Semi-round seal
53	YWDV35LMC-53	58680	Basket seal
54	YWDV35LMC-54	58681	Cowl fastener ring
55	YWDV35LMC-55	58997	Cartridge basket

**Helpline: (023) 8049 4344. Sales Desk: (023) 8049 4333. General Enquiries: (023) 8026 6355.**

DRAPER TOOLS LTD, HURSLEY ROAD, CHANDLER'S FORD, EASTLEIGH, HANTS. SO53 1YF. U.K website: drapertools.com e-mail: sales@drapertools.com



SPARE PARTS LISTING SHEET FOR

# M Class 110V 35L Wet & Dry Vacuum Cleaner

Stock No.86685

Part No.WDV35LMC110V

KEY No.	PART No.	STOCK No.	DESCRIPTION
56	YWDV35LMC-56	58998	Bumper strip 96cm
57	YWDV35LMC-57	58999	Hinge
58	YWDV35LMC-58	59040	Hinge support
59	YWDV35LMC-59	59079	Locking Ring
60	YWDV35LMC-60	59081	Air inlet connector
61	YWDV35LMC-61	59082	Gasket
63	YWDV35LMC-63	59090	35 Litre drum
64	YWDV35LMC-64	59092	Bumper strip 112cm
65	YWDV35LMC-65	59093	Wheel
66	YWDV35LMC110-66	15058	Sound insulation
67	YWDV35LMC-67	59095	Motor support seal
68	YWDV35LMC-68	59096	Float

KEY No.	PART No.	STOCK No.	DESCRIPTION
69	YWDV35LMC-69	59097	Protection grill
80	AMVC1	50965	Hose
82	ASVC6	27947	Extension tube
83	ASVC9	27952	Crevice nozzle
84	ASVC5	50969	Reducing adaptor
85	ASVC2	50966	Floor head
86	ASVC4	50968	Fluid insert
87	ASVC3	50967	Brush insert
88	ASVC15	27959	Clip
105	AMVC6	50970	Dust bag
107	AMVC7	50971	M class filter with cap
108	ASVC23	59165	Foam filter

**Helpline:** (023) 8049 4344. **Sales Desk:** (023) 8049 4333. **General Enquiries:** (023) 8026 6355.

DRAPER TOOLS LTD, HURSLEY ROAD, CHANDLER'S FORD, EASTLEIGH, HANTS. SO53 1YF. U.K website: drapertools.com e-mail: sales@drapertools.com

JLDH0518